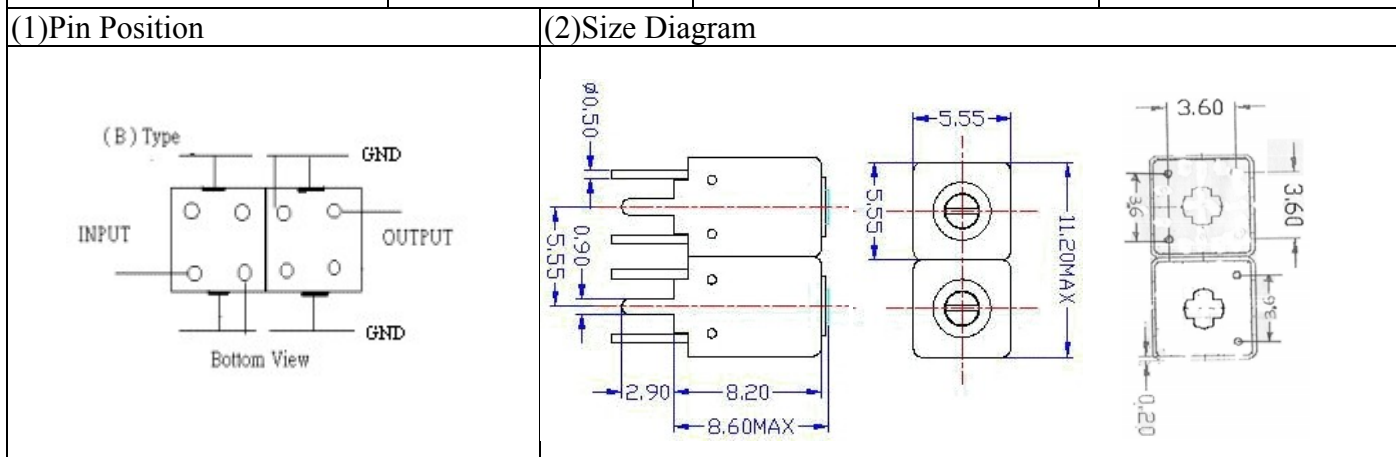


VHF UHF Helical Filter Specification Sheet

Customer Name		Temwell's Part No.	TDW2520B-1975M
Approval No. /dated	20208041APR	Acceptable Specify Fo Range	1951~2000 MHZ
Work Instruction No.	20208041DC	Date	Oct.12.2006



(3) Electric Characteristic

Item	Specify	Performance	
Center Freq.(Fo) +/- 0.5 %	1975 MHz	1975 MHz	
Tunable Range:	1975±5 MHz	1975±5 MHz	
Insertion Loss	Typ. 5.5 dB	4.55 dB	
-3 dB Bandwidth	Typ. 58 MHz	68 MHz	
Sensitivity (Attenuation)	Fo - 150 MHz	Typ. 7 dBc	10 dBc
	Fo + 150 MHz	Typ. 11 dBc	14 dBc
	Fo - ()MHz	Typ. dBc	dBc
	Fo + ()MHz	Typ. dBc	dBc
Return Loss	Min. 12 dB	28.1 dB	
Ripple	< 1 dB	dB	
Impedance	In / Out : 50 Ω	In / Out : 50 Ω	

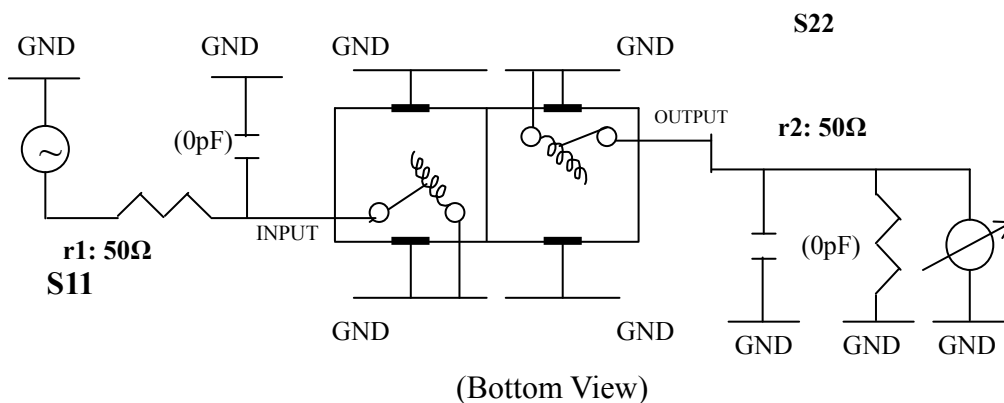
(4) Torque for Tuning Screw > 60gf · cm

(5) Temperature Condition:

Operating Temperature	0°C ~ +70°C
Storage Temperature	-20°C ~ +80°C

(6) Input Power > 0.5Watt

(7) Measuring Circuit: ※Easy to match Impedance 50Ω/ by parallel with about (0) pF.



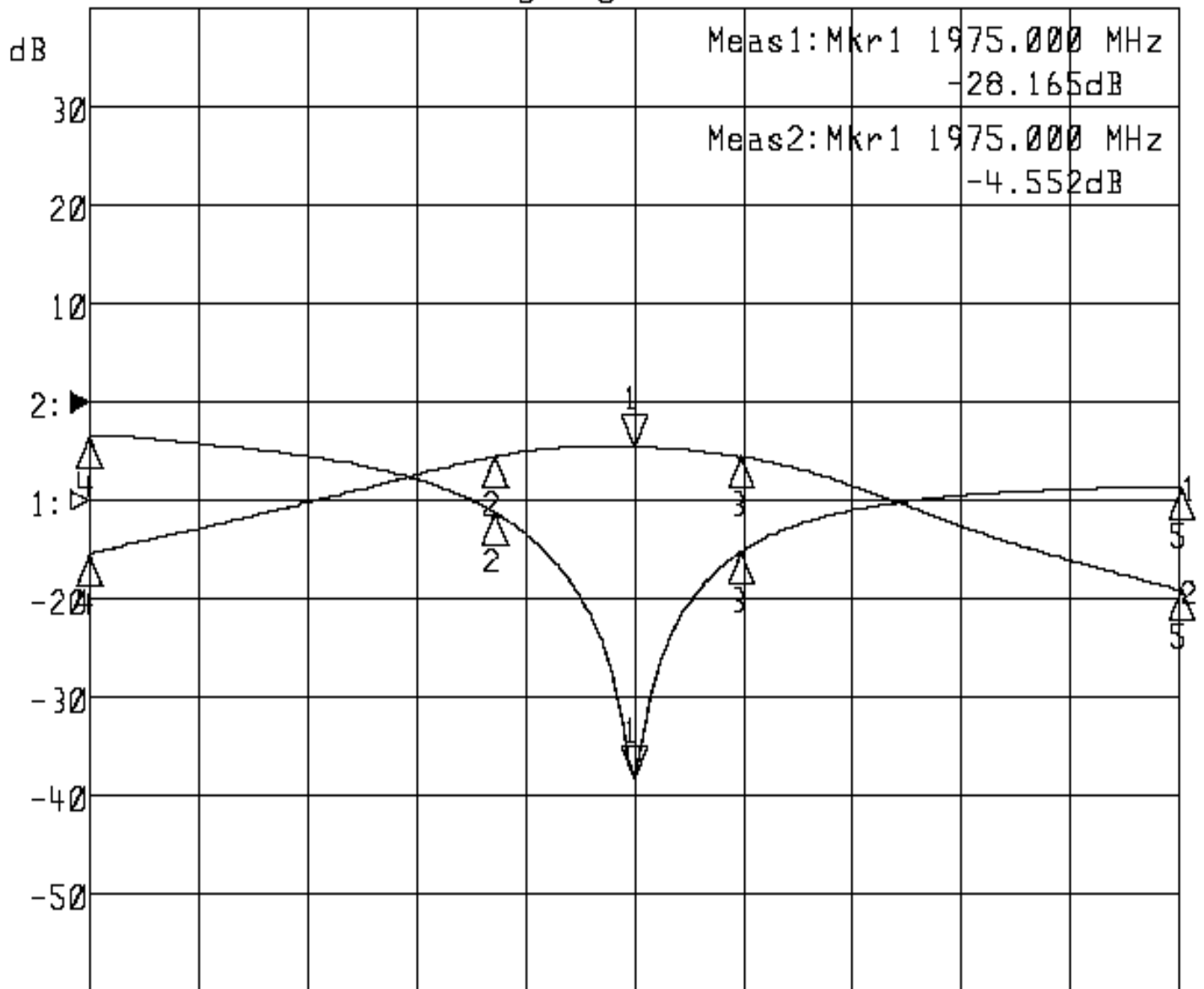
Approval	Supervisor	Designer	Aperture size
C.Y.Chang	C.S.Chang	Enlan	5w2(3.8*4.6) 5HW024RB3

TEMWELL CORPORATION

Performance-TDW2520B-1975M

20208041DC

►1:S11 Refl Port1 Log Mag 10.0 dB/ Ref 0.00 dB C
►2:S21 Fwd Trans Log Mag 10.0 dB/ Ref 0.00 dB C



Center 1 975.000 MHz

Span 300.000 MHz

1: Mkr (MHz)	dB	2: Mkr (MHz)	dB
1> 1975.0000	-28.165	1> 1975.0000	-4.552
2: 1936.6000	-1.196	2: 1936.6000	-5.547
3: 2004.6000	-5.157	3: 2004.6000	-5.576
4: 1825.0000	6.589	4: 1825.0000	-15.456
5: 2125.0000	1.356	5: 2125.0000	-19.123