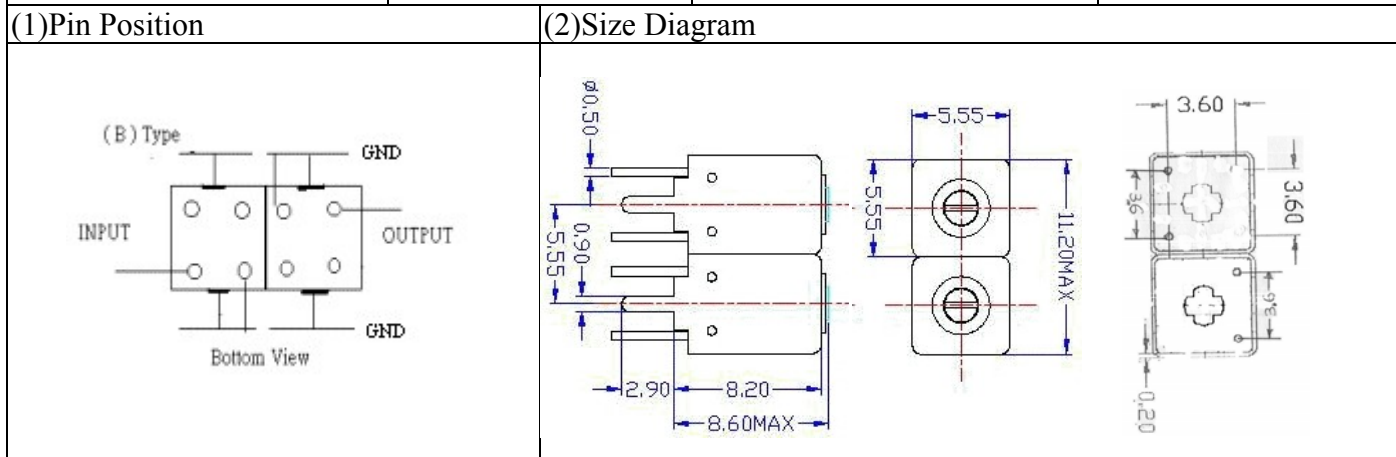


VHF UHF Helical Filter Specification Sheet

Customer Name		Temwell's Part No.	TDW2536B-2450M
Approval No. /dated	043055C	Temwell's print Name.	2536B 2450M
Work Instruction No.	20403055C	Date	Feb.01.2009



(3)Electric Charasteric

Item	Specify	Performance	
Center Freq.(Fo) +/- 0.5 %	2450 MHz	2450 MHz	
Tunable Range:	2450±5 MHz	2450±5 MHz	
Insertion Loss	Typ. 2.0 dB	2.49 dB	
-3 dB Bandwidth	Typ. 100 MHz	107.9 MHz	
Sensitivity (Attenuation)	Fo - 450 MHz	Typ. 41 dBc	44 dBc
	Fo + 450 MHz	Typ. 27 dBc	30 dBc
	Fo - ()MHz	Typ. dBc	dBc
	Fo +()MHz	Typ. dBc	dBc
Return Loss	Min. 12 dB	22.5 dB	
Ripple	< 1 dB	dB	
Impedance	In / Out : 50 Ω	In / Out : 50 Ω	

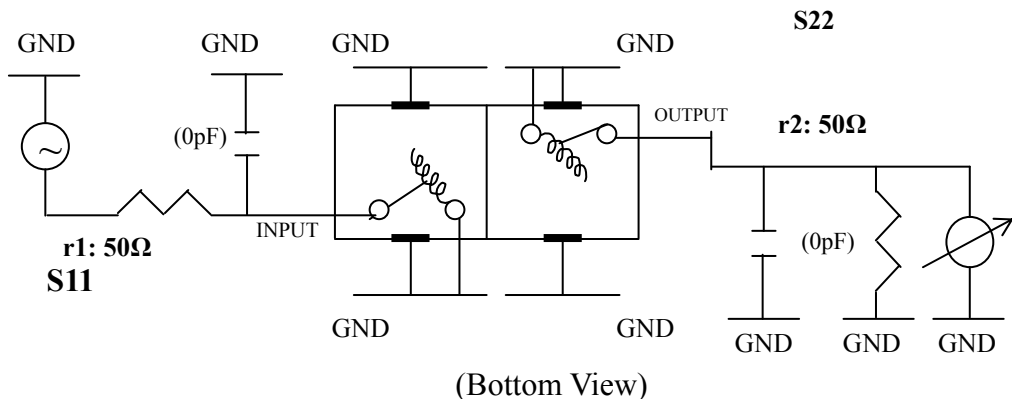
(4)Torque for Tuning Screw > 60gf · cm

(5)Temperature Condition:

Operating Temperature	0°C ~ +60°C
Storage Temperature	-20°C ~ +70°C

(6)Input Power > 0.5Watt

(7)Measuring Circuit: ※Easy to match Impedance 50Ω by parallel with about (0pF)/(0pF)



Approval	Supervisor	Designer	Aperture size
C.Y.Chang	C.S.Chang	P.H.Chiang	5W2S(3.8*3.5)(3.55) 5HW046RB3.2

TEMWELL CORPORATION

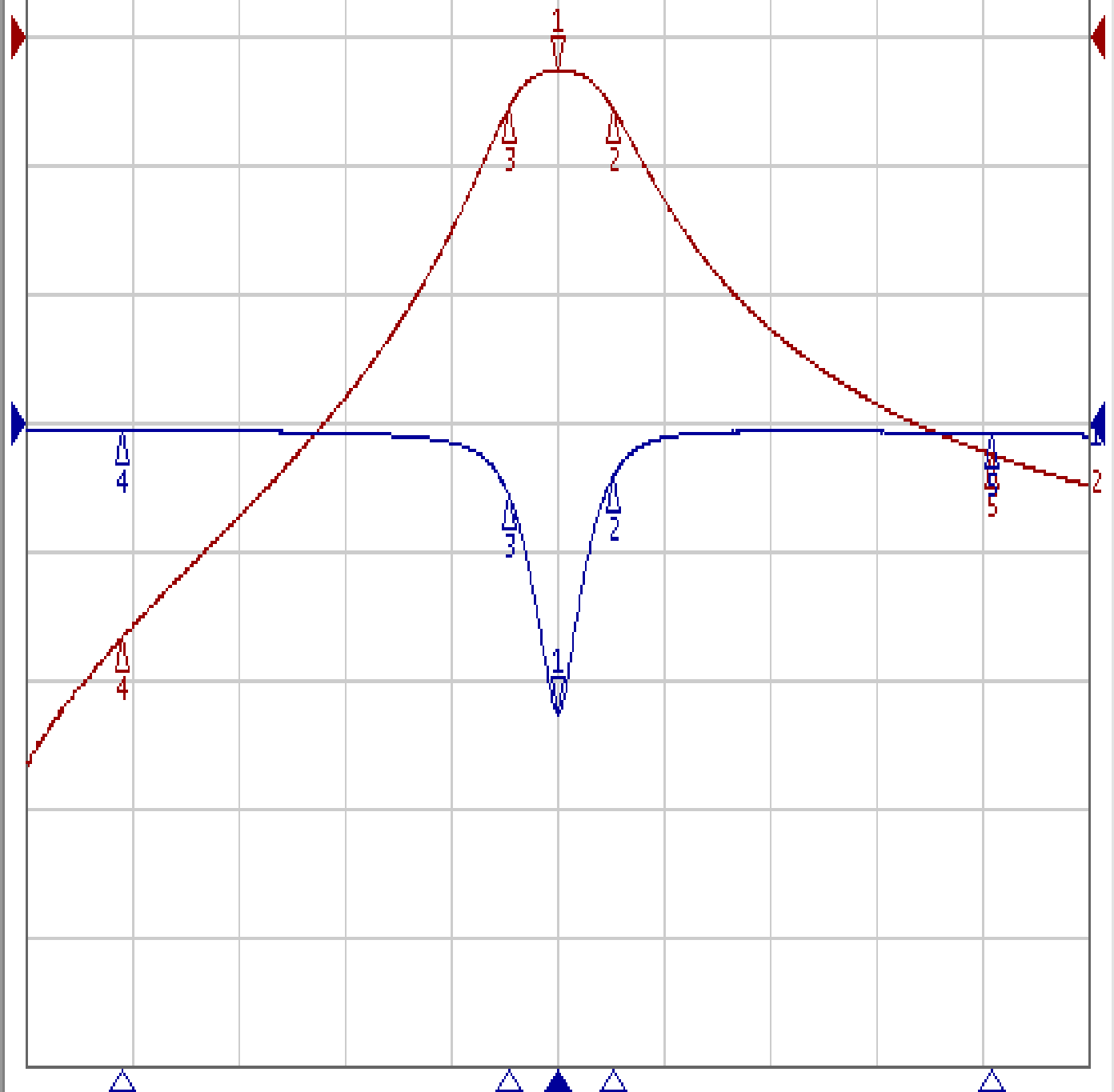
Performance-TDW2536B-2450M

20403055C

Tr1 S11 Log Mag 10.00dB/ Ref 0.000dB [F2]
Tr2 S21 Log Mag 10.00dB/ Ref 0.000dB [F2]

>1	2.4500000	GHz	-22.502	dB
2	2.5077060	GHz	-4.1629	dB
3	2.3998162	GHz	-5.5453	dB
4	2.0000000	GHz	-0.5143	dB
5	2.9000000	GHz	-0.7484	dB

1	2.4500000	GHz	-2.4957	dB
2	2.5077060	GHz	-5.5220	dB
3	2.3998162	GHz	-5.4744	dB
4	2.0000000	GHz	-46.637	dB
5	2.9000000	GHz	-32.446	dB



1 Center 2.45 GHz

IFBW 10 kHz

Span 1.1 GHz Cor !