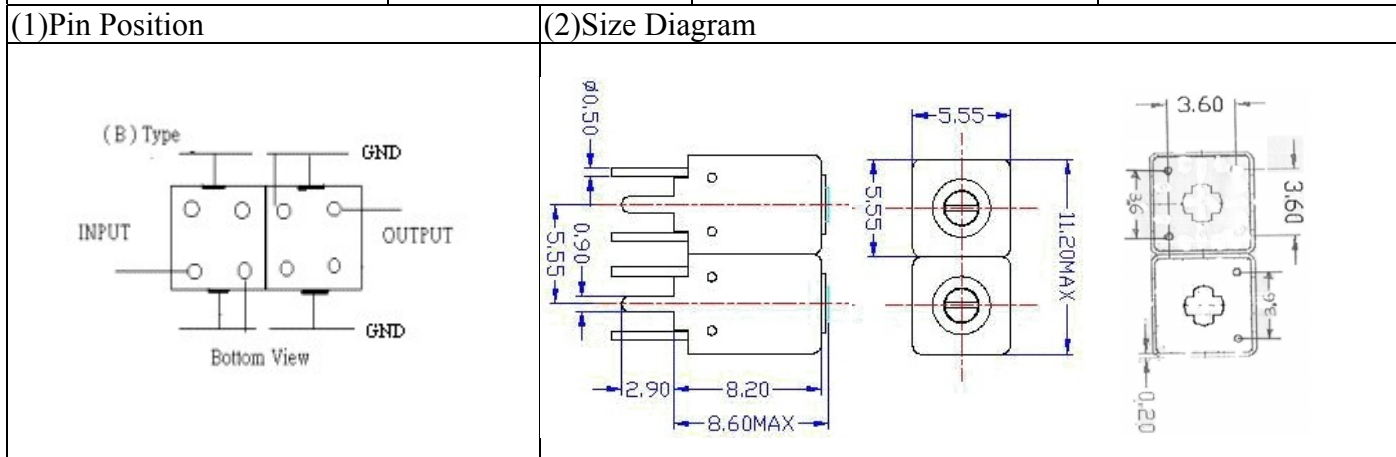


VHF UHF Helical Filter Specification Sheet

Customer Name		Temwell's Part No.	TDW2542B-1765M
Approval No. /dated	209011DC	Temwell's print Name.	2542B 1765M
Work Instruction No.	20209011DC	Date	Feb.02.2009



(3)Electric Charasteric

Item	Specify	Performance	
Center Freq.(Fo) +/- 0.5 %	1765 MHz	1765 MHz	
Tunable Range:	1765±5 MHz	1765±5 MHz	
Insertion Loss	Typ. 3.0 dB	2.61 dB	
-3 dB Bandwidth	Typ. 38 MHz	56.1 MHz	
Sensitivity (Attenuation)	Fo - 100 MHz	Typ. 18 dBc	21 dBc
	Fo + 100 MHz	Typ. 16 dBc	19 dBc
	Fo - ()MHz	Typ. dBc	dBc
	Fo +()MHz	Typ. dBc	dBc
Return Loss	Min. 12 dB	26.7 dB	
Ripple	< 1 dB	dB	
Impedance	In / Out : 50 Ω	In / Out : 50 Ω	

(4)Torque for Tuning Screw

(4)Torque for Tuning Screw	> 60gf · cm
----------------------------	-------------

(5)Temperature Condition:

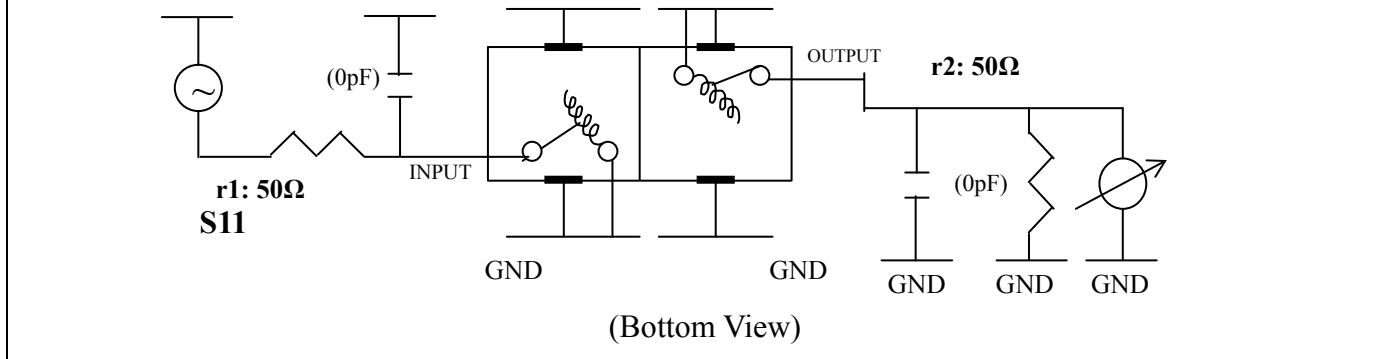
Operating Temperature	0°C ~ +60°C
-----------------------	-------------

Storage Temperature	-20°C ~ +70°C
---------------------	---------------

(6)Input Power

(6)Input Power	> 0.5Watt
----------------	-----------

(7)Measuring Circuit: ※Easy to match Impedance 50Ω by parallel with about (0pF)/(0pF)



Approval C.Y.Chang	Supervisor C.K.Chang	Designer P.H.Chiang	Aperture size 5W2S(3.8*4.0)(4.05) 5HW024RB3
-----------------------	-------------------------	------------------------	---

TEMWELL CORPORATION

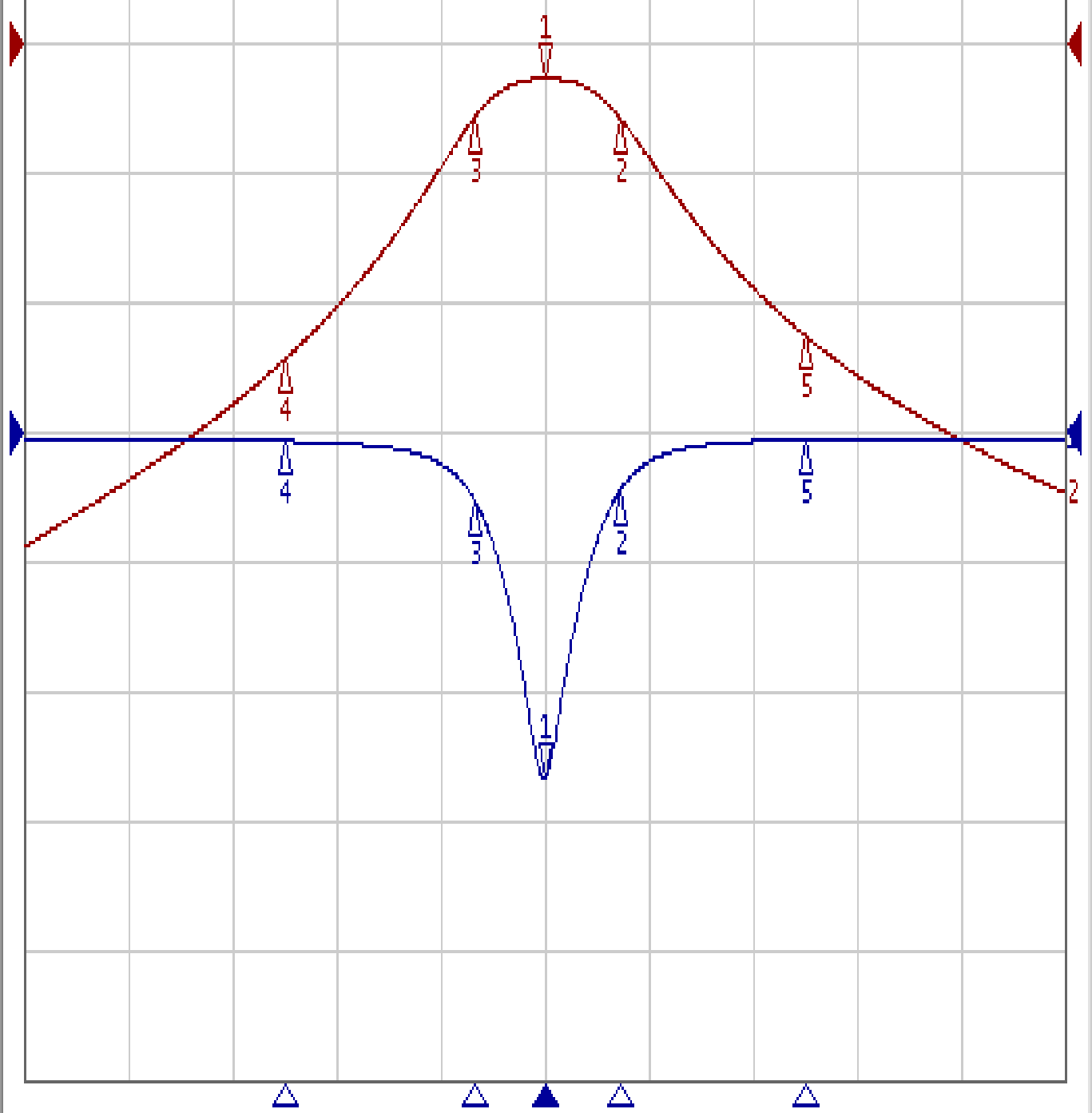
Performance-TDW2542B-1765M

20209011DC

▶ Tr1 S11 Log Mag 10.00dB/ Ref 0.000dB [F2]
Tr2 S21 Log Mag 10.00dB/ Ref 0.000dB [F2]

>1	1.7650000	GHz	-26.707	dB
2	1.7939073	GHz	-4.4586	dB
3	1.7378607	GHz	-5.1514	dB
4	1.6650000	GHz	-0.6359	dB
5	1.8650000	GHz	-0.5339	dB

1	1.7650000	GHz	-2.6172	dB
2	1.7939073	GHz	-5.6706	dB
3	1.7378607	GHz	-5.6693	dB
4	1.6650000	GHz	-24.324	dB
5	1.8650000	GHz	-22.478	dB



1 Center 1.765 GHz

IFBW 10 kHz

Span 400 MHz

Cor !