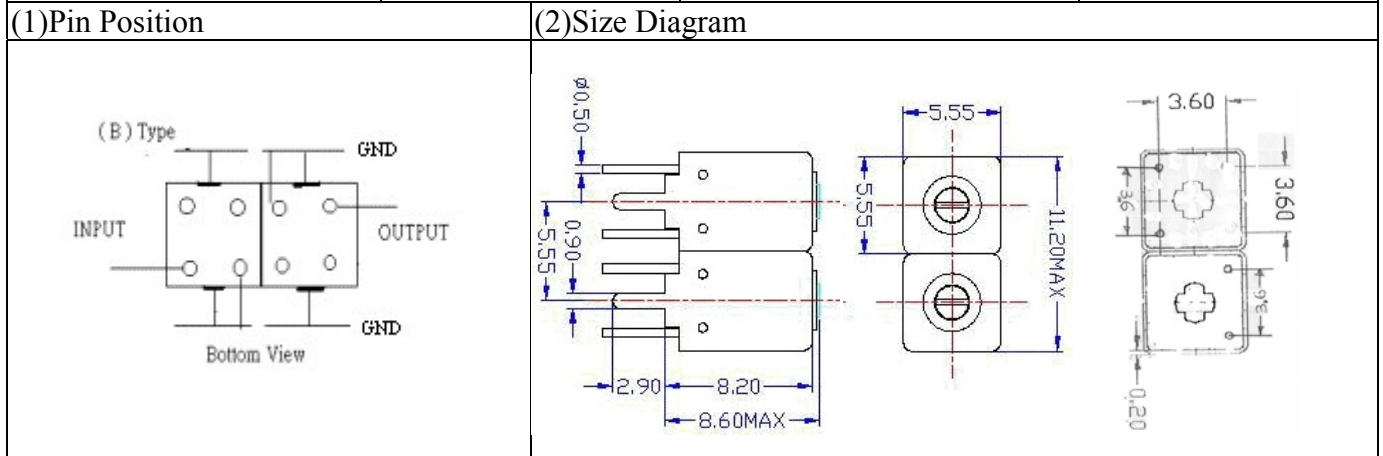


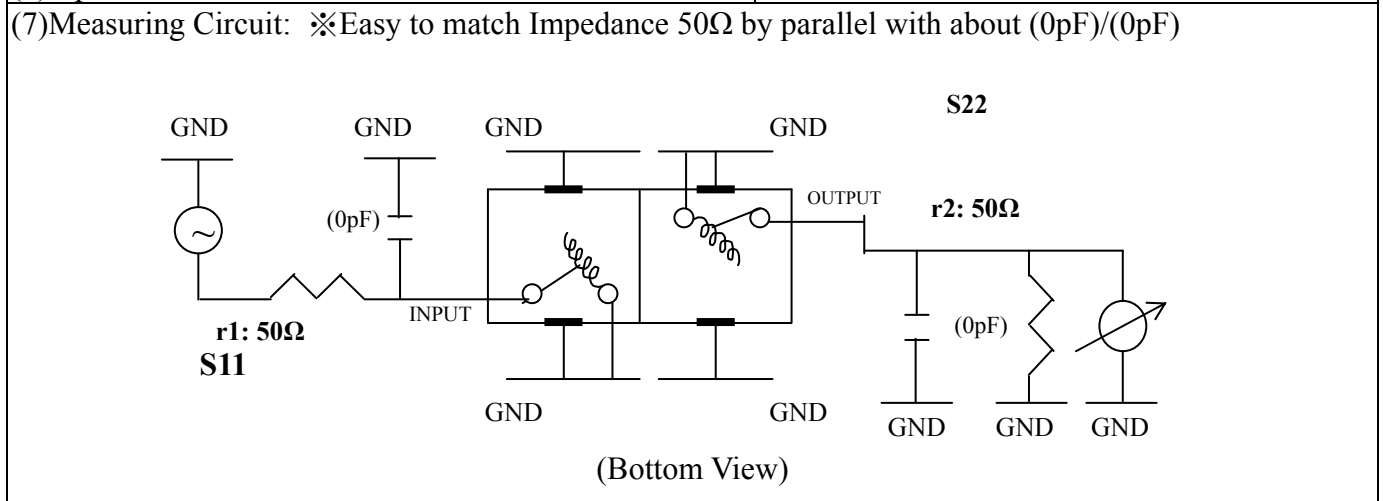
# VHF UHF Helical Filter Specification Sheet

Customer Name		Temwell's Part No.	TDW2557B-1316.8M
Approval No. /dated	112044DC	Temwell's print Name.	2557B 1316.8M
Work Instruction No.	20112044DC	Date	Feb.02.2009



(3) Electric Characteristic			
Item	Specify	Performance	
Center Freq.(Fo) +/- 0.5 %	1316.8 MHz	1316.8	MHz
Tunable Range:	1316.8±10 MHz	1316.8±10	MHz
Insertion Loss	Typ. 4.0 dB	3.22	dB
-3 dB Bandwidth	Typ. 23 MHz	36.8	MHz
Sensitivity (Attenuation)	Fo - 100 MHz	Typ. 27	dBc
	Fo + 100 MHz	Typ. 23	dBc
	Fo - ( )MHz	Typ.	dBc
	Fo + ( )MHz	Typ.	dBc
Return Loss	Min. 12 dB	25.7	dB
Ripple	< 1 dB		dB
Impedance	In / Out : 50 Ω	In / Out : 50 Ω	

(4) Torque for Tuning Screw		> 60gf · cm
(5) Temperature Condition:		
Operating Temperature	0°C ~ +60°C	
Storage Temperature	-20°C ~ +70°C	
(6) Input Power	> 0.5Watt	



Approval C.Y.Chang	Supervisor C.K.Chang	Designer P.H.Chiang	Aperture size 5W2S(3.8*3.5)(3.54) 5HW024RB3
TEMWELL CORPORATION			

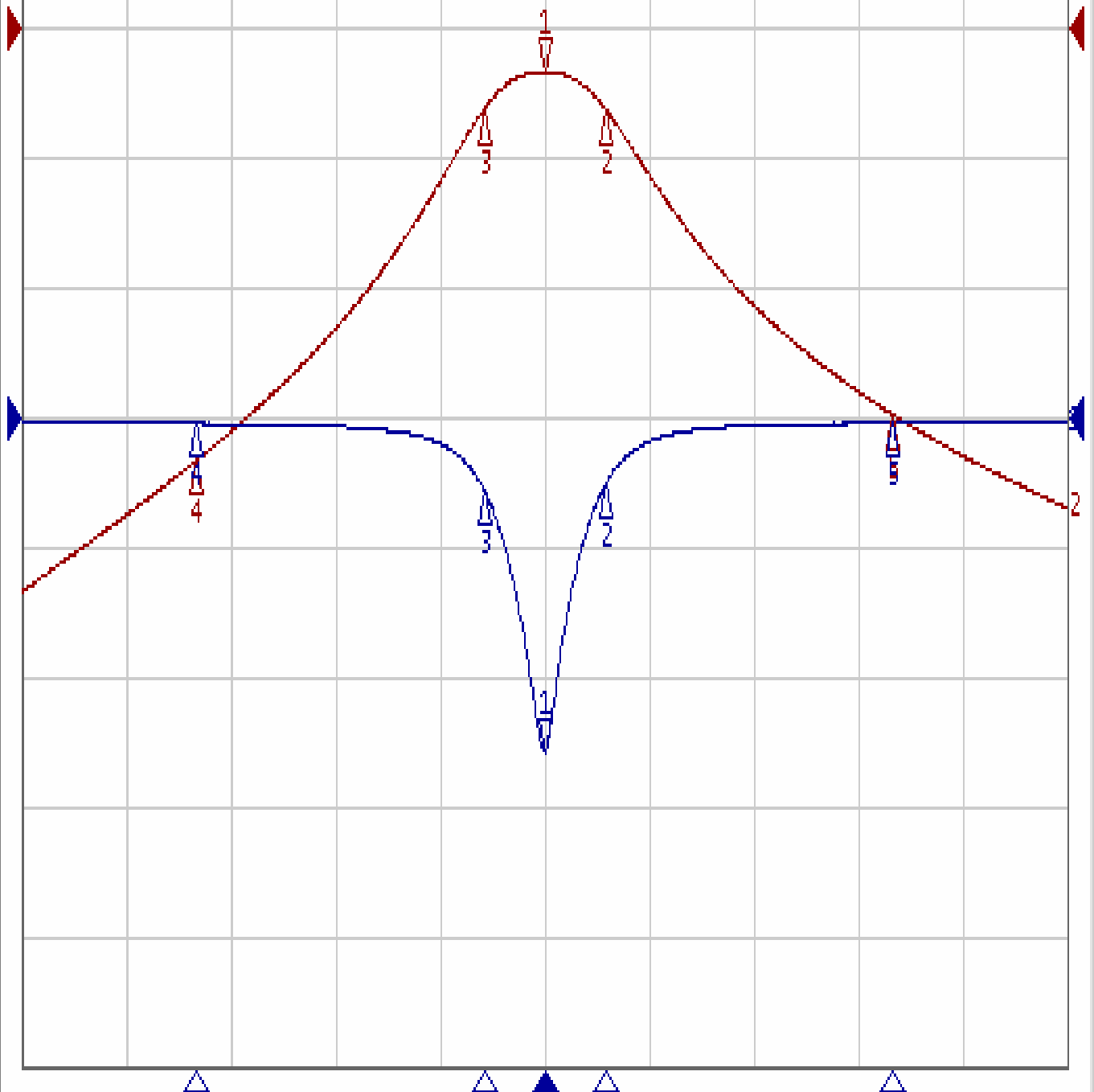
# Performance-TDW2557B-1316.8M

## 20112044DC

▶ Tr1 S11 Log Mag 10.00dB/ Ref 0.000dB [F2]  
Tr2 S21 Log Mag 10.00dB/ Ref 0.000dB [F2]

>1	1.3168000	GHz	-25.731	dB
2	1.3343395	GHz	-5.0322	dB
3	1.2995105	GHz	-5.5845	dB
4	1.2168000	GHz	-0.3914	dB
5	1.4168000	GHz	-0.3655	dB

1	1.3168000	GHz	-3.2282	dB
2	1.3343395	GHz	-6.1828	dB
3	1.2995105	GHz	-6.1249	dB
4	1.2168000	GHz	-33.262	dB
5	1.4168000	GHz	-29.724	dB



1 Center 1.3168 GHz

IFBW 10 kHz

Span 300 MHz Cor !