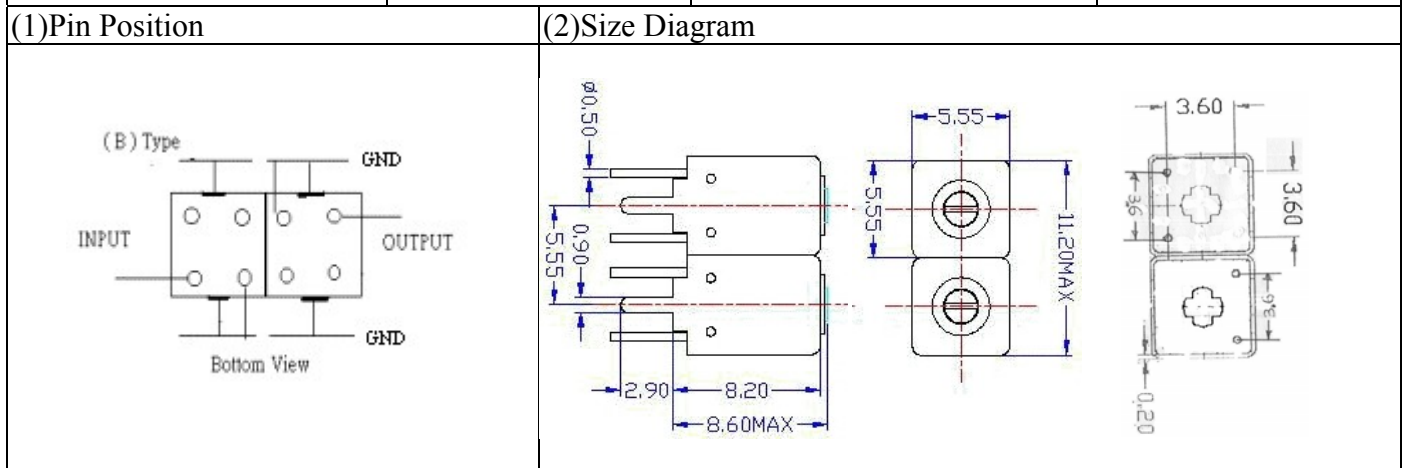


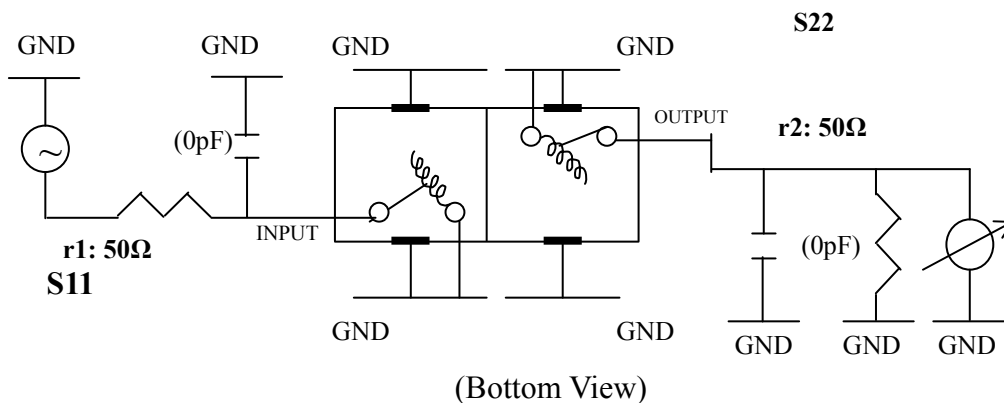
VHF UHF Helical Filter Specification Sheet

Customer Name		Temwell's Part No.	TDW2578B-1325M
Approval No. /dated	0904022CD	Temwell's print Name.	2578B 1325M
Work Instruction No.	200904022CD	Date	Jul.17.2009



(3) Electric Characteristic		Specify	Performance
Item			
Center Freq.(Fo) +/- 0.5 %		1325 MHz	1325 MHz
Insertion Loss		Typ. 2.5 dB	1.83 dB
-3 dB Bandwidth		Typ. 40 MHz	51.0 MHz
Sensitivity (Attenuation)	Fo - 100 MHz	Typ. 21 dBc	25 dBc
	Fo + 100 MHz	Typ. 17 dBc	21 dBc
	Fo - ()MHz	Typ. dBc	dBc
	Fo +()MHz	Typ. dBc	dBc
Return Loss		Min. 12 dB	35.8 dB
Ripple		< 1 dB	dB
Impedance		In / Out : 50 Ω	In / Out : 50 Ω
(4) Torque for Tuning Screw		> 60gf · cm	
(5) Temperature Condition:			
Operating Temperature		0°C ~ +60°C	
Storage Temperature		-20°C ~ +70°C	
(6) Input Power		> 0.5Watt	

(7) Measuring Circuit: ※Easy to match Impedance 50Ω by parallel with about (0pF)/(0pF)

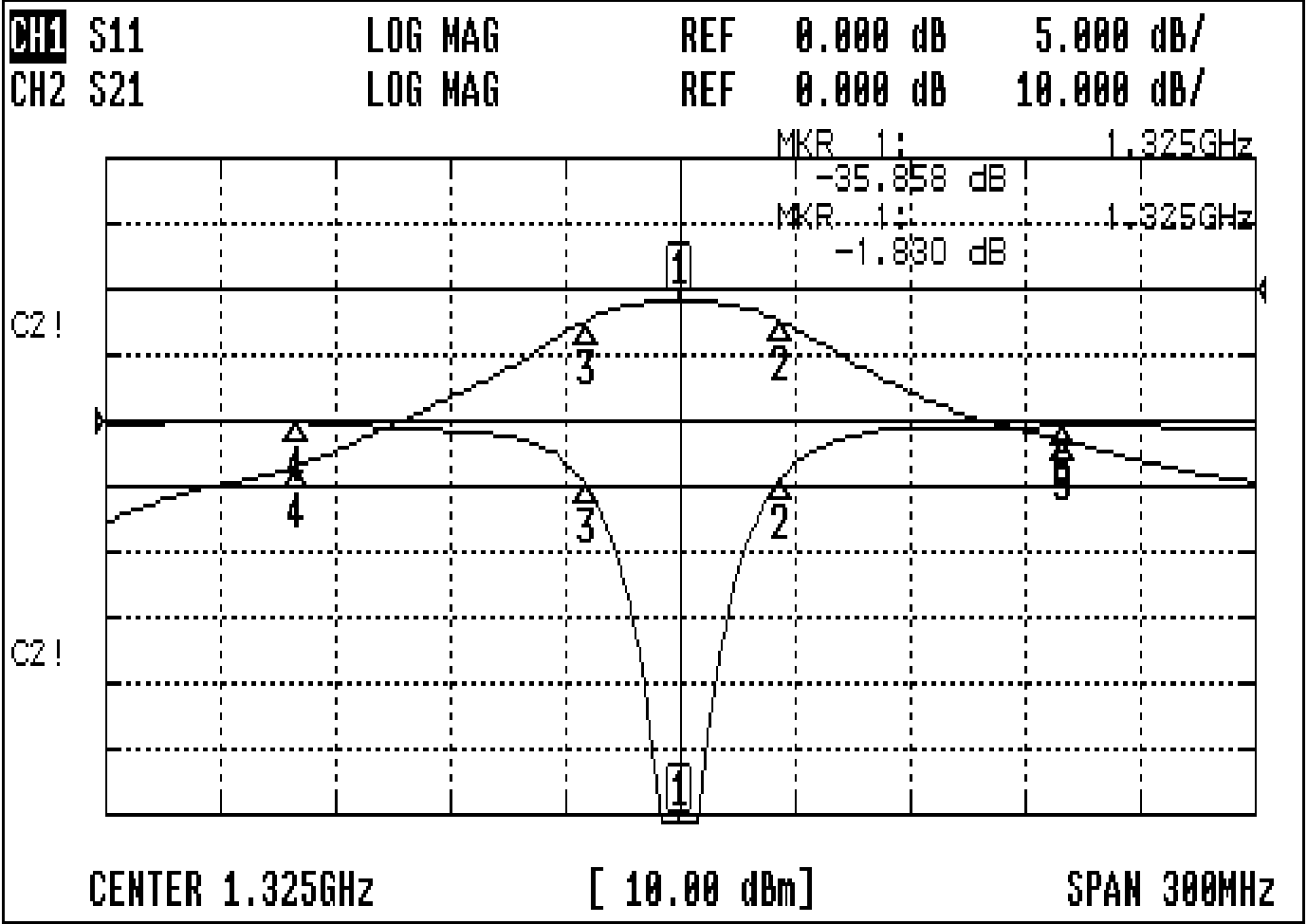


Approval	Supervisor	Designer	Aperture size
C.Y.Chang	C.K.Chang	Y.H.Yeh	5W2S(3.8*4.0)(4.08) 5HW024RB3

TEMWELL CORPORATION

Performance-TDW2578B-1325M

200904022CD



CH1 MARKER LIST

Marker	Freq (GHz)	Magnitude (dB)
1	1.325000	-35.858
2	1.351200	-4.487
3	1.300200	-4.803
4	1.225000	-0.104
5	1.425000	-0.342

CH2 MARKER LIST

Marker	Freq (GHz)	Magnitude (dB)
1	1.325000	-1.830
2	1.351200	-4.001
3	1.300200	-4.004
4	1.225000	-26.939
5	1.425000	-22.927