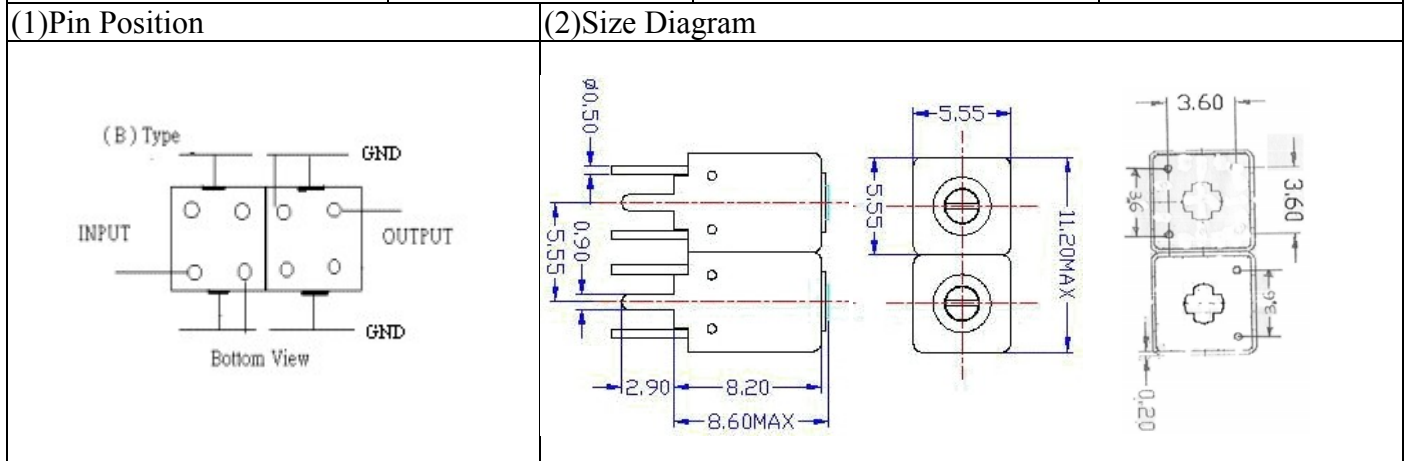


VHF UHF Helical Filter Specification Sheet

Customer Name		Temwell's Part No.	TDW2582B-1425M
Approval No. /dated	20111114APR	Acceptable Specify Fo Range.	1401~1450 MHz
Work Instruction No.	20111114DC	Date	Oct.12.2006



(3) Electric Characteristic

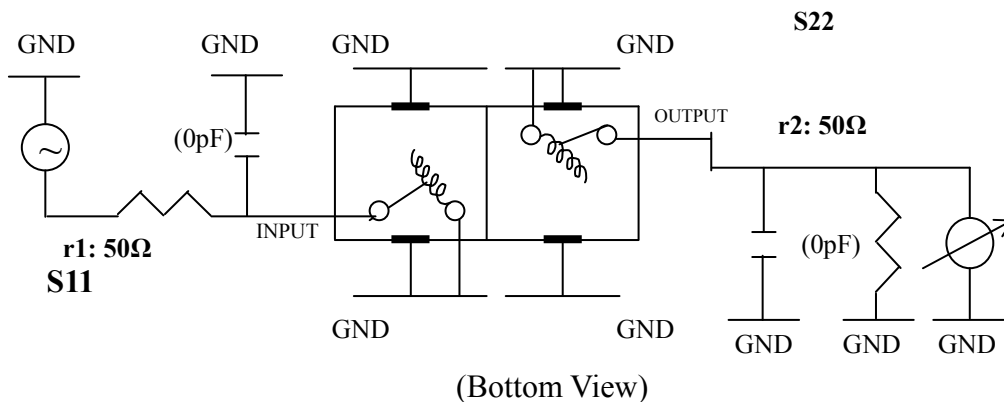
Item	Specify	Performance	
Center Freq.(Fo) +/- 0.5 %	1425 MHz	1425 MHz	
Tunable Range:	1425±5 MHz	1425±5 MHz	
Insertion Loss	Typ. 3.5 dB	5.72 dB	
-3 dB Bandwidth	Typ. 41 MHz	48 MHz	
Sensitivity (Attenuation)	Fo - 100 MHz	Typ. 19 dBc	22 dBc
	Fo + 100 MHz	Typ. 16 dBc	19 dBc
	Fo - ()MHz	Typ. dBc	dBc
	Fo +()MHz	Typ. dBc	dBc
Return Loss	Min. 12 dB	23.6 dB	
Ripple	< 1 dB	dB	
Impedance	In / Out : 50 Ω	In / Out : 50 Ω	
(4) Torque for Tuning Screw	> 60gf • cm		

(5) Temperature Condition:

Operating Temperature	0°C ~ +60°C
Storage Temperature	-20°C ~ +70°C

(6) Input Power > 0.5Watt

(7) Measuring Circuit: ※Easy to match Impedance 50Ω/ by parallel with about (0) pF.



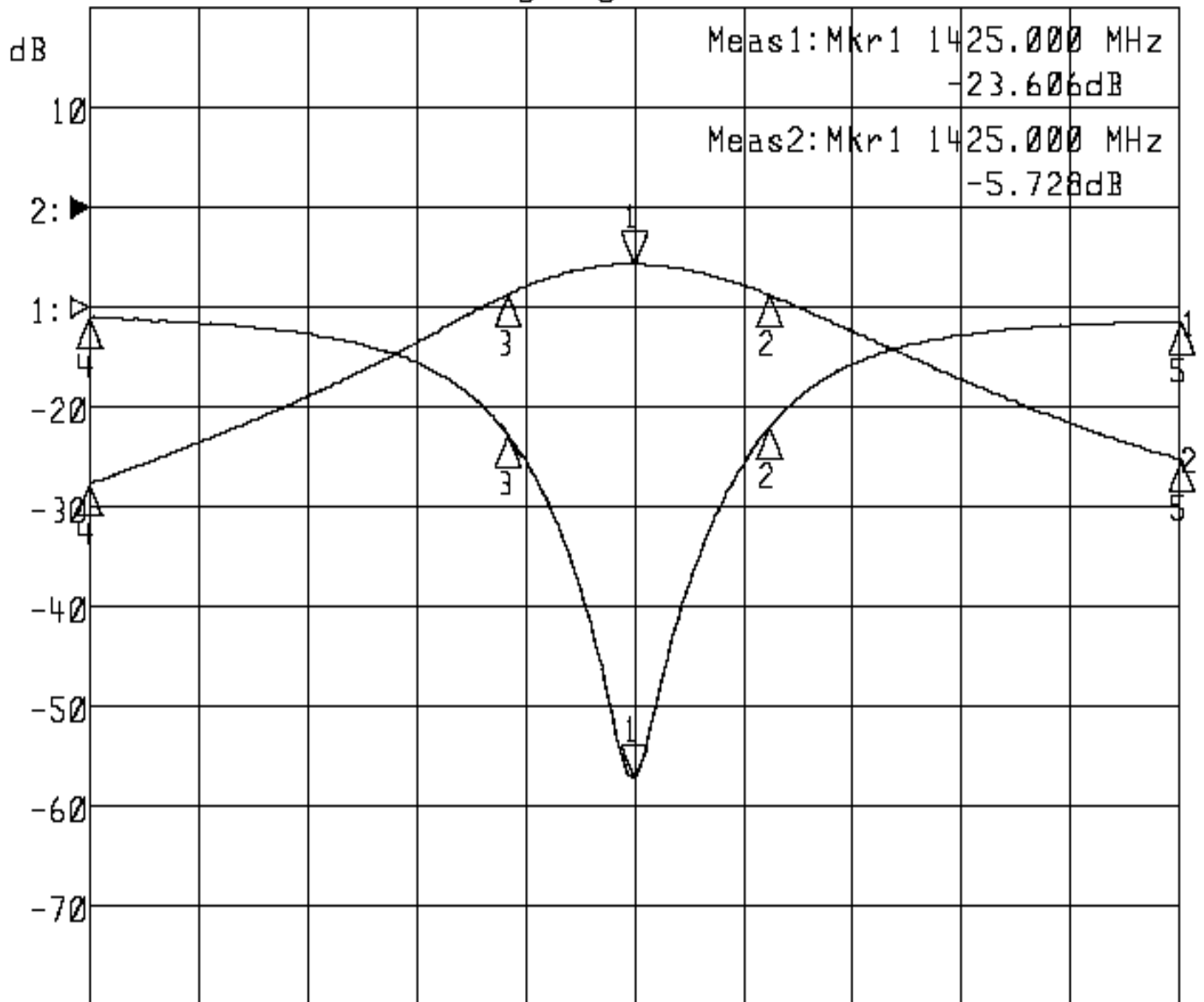
Approval	Supervisor	Designer	Aperture size
C.Y.Chang	C.S.Chang	Enlan	5w2(3.8*4.2) 5HW024RB3

TEMWELL CORPORATION

Performance-TDW2582B-1425M

2011114DC

▶1:S11 Refl Port1 Log Mag 5.0 dB/ Ref 0.00 dB C
▶2:S21 Fwd Trans Log Mag 10.0 dB/ Ref 0.00 dB C



Center 1 425.000 MHz

Span 200.000 MHz

1: Mkr (MHz)	dB	2: Mkr (MHz)	dB
1> 1425.0000	-23.606	1> 1425.0000	-5.728
2: 1449.8000	-6.017	2: 1449.8000	-8.788
3: 1401.8000	-6.368	3: 1401.8000	-8.749
4: 1325.0000	-0.528	4: 1325.0000	-27.719
5: 1525.0000	-0.734	5: 1525.0000	-25.249