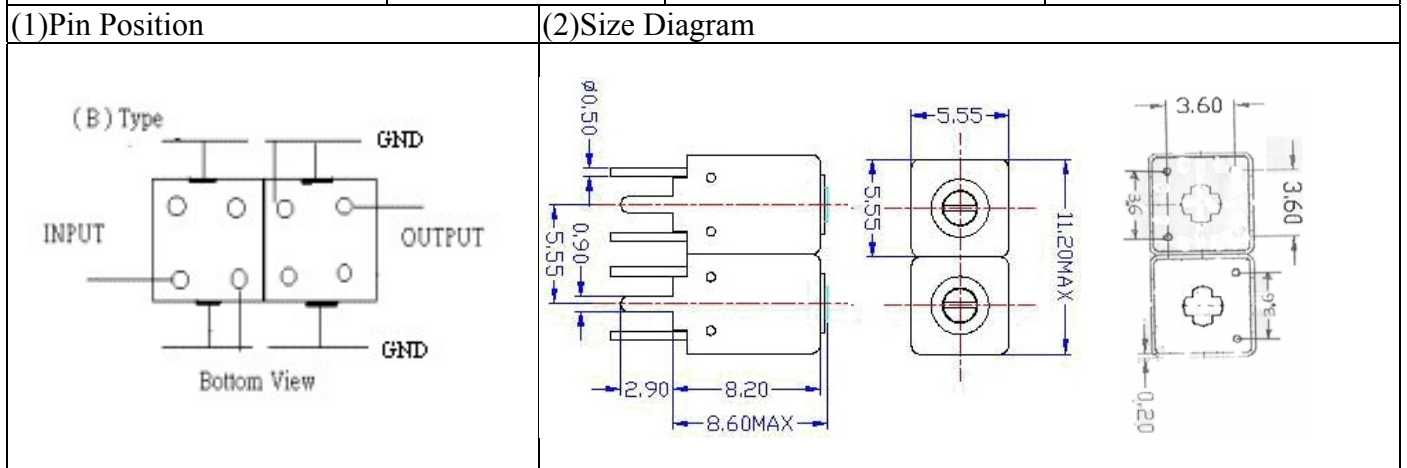


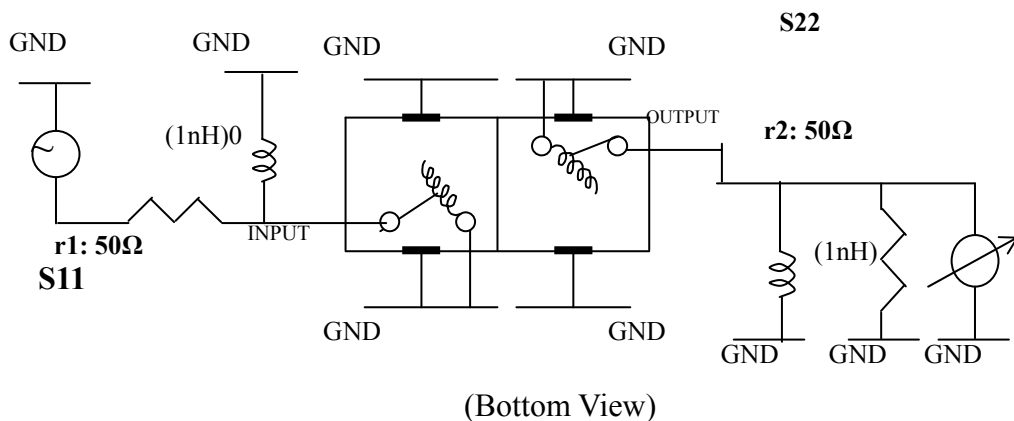
VHF UHF Helical Filter Specification Sheet

Customer Name		Temwell's Part No.	TDW2594B-1060M
Approval No. /dated	20111070APR	Acceptable Specify Fo Range	1051~1100 MHz
Work Instruction No.	20111070DC	Date	Oct.12.2006



(3) Electric Characteristic		Item	Specify	Performance
Center Freq.(Fo) +/- 0.5 %			1060 MHz	1060 MHz
Tunable Range:			1060±5 MHz	1060±5 MHz
Insertion Loss		Typ.	3.5 dB	2.21 dB
-3 dB Bandwidth		Typ.	36 MHz	41.2 MHz
Sensitivity (Attenuation)	Fo - 100 MHz	Typ.	27 dBc	30 dBc
	Fo + 100 MHz	Typ.	21 dBc	23 dBc
	Fo - ()MHz	Typ.	dBc	dBc
	Fo +()MHz	Ty	dBc	dBc
Return Loss		Min.	12 dB	21.1 dB
Ripple			< 1 dB	dB
Impedance			In / Out : 50 Ω	In / Out : 50 Ω
(4) Torque for Tuning Screw			> 60gf · cm	
(5) Temperature Condition:				
Operating Temperature			0°C ~ +60°C	
Storage Temperature			-20°C ~ +70°C	
(6) Input Power			> 0.5Watt	

(7) Measuring Circuit: ※Easy to match Impedance 50Ω/ by parallel with about (1) nH(1) nH.

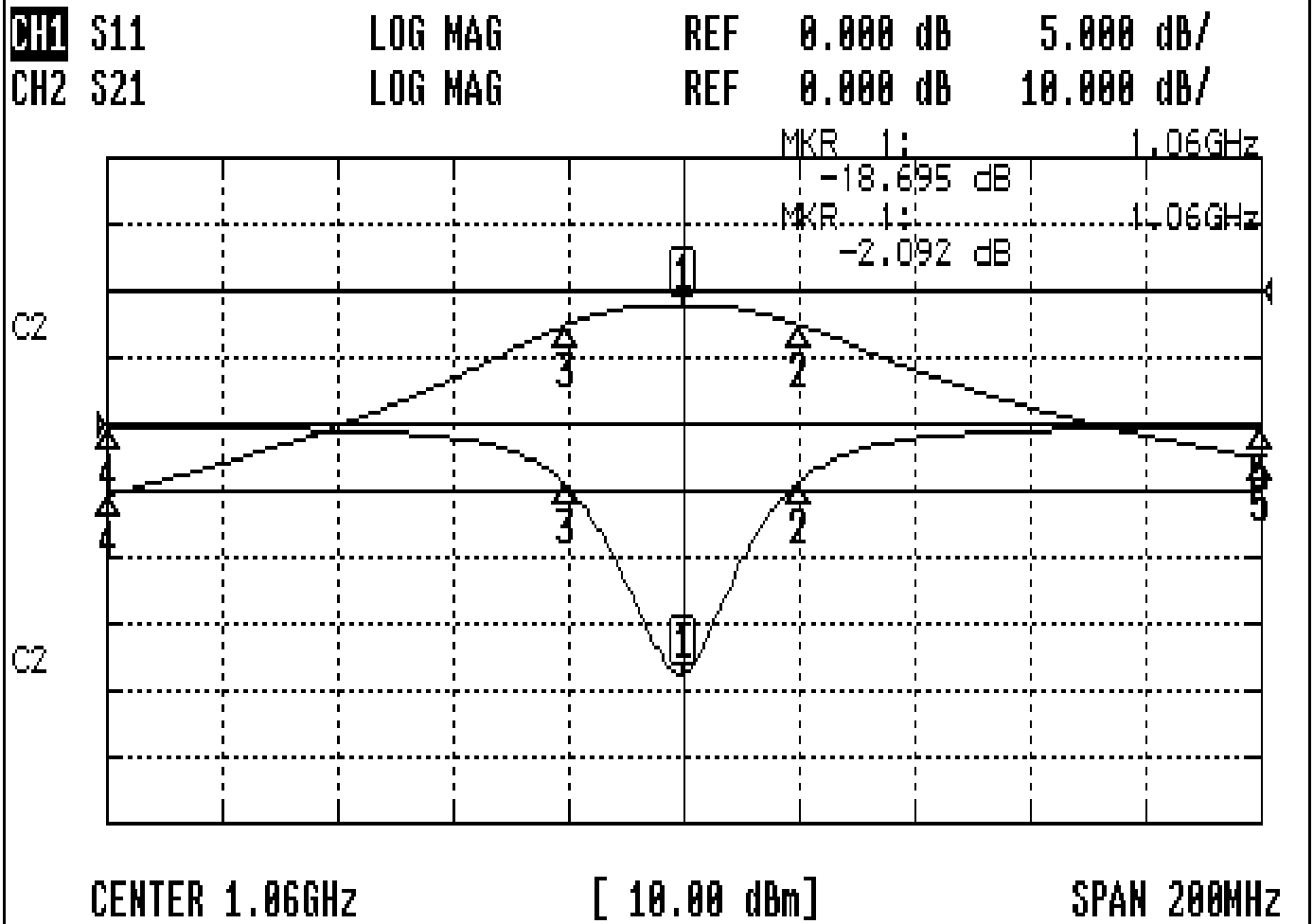


Approval	Supervisor	Designer	Aperture size
C.Y.Chang	C.S.Chang	W.W.Wang	5W2S(3.8*4.7)

TEMWELL CORPORATION

Performance-TDW2594B-1060M

20111070DC



CH1 MARKER LIST

Marker	Frequency	Magnitude (dB)
1	1.060 000GHz	-18.695 dB
2	1.080 000GHz	-4.346 dB
3	1.039 500GHz	-4.545 dB
4	960.000MHz	-0.265 dB
5	1.160 000GHz	-0.278 dB

CH2 MARKER LIST

Marker	Frequency	Magnitude (dB)
1	1.060 000GHz	-2.092 dB
2	1.080 000GHz	-15.004 dB
3	1.039 500GHz	-15.091 dB
4	960.000MHz	-30.606 dB
5	1.160 000GHz	-25.045 dB