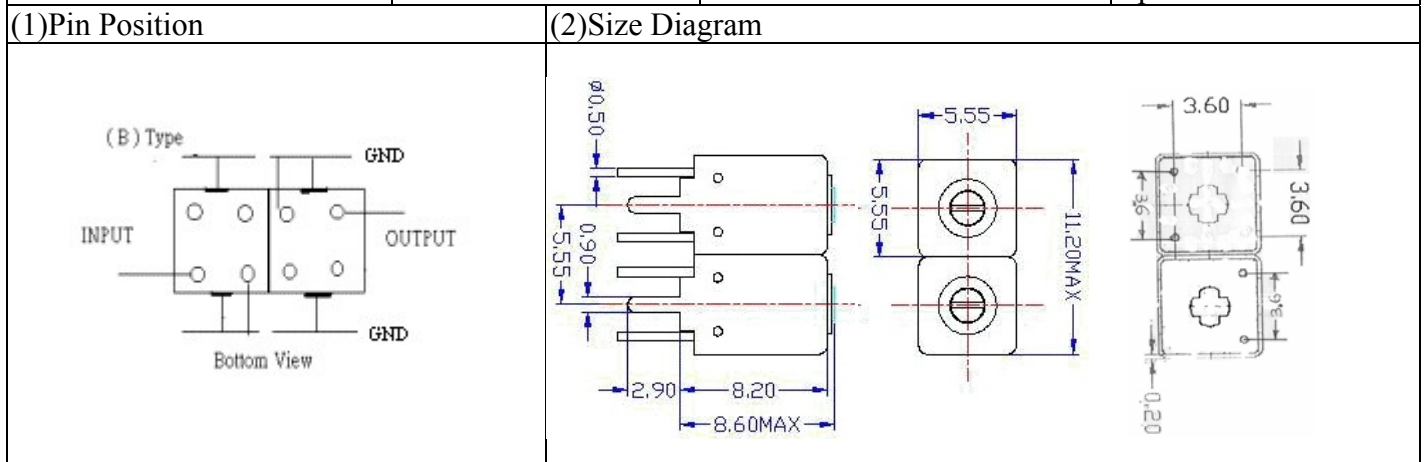
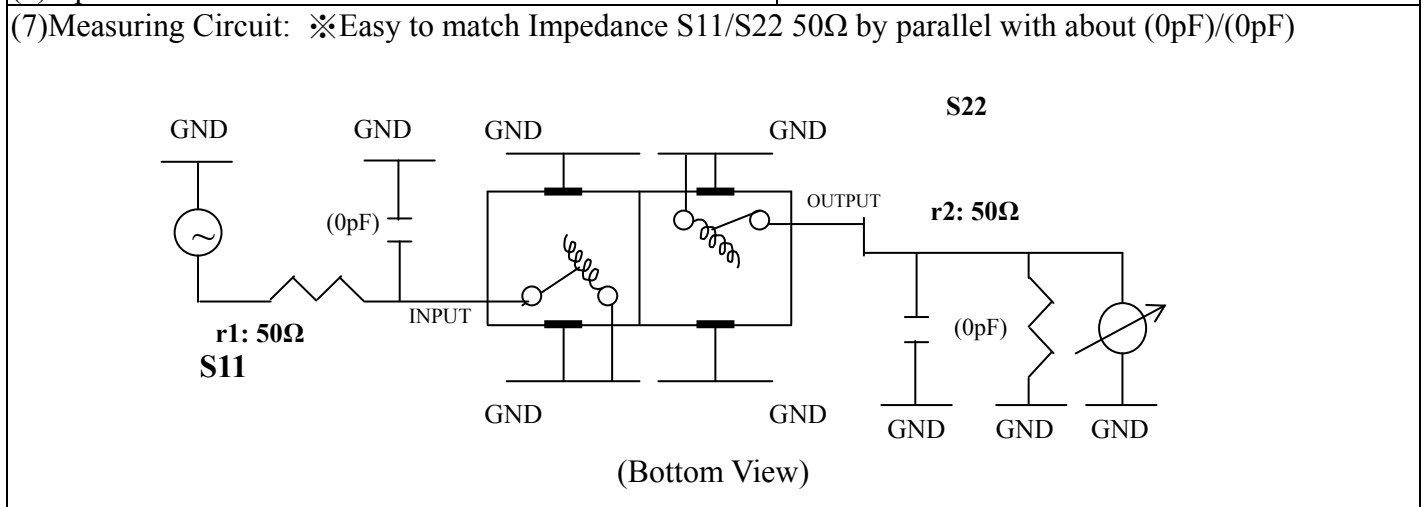


# VHF UHF Helical Filter Specification Sheet

|                      |             |                       |                |
|----------------------|-------------|-----------------------|----------------|
| Customer Name        |             | Temwell's Part No.    | TDW2596B-1130M |
| Approval No. /dated  | 0904020CD   | Temwell's print Name. | 2596B<br>1130M |
| Work Instruction No. | 200904020CD | Date                  | Apr.13.2009    |



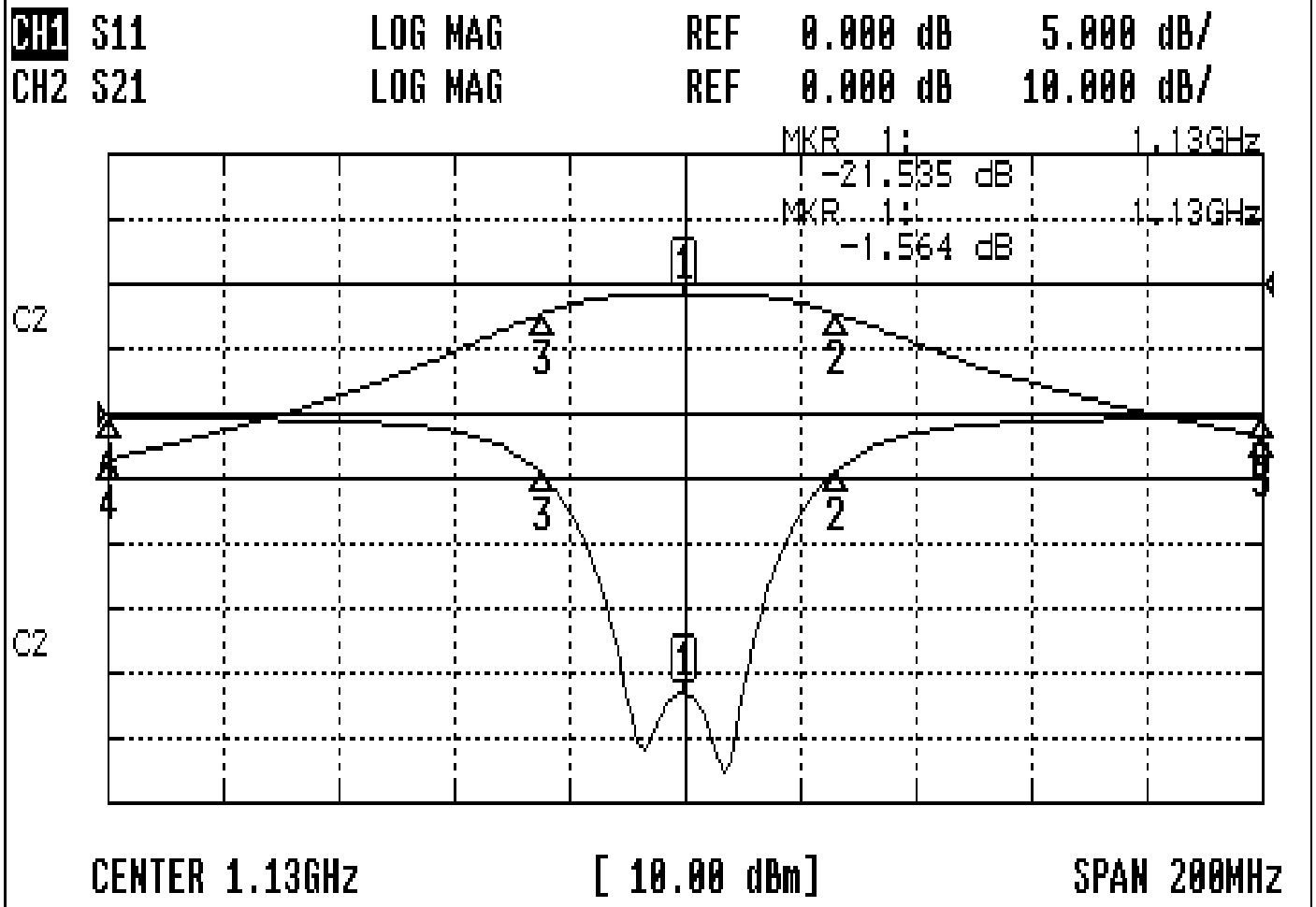
|                              |              |                 |  |                 |  |
|------------------------------|--------------|-----------------|--|-----------------|--|
| (3) Electric Characteristic  |              |                 |  |                 |  |
| Item                         |              | Specify         |  | Performance     |  |
| Center Freq.(Fo) +/- 0.5 %   |              | 1130 MHz        |  | 1130 MHz        |  |
| Tunable Range:               |              | 1130±3 MHz      |  | 1130±3 MHz      |  |
| Insertion Loss               |              | Typ. 2.0 dB     |  | 1.56 dB         |  |
| -3 dB Bandwidth              |              | Typ. 45 MHz     |  | 51.0 MHz        |  |
| Sensitivity<br>(Attenuation) | Fo - 100 MHz | Typ. 21 dBc     |  | 25 dBc          |  |
|                              | Fo + 100 MHz | Typ. 15 dBc     |  | 21 dBc          |  |
|                              | Fo - ( )MHz  | Typ. dBc        |  | dBc             |  |
|                              | Fo + ( )MHz  | Typ. dBc        |  | dBc             |  |
| Return Loss                  |              | Min. 12 dB      |  | 21.5 dB         |  |
| Ripple                       |              | < 1 dB          |  | dB              |  |
| Impedance                    |              | In / Out : 50 Ω |  | In / Out : 50 Ω |  |
| (4) Torque for Tuning Screw  |              | > 60gf • cm     |  |                 |  |
| (5) Temperature Condition:   |              |                 |  |                 |  |
| Operating Temperature        |              | 0°C ~ +60°C     |  |                 |  |
| Storage Temperature          |              | -20°C ~ +70°C   |  |                 |  |
| (6) Input Power              |              | > 0.5Watt       |  |                 |  |



|                     |            |          |                                  |
|---------------------|------------|----------|----------------------------------|
| Approval            | Supervisor | Designer | Aperture size                    |
| C.Y.Chang           | C.K.Chang  | C.H.Yeh  | 5W2S(3.8*5.1)(5.22)<br>5HW024RB3 |
| TEMWELL CORPORATION |            |          |                                  |

# Performance-TDW2596B-1130M

## 200904020CD



### CH1 MARKER LIST

|    |       |        |         |    |
|----|-------|--------|---------|----|
| 1: | 1.130 | 000GHz | -21.535 | dB |
| 2: | 1.156 | 333GHz | -4.307  | dB |
| 3: | 1.105 | 333GHz | -4.699  | dB |
| 4: | 1.030 | 000GHz | -0.293  | dB |
| 5: | 1.230 | 000GHz | -0.307  | dB |

### CH2 MARKER LIST

|    |       |        |         |    |
|----|-------|--------|---------|----|
| 1: | 1.130 | 000GHz | -1.563  | dB |
| 2: | 1.156 | 333GHz | -4.511  | dB |
| 3: | 1.105 | 333GHz | -4.514  | dB |
| 4: | 1.030 | 000GHz | -26.971 | dB |
| 5: | 1.230 | 000GHz | -23.419 | dB |