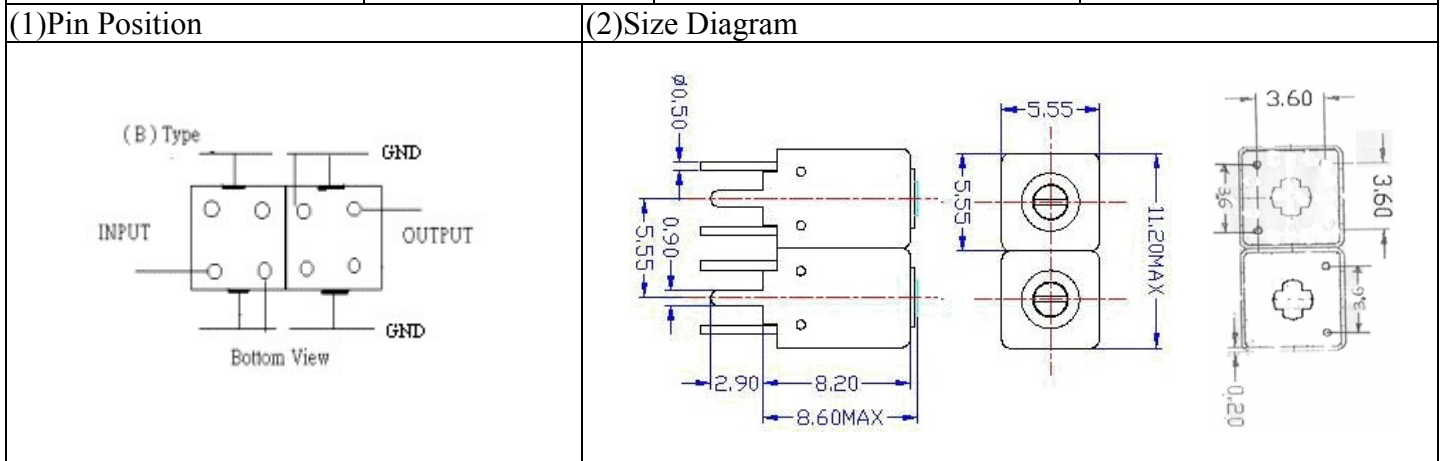


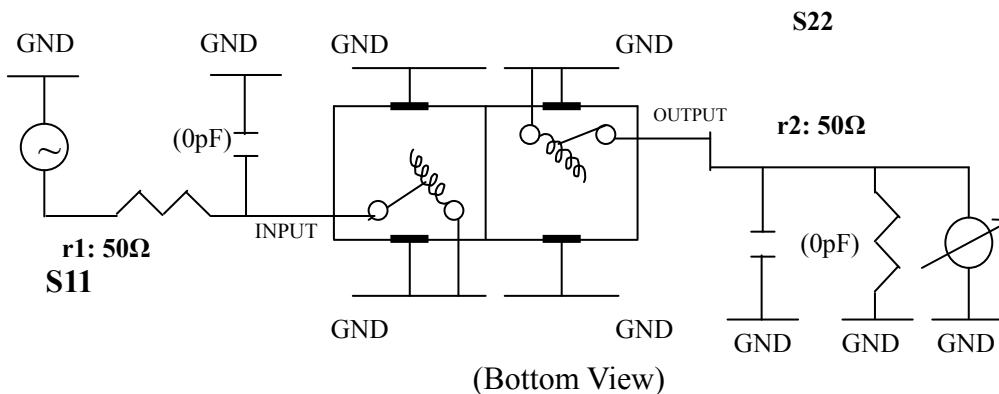
VHF UHF Helical Filter Specification Sheet

Customer Name		Temwell's Part No.	TDW2638B-575M
Approval No. /dated	0601050APR	Acceptable Specify Fo Range	551M-600M
Work Instruction No.	0601050DC	Date	Feb.10.2006



Item		Specify		Performance	
Center Freq.(Fo) +/- 0.5 %		575	MHz	575	MHz
Tunable Range:		575±5	MHz	575±5	MHz
Insertion Loss		Typ. 4.5	dB	3.70	dB
-3 dB Bandwidth		Typ. 5	MHz	14.5	MHz
Sensitivity (Attenuation)	Fo - 50 MHz	Typ. 39	dBc	42	dBc
	Fo + 50 MHz	Typ. 24	dBc	27	dBc
	Fo - ()MHz	Typ.	dBc		dBc
	Fo +()MHz	Typ.	dBc		dBc
Return Loss		Min. 12	dB	20.4	dB
Ripple		< 1	dB		dB
Impedance		In / Out : 50 Ω		In / Out : 50 Ω	
(4) Torque for Tuning Screw		> 60gf · cm			
(5) Temperature Condition:					
Operating Temperature		0°C ~ +60°C			
Storage Temperature		-20°C ~ +70°C			
(6) Input Power		> 0.5Watt			

(7) Measuring Circuit: ※Easy to match Impedance 50Ω/ by parallel with about (0) pF.



Approval	Supervisor	Designer	Aperture size
C.Y. Chang	C.S. Chang	C.S. Chang	5w2(3.8*3.5)(3.55) 5HW024RB3

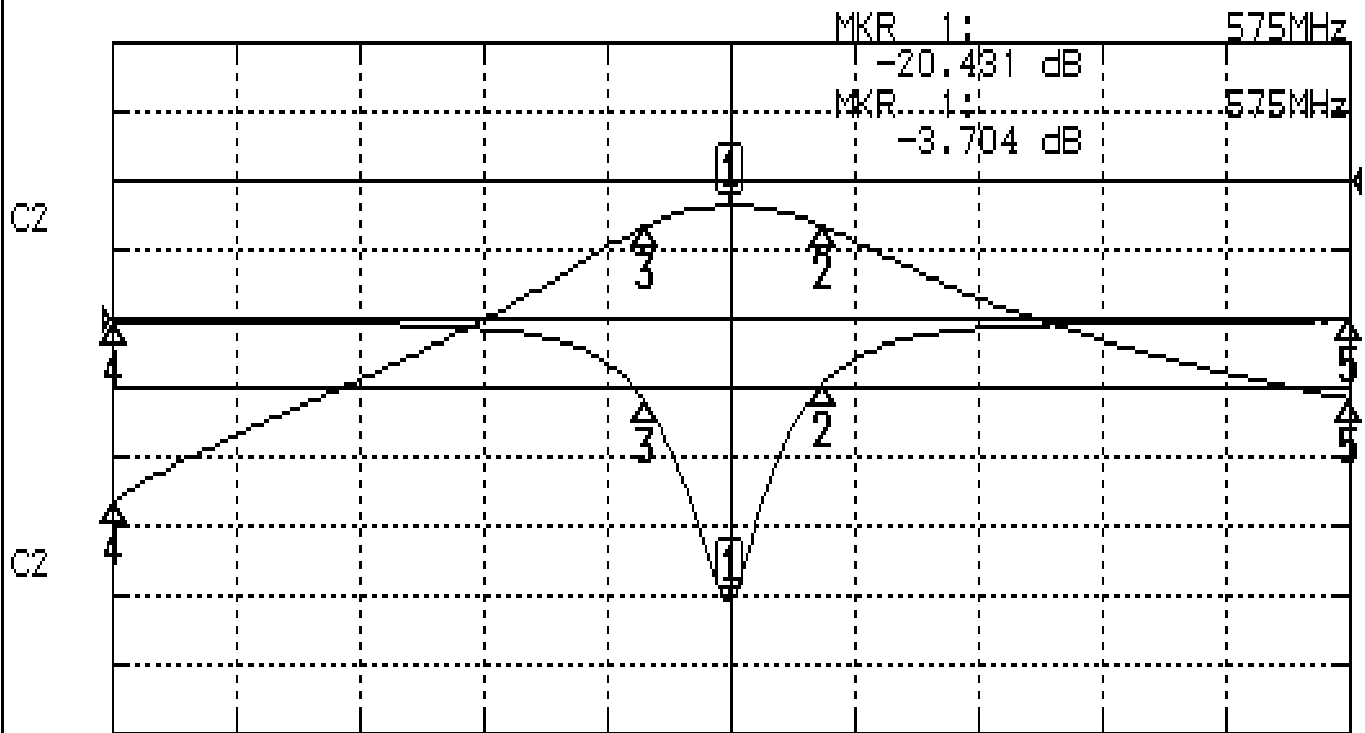
TEMWELL CORPORATION

TEMWELL RP: C.S. Chang

Performance-TDW2638B-575M

0601050DC

CH1 S11 LOG MAG REF 0.000 dB 5.000 dB/
CH2 S21 LOG MAG REF 0.000 dB 10.000 dB/



CENTER 575MHz

[10.00 dBm]

SPAN 100MHz

CH1 MARKER LIST

Marker	Frequency (MHz)	Magnitude (dB)
1	575.000	-20.431
2	582.583	-4.634
3	600.000	-1.807
4	625.000	-0.172
5	625.000	-0.133

CH2 MARKER LIST

Marker	Frequency (MHz)	Magnitude (dB)
1	575.000	-3.701
2	582.583	-6.672
3	600.000	-6.643
4	625.000	-46.363
5	625.000	-31.609