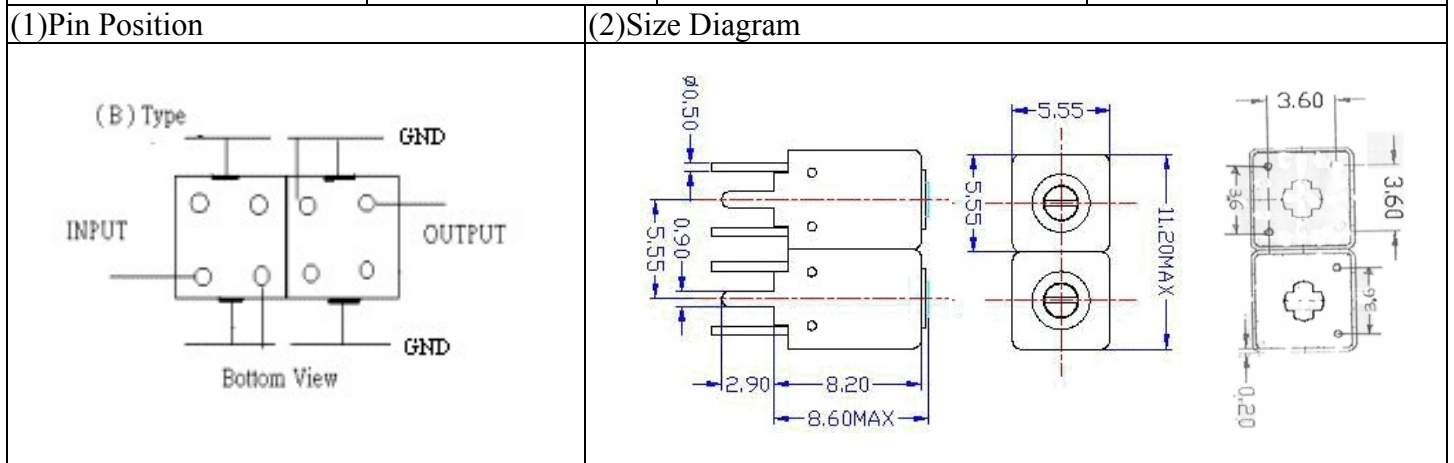


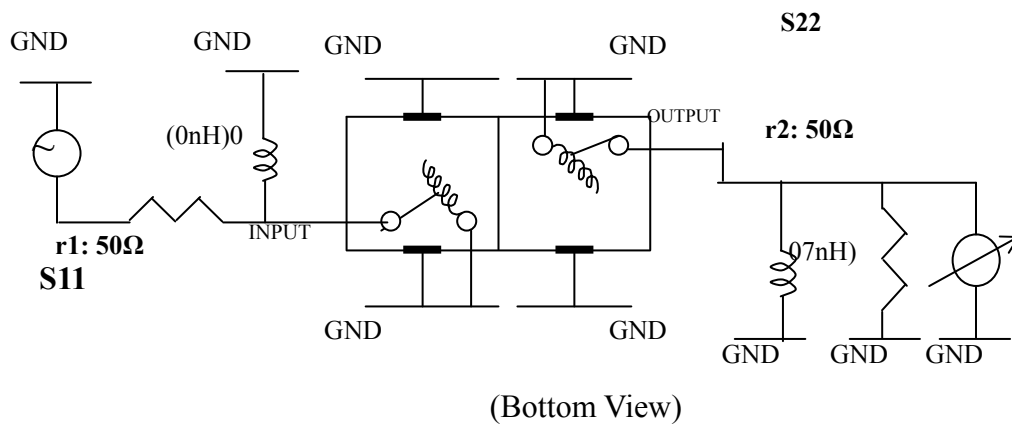
VHF UHF Helical Filter Specification Sheet

Customer Name		Temwell's Part No.	TDW2641B-775M
Approval No. /dated	0601053APR	Acceptable Fo Specify Range.	751-800MHz
Work Instruction No.	0601053DC	Date	Feb.13.2006



(3) Electric Character			
Item	Specify		Performance
Center Freq.(Fo) +/- 0.5 %	775	MHz	775 MHz
Tunable Range:	775±5	MHz	775±5 MHz
Insertion Loss	Typ. 5.0	dB	4.04 dB
-3 dB Bandwidth	Typ. 10	MHz	15.3 MHz
Sensitivity (Attenuation)	Fo - 50 MHz	Typ. 30	dBc
	Fo + 50 MHz	Typ. 23	dBc
	Fo - ()MHz	Typ.	dBc
	Fo +()MHz	Typ.	dBc
Return Loss	Min. 12	dB	41.1 dB
Ripple	< 1	dB	dB
Impedance	In / Out : 50 Ω		In / Out : 50 Ω
(4) Torque for Tuning Screw	> 60gf · cm		
(5) Temperature Condition:			
Operating Temperature	0°C ~ +60°C		
Storage Temperature	-20°C ~ +70°C		
(6) Input Power	> 0.5Watt		

(7) Measuring Circuit: ※Easy to match Impedance 50Ω by parallel with about (0) nH.

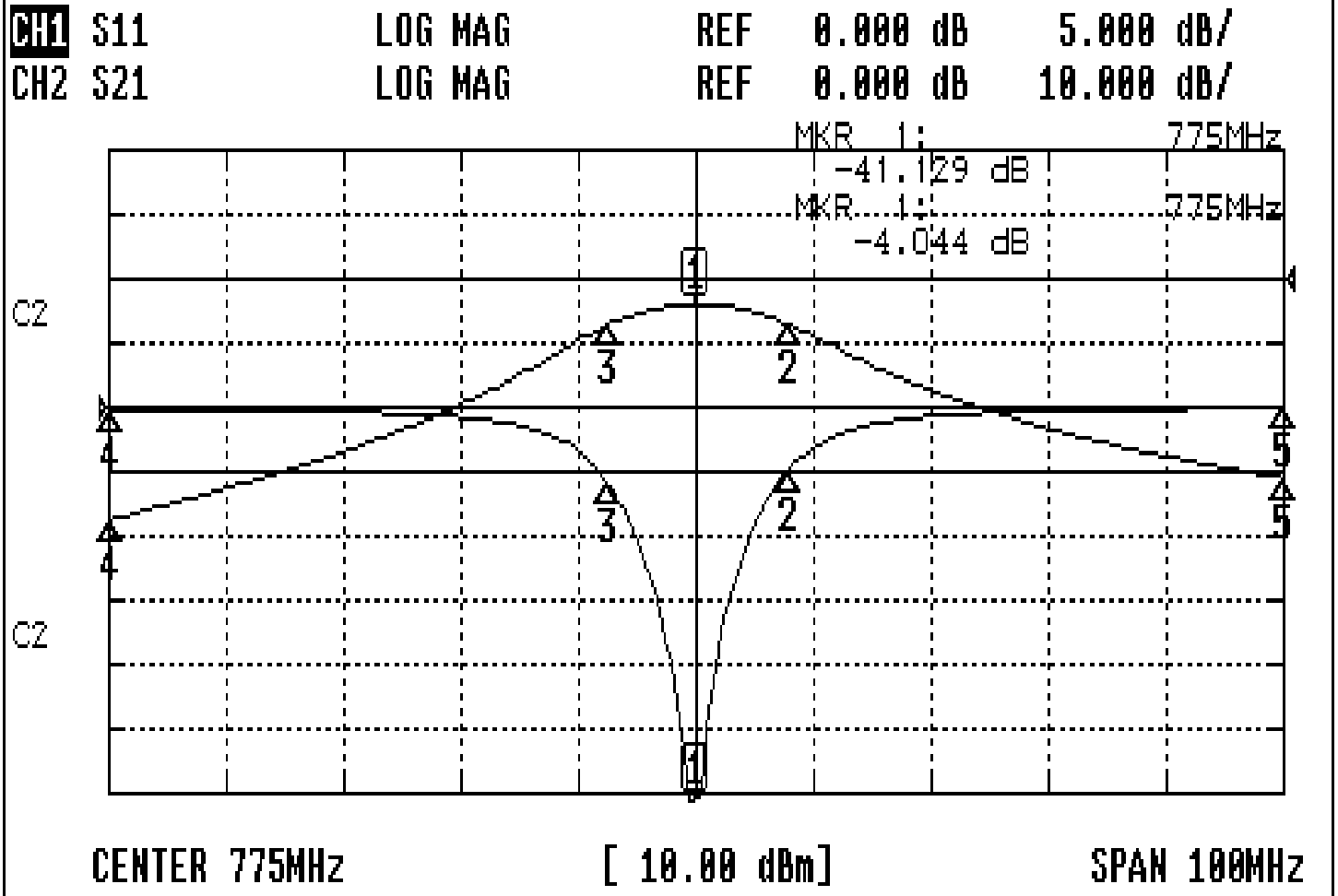


Approval	Supervisor	Designer	Aperture size
C.Y. Chang	C.S. Chang	C.S. Chang	5W2, 3.8*3.5(3.55) 5HW024RB3

TEMWELL CORPORATION

Performance-TDW2641B-775M

0601053DC



CH1 MARKER LIST

1:	775.000MHz	-41.129	dB
2:	782.833MHz	-4.914	dB
3:	767.583MHz	-5.868	dB
4:	725.000MHz	-0.158	dB
5:	825.000MHz	-0.111	dB

CH2 MARKER LIST

1:	775.000MHz	-4.046	dB
2:	782.833MHz	-7.053	dB
3:	767.583MHz	-7.075	dB
4:	725.000MHz	-37.456	dB
5:	825.000MHz	-30.963	dB