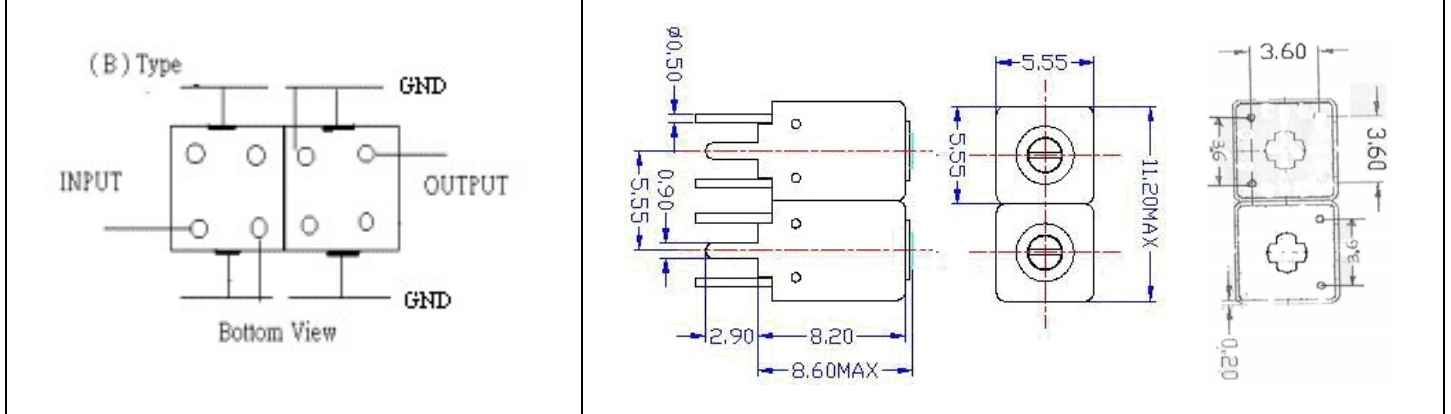


# VHF UHF Helical Filter Specification Sheet

Customer Name		Temwell's Part No.	TDW2642B-925M
Approval No. /dated	0601054APR	Acceptable Specify Fo Range	901M-950M
Work Instruction No.	0601054DC	Date	Feb.13.2006

<b>(1) Pin Position</b>	<b>(2) Size Diagram</b>
-------------------------	-------------------------



**(3) Electric Character**

Item	Specify	Performance	
Center Freq. (Fo) +/- 0.5 %	925 MHz	925 MHz	
Tunable Range:	925±10 MHz	925±10 MHz	
Insertion Loss	Typ. 6.5 Db	5.66 dB	
-3 dB Bandwidth	Typ. 5 MHz	14.5 MHz	
Sensitivity (Attenuation)	Fo - 50 MHz	Typ. 30 dBc	33 dBc
	Fo + 50 MHz	Typ. 25 dBc	28 dBc
	Fo - ( )MHz	Typ. dBc	dBc
	Fo + ( )MHz	Typ. dBc	dBc
Return Loss	Min. 12 dB	18.0 dB	
Ripple	< 1 dB	dB	
Impedance	In / Out : 50 Ω	In / Out : 50 Ω	

**(4) Torque for Tuning Screw** > 60gf · cm

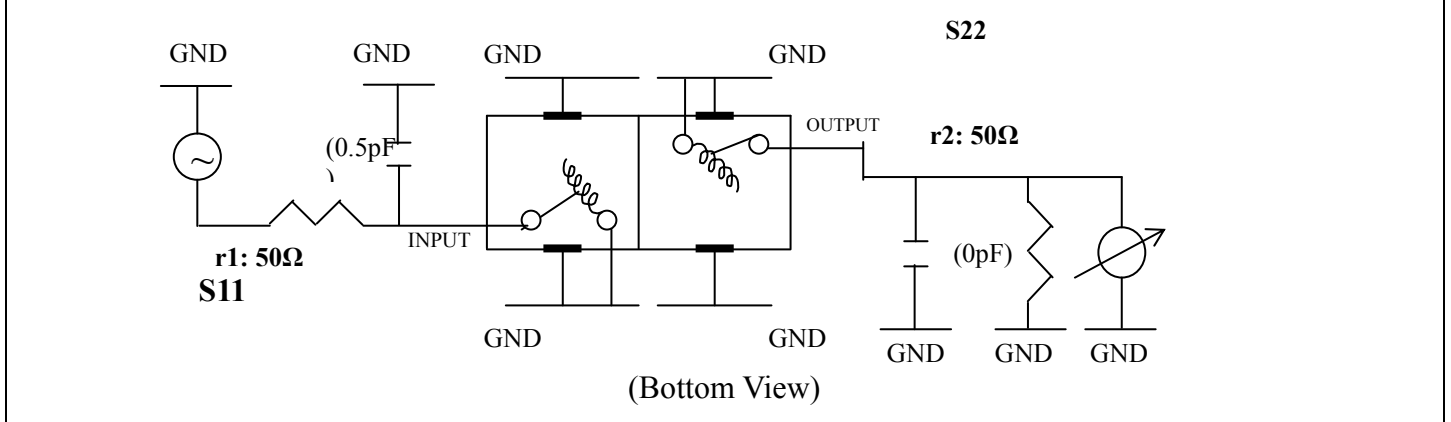
**(5) Temperature Condition:**

Operating Temperature 0°C ~ +60°C

Storage Temperature -20°C ~ +70°C

**(6) Input Power** > 0.5Watt

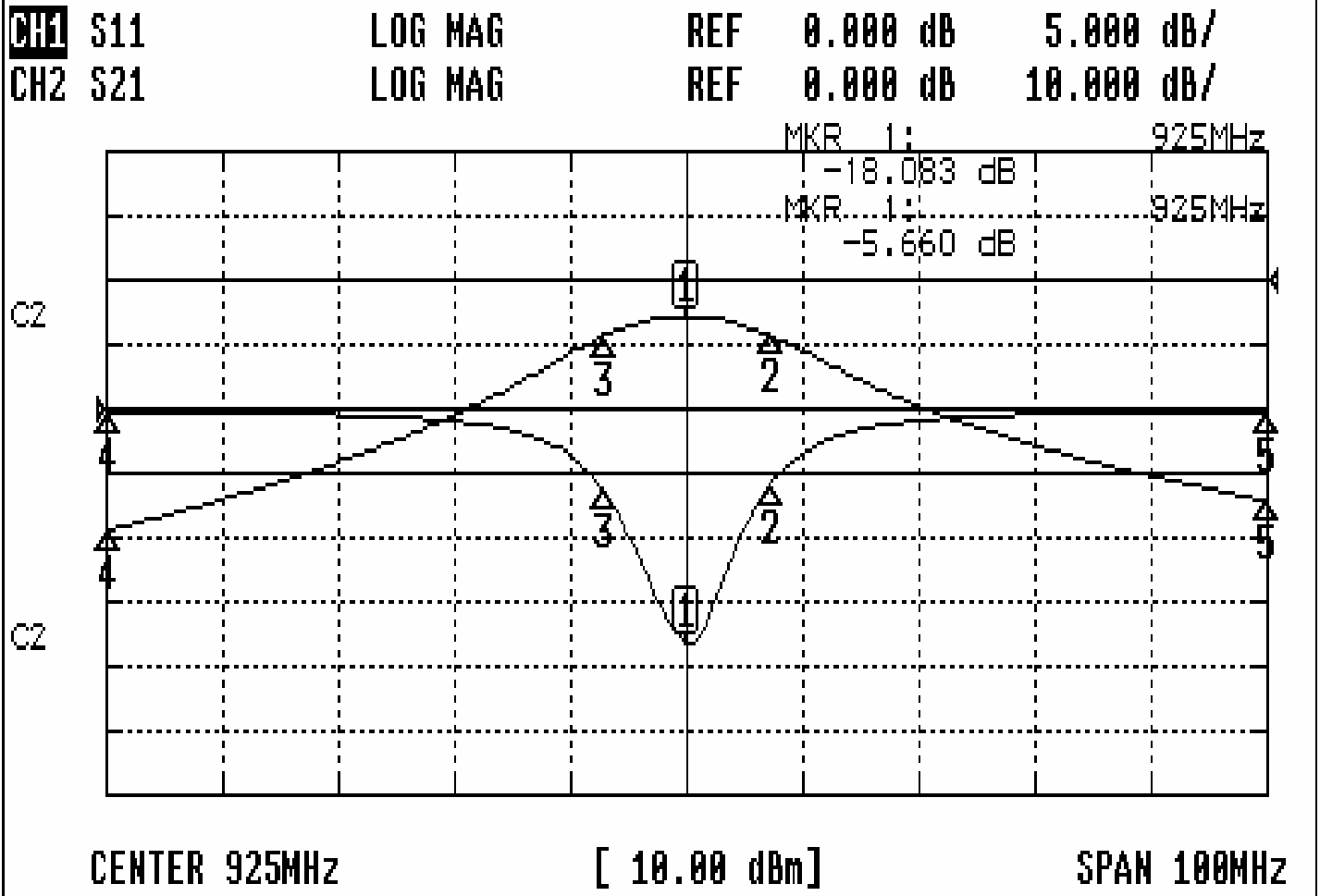
**(7) Measuring Circuit:** ※Easy to match Impedance 50Ω/ by parallel with about (0-0.5) pF.



Approval	Supervisor	Designer	Aperture size
C.Y. Chang	C.S. Chang	C.S. Chang	5W2(3.8*3.5)(3.60) 5HW024RB3
TEMWELL		CORPORATION	

# Performance-TDW2642B-925M

## 0601054DC



### CH1 MARKER LIST

1:	925.000MHz	-18.083	dB
2:	932.333MHz	-5.792	dB
3:	917.833MHz	-6.905	dB
4:	887.500MHz	-0.204	dB
5:	975.000MHz	-0.158	dB
6:			
7:			
8:			
9:			
10:			

### CH2 MARKER LIST

1:	925.000MHz	-5.660	dB
2:	932.333MHz	-10.000	dB
3:	917.833MHz	-11.000	dB
4:	887.500MHz	-33.800	dB
5:	975.000MHz	-34.264	dB
6:			
7:			
8:			
9:			
10:			