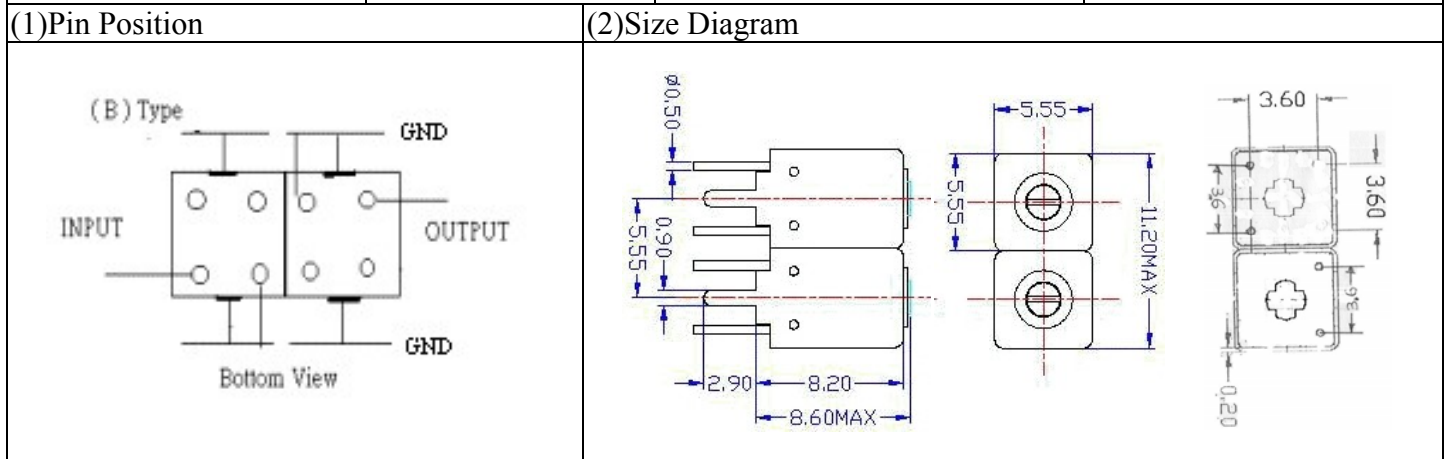


VHF UHF Helical Filter Specification Sheet

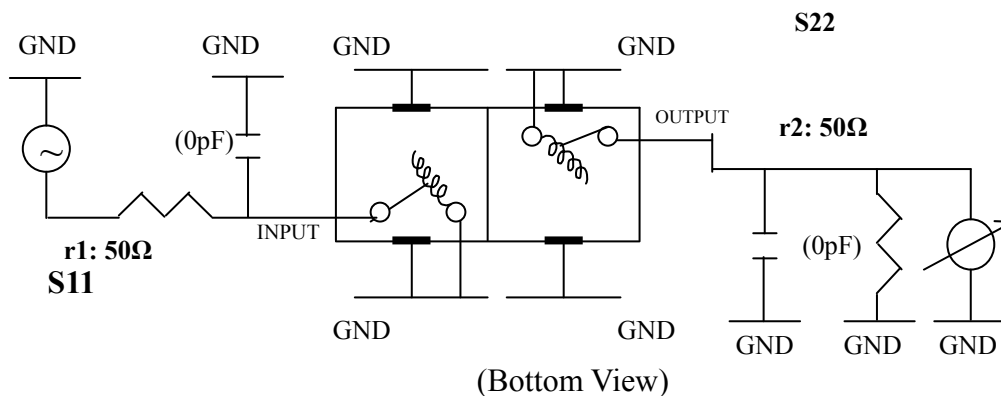
Customer Name		Temwell's Part No.	TDW2643B-1025M
Approval No. /dated	0601055APR	Acceptable Specify Fo Range	1001M-1050M
Work Instruction No.	0601055DC	Date	Feb.13.2006



(3) Electric Character			
Item	Specify		Performance
Center Freq.(Fo) +/- 0.5 %	1025	MHz	1025 MHz
Tunable Range:	1025±10	MHz	1025±10 MHz
Insertion Loss	Typ. 6.5	dB	5.59 dB
-3 dB Bandwidth	Typ. 5	MHz	18.1 MHz
Sensitivity (Attenuation)	Fo - 50 MHz	Typ. 24 dBc	27 dBc
	Fo + 50 MHz	Typ. 20 dBc	23 dBc
	Fo - ()MHz	Typ. dBc	dBc
	Fo + ()MHz	Typ. dBc	dBc
Return Loss	Min. 12	dB	23.3 dB
Ripple	< 1	dB	dB
Impedance	In / Out : 50 Ω		In / Out : 50 Ω

(4) Torque for Tuning Screw	> 60gf · cm
(5) Temperature Condition:	
Operating Temperature	0°C ~ +60°C
Storage Temperature	-20°C ~ +70°C
(6) Input Power	> 0.5Watt

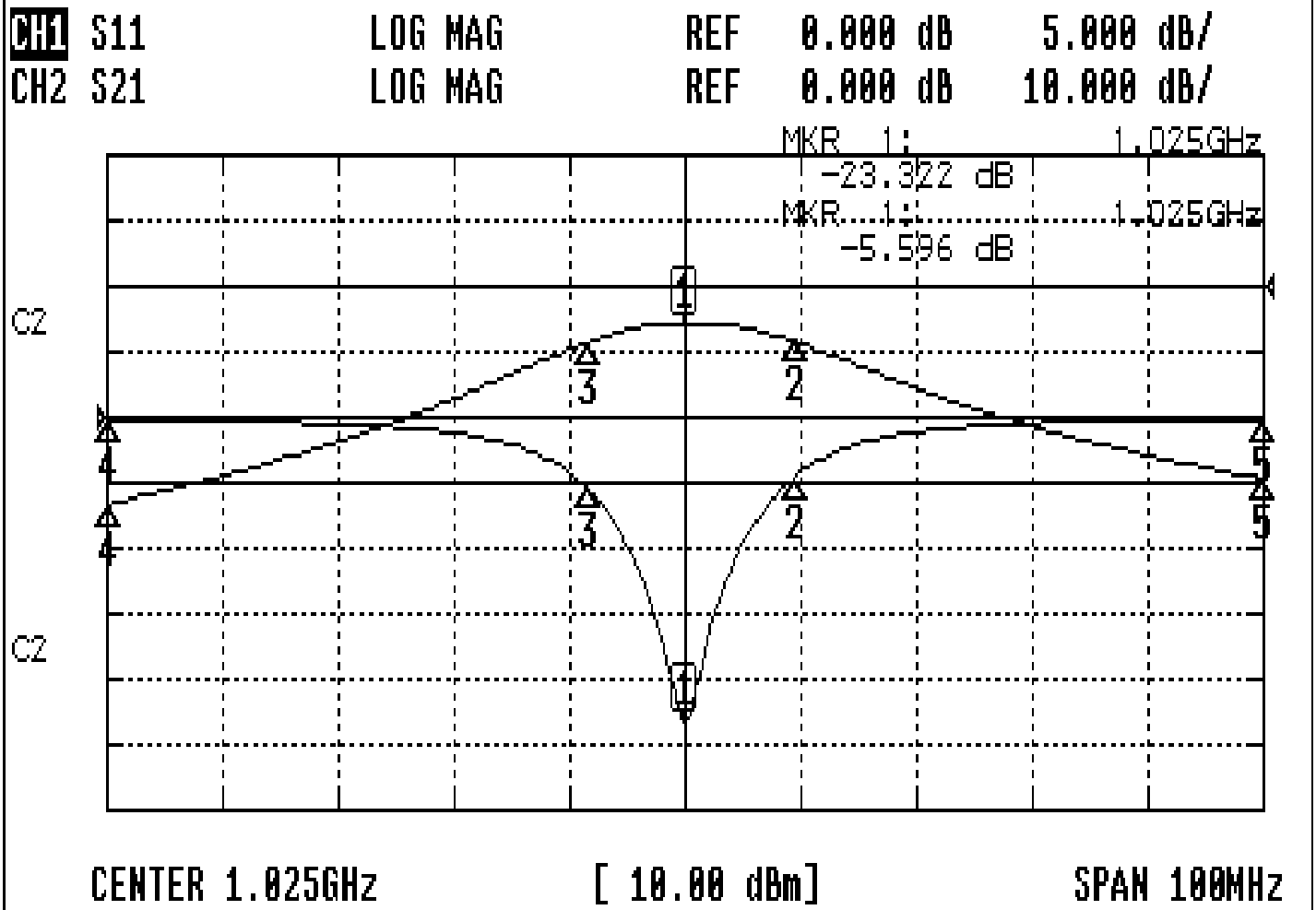
(7) Measuring Circuit: ※Easy to match Impedance 50Ω/ by parallel with about (0) pF.



Approval	Supervisor	Designer	Aperture size
C.Y. Chang	C.S. Chang	C.S. Chang	5w2(3.8*3.5)(3.62) 5HW024RB3
TEMWELL CORPORATION			

Performance-TDW2643B-1025M

0601055DC



CH1 MARKER LIST

1:	1.025 000GHz	-23.322	dB
2:	1.034 666GHz	-4.465	dB
3:	1.016 500GHz	-5.355	dB
4:	975.000MHz	-0.220	dB
5:	1.075 000GHz	-0.152	dB
6:			
7:			
8:			
9:			
10:			

CH2 MARKER LIST

1:	1.025 000GHz	-5.596	dB
2:	1.034 666GHz	-0.220	dB
3:	1.016 500GHz	-0.152	dB
4:	975.000MHz	-0.220	dB
5:	1.075 000GHz	-29.423	dB
6:			
7:			
8:			
9:			
10:			