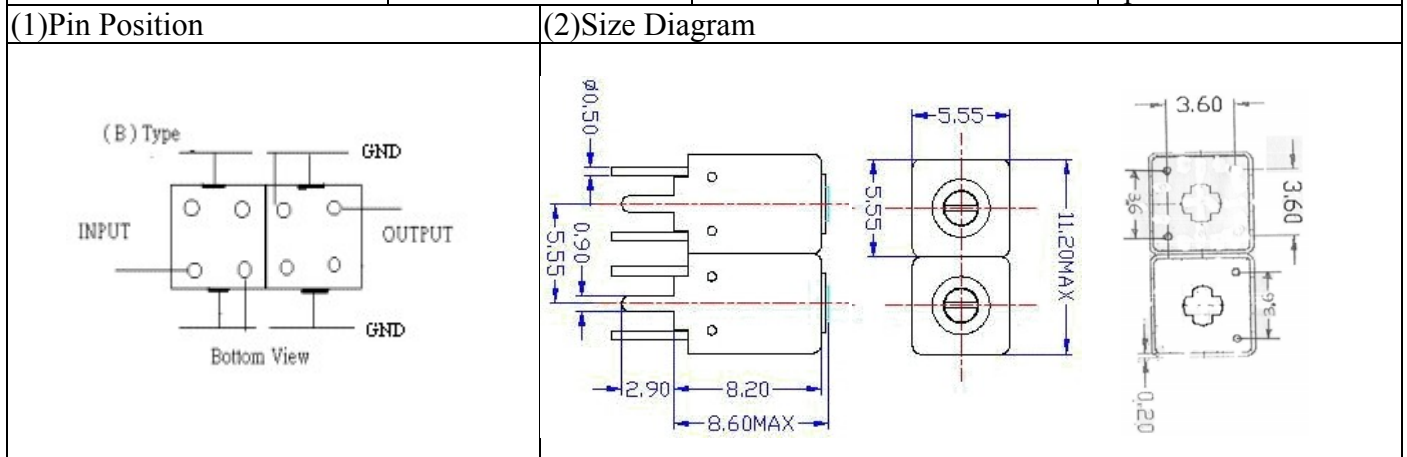
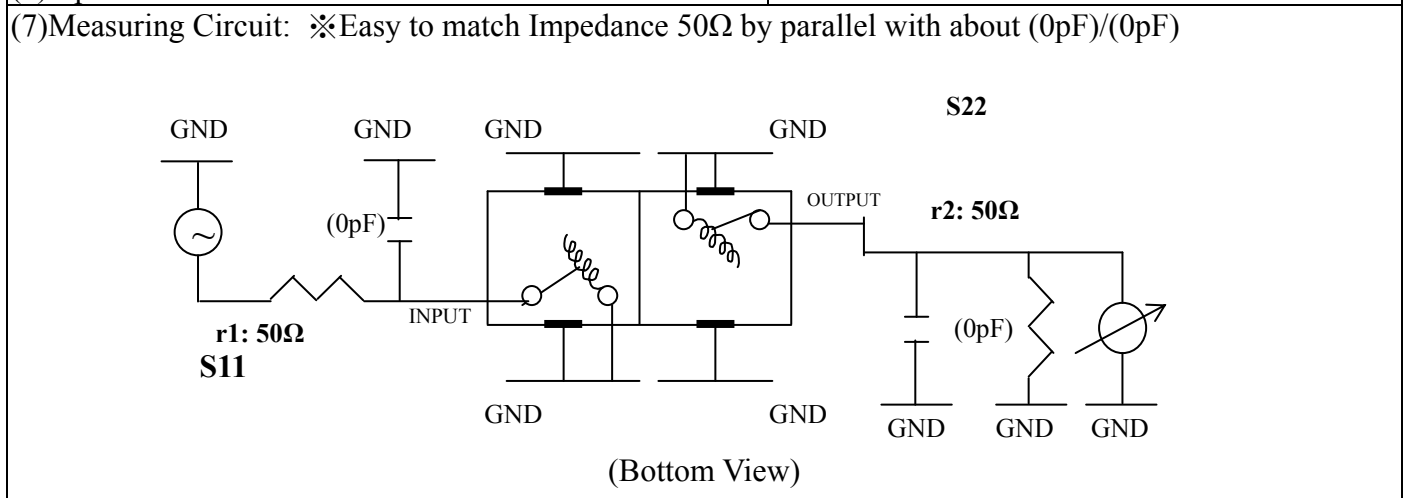


VHF UHF Helical Filter Specification Sheet

Customer Name		Temwell's Part No.	TDW2644B-1075M
Approval No. /dated	0904017CD	Temwell's print Name.	2644B 1075M
Work Instruction No.	200904017CD	Date	Apr.14.2009



(3) Electric Characteristic			
Item		Specify	Performance
Center Freq.(Fo) +/- 0.5 %		1075 MHz	1075 MHz
Tunable Range:		1075±10 MHz	1075±10 MHz
Insertion Loss		Typ. 4.0 dB	3.48 dB
-3 dB Bandwidth		Typ. 13 MHz	22.1 MHz
Sensitivity (Attenuation)	Fo - (50) MHz	Typ. 23 dBc	25 dBc
	Fo + (50) MHz	Typ. 20 dBc	21 dBc
	Fo - () MHz	Typ. dBc	dBc
	Fo + () MHz	Typ. dBc	dBc
Return Loss		Min. 12 dB	38.6 dB
Ripple		< 1 dB	dB
Impedance		In / Out : 50 Ω	In / Out : 50 Ω
(4) Torque for Tuning Screw		> 60gf · cm	
(5) Temperature Condition:			
Operating Temperature		0°C ~ +60°C	
Storage Temperature		-20°C ~ +70°C	
(6) Input Power		> 0.5Watt	



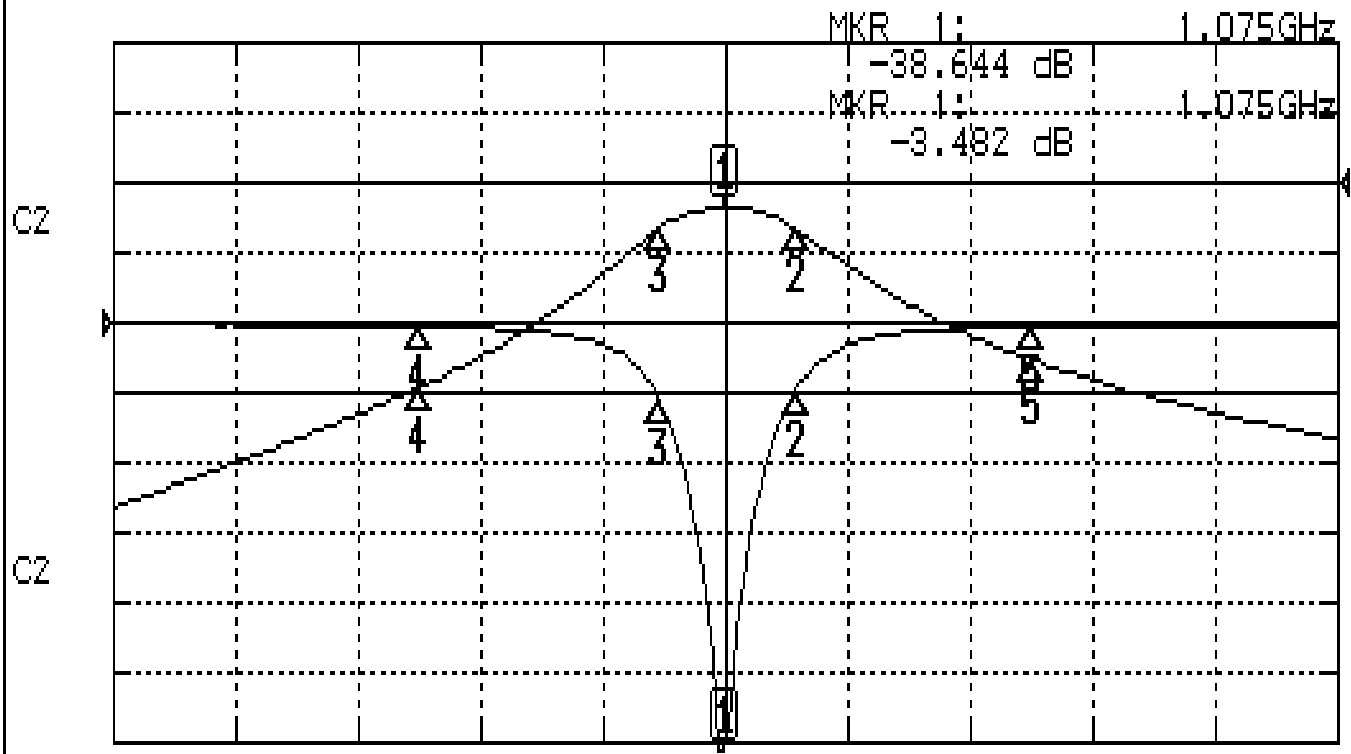
Approval	Supervisor	Designer	Aperture size
C.Y.Chang	C.K.Chang	Y.H.Yeh	5W2S(3.8*3.5)(3.56) 5HW024RB3

TEMWELL CORPORATION

Performance-TDW2644B-1075M

200904017CD

CH1 S11 LOG MAG REF 0.000 dB 5.000 dB/
CH2 S21 LOG MAG REF 0.000 dB 10.000 dB/



CENTER 1.075GHz

[10.00 dBm]

SPAN 200MHz

CH1 MARKER LIST

1:	1.075	000GHz	-38.644	dB
2:	1.086	430GHz	-14.947	dB
3:	1.064	333GHz	-15.514	dB
4:	1.025	000GHz	-10.269	dB
5:	1.125	000GHz	-0.283	dB

CH2 MARKER LIST

1:	1.075	000GHz	-3.482	dB
2:	1.086	430GHz	-16.488	dB
3:	1.064	333GHz	-16.484	dB
4:	1.025	000GHz	-29.203	dB
5:	1.125	000GHz	-25.269	dB