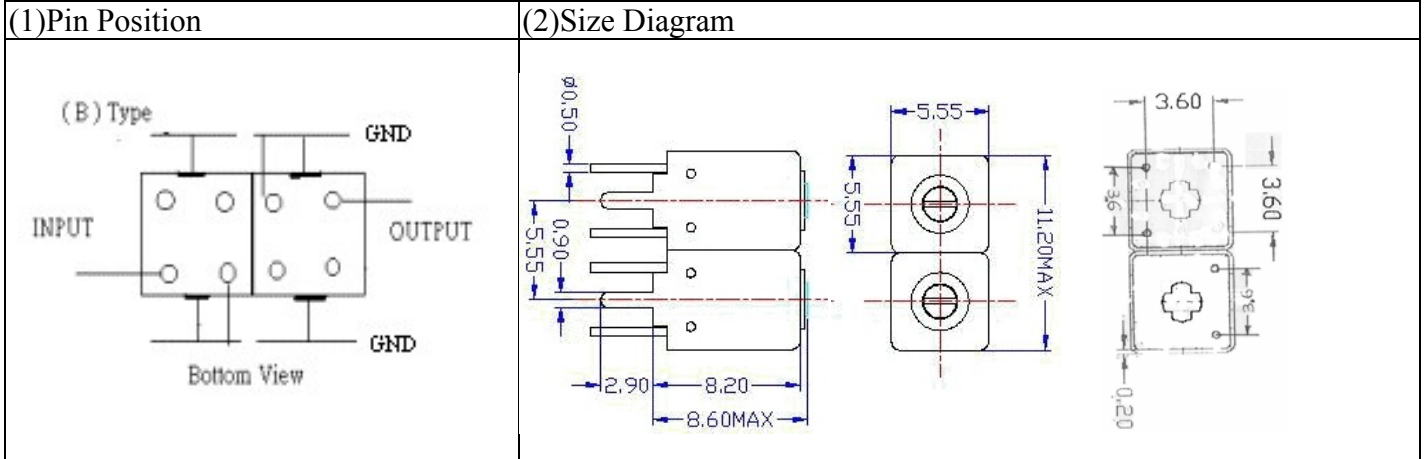


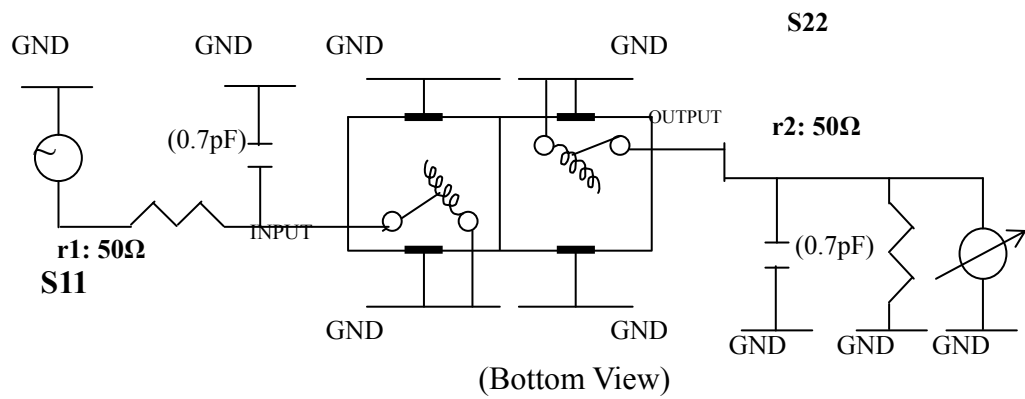
# VHF UHF Helical Filter Specification Sheet

Customer Name		Temwell's Part No.	TDW2648B-469.5M
Approval No. /dated	20508021APR	Acceptable Specify Fo. Range	451~500MHz
Work Instruction No.	20508021DC	Date	Aug.17.2005



(3) Electric Character			
Item	Specify	Performance	
Center Freq.(Fo) +/- 0.5 %	469.5 MHz	469.5 MHz	
Tunable Range:	469.5±5 MHz	469.5±5 MHz	
Insertion Loss	Typ. 3.5 dB	2.03 dB	
-3 dB Bandwidth	Typ. 11 MHz	17.3 MHz	
Sensitivity (Attenuation)	Fo - 50 MHz	Typ. 31 dBc	34 dBc
	Fo + 50 MHz	Typ. 22 dBc	25 dBc
	Fo - ( )MHz	Typ. dBc	dBc
	Fo + ( )MHz	Typ. dBc	dBc
Return Loss	Min. 12 dB	20.2 dB	
Ripple	< 1 dB	dB	
Impedance	In / Out : 50 Ω	In / Out : 50 Ω	
(4) Torque for Tuning Screw	> 60gf · cm		
(5) Temperature Condition:			
Operating Temperature	0°C ~ +60°C		
Storage Temperature	-20°C ~ +70°C		
(6) Input Power	> 0.5Watt		

(7) Measuring Circuit: ※Easy to match Impedance 50Ω by parallel with about ( 0.7 ) pF.

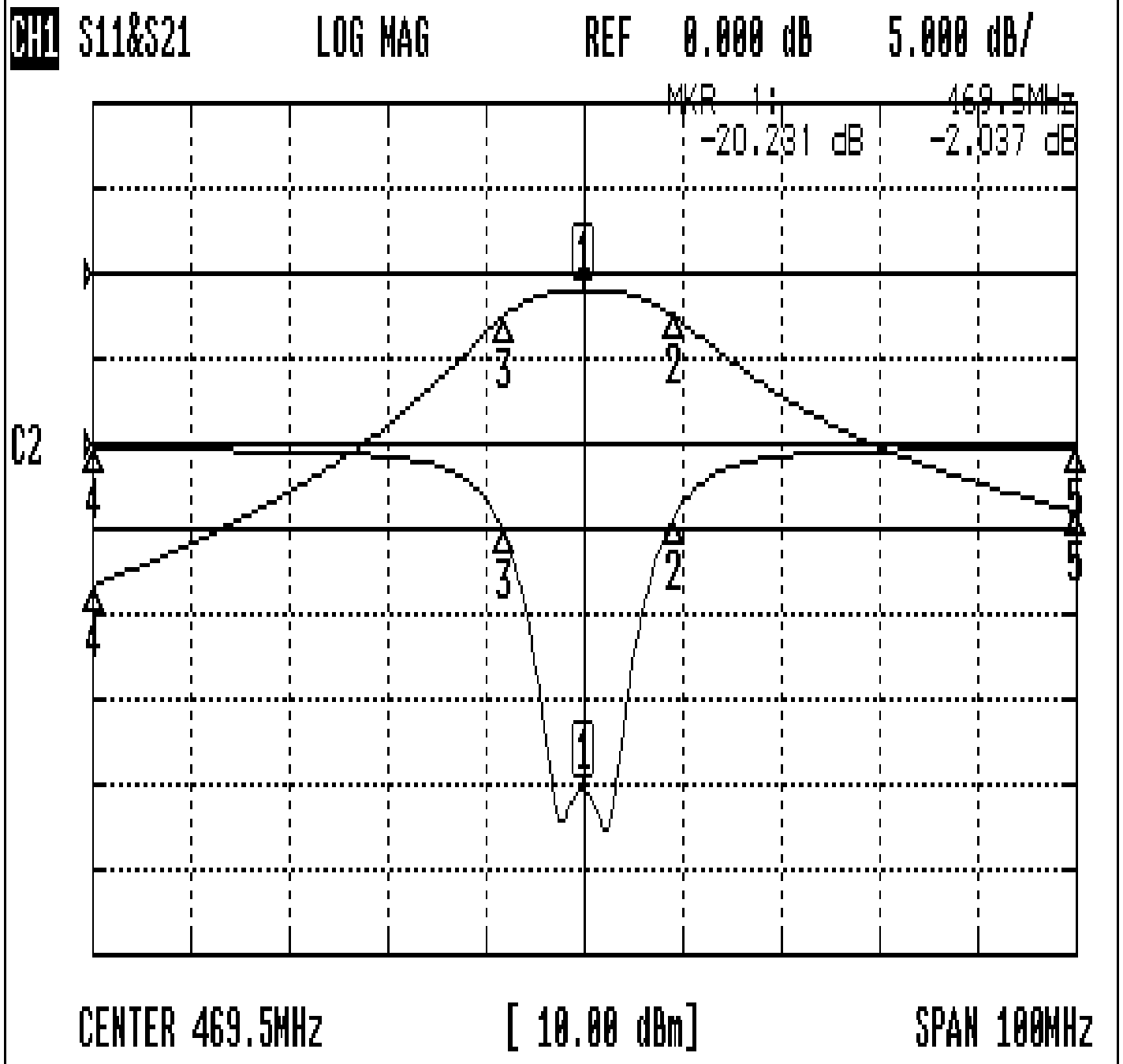


Approval	Supervisor	Designer	Aperture size
C.Y. Chang	C.S. Chang	J.F. Lin	5W2, 3.8*4.0(4.05) 5HW024RB3

TEMWELL CORPORATION

# Performance-TDW2648B-469.5M

## 20508021DC



### CH1 MARKER LIST

1:	469.500MHz	-20.231 dB	-2.037 dB
2:	478.666MHz	-4.280 dB	-5.075 dB
3:	461.333MHz	-5.134 dB	-5.042 dB
4:	419.500MHz	-0.340 dB	-36.601 dB
5:	519.500MHz	-0.315 dB	-27.882 dB