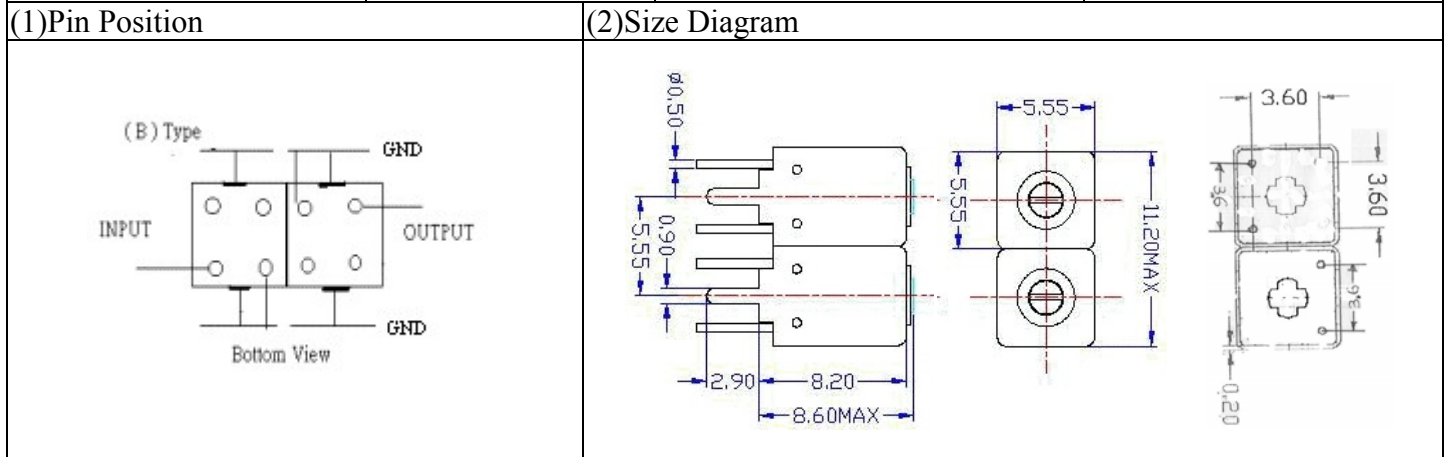


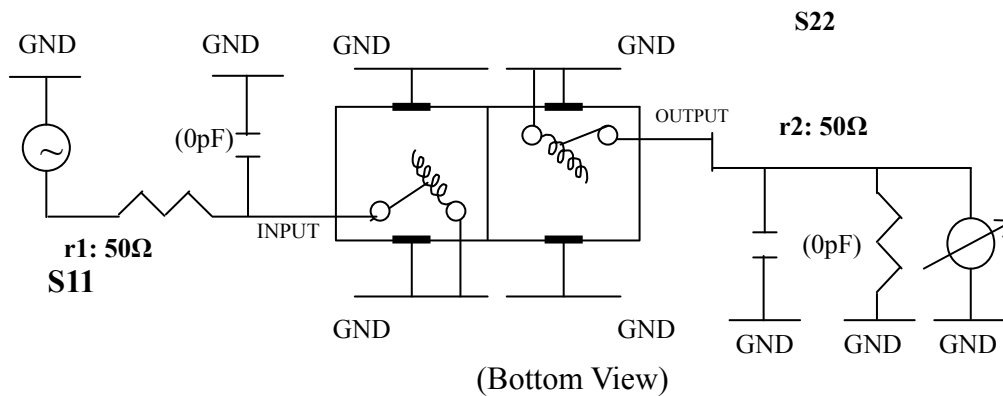
VHF UHF Helical Filter Specification Sheet

Customer Name		Temwell's Part No.	TDW2649B-525M
Approval No. /dated	0601060APR	Acceptable Specify Fo Range	501M~550M
Work Instruction No.	0601060DC	Date	Feb.10.2006



(3) Electric Character			
Item	Specify	Performance	
Center Freq.(Fo) +/- 0.5 %	525 MHz	525	MHz
Tunable Range:	525±5 MHz	525±5	MHz
Insertion Loss	Typ. 3.5 dB	2.28	dB
-3 dB Bandwidth	Typ. 10 MHz	17.6	MHz
Sensitivity (Attenuation)	Fo - 50 MHz	Typ. 34	dBc
	Fo + 50 MHz	Typ. 22	dBc
	Fo - ()MHz	Typ.	dBc
	Fo + ()MHz	Typ.	dBc
Return Loss	Min. 12 dB	29.4	dB
Ripple	< 1 dB		dB
Impedance	In / Out : 50 Ω	In / Out : 50 Ω	
(4) Torque for Tuning Screw		> 60gf · cm	
(5) Temperature Condition:			
Operating Temperature	0°C ~ +60°C		
Storage Temperature	-20°C ~ +70°C		
(6) Input Power	> 0.5Watt		

(7) Measuring Circuit: ※Easy to match Impedance 50Ω/ by parallel with about (0) pF.



Approval	Supervisor	Designer	Aperture size
C.Y. Chang	C.S. Chang	P.H. Chiang	5w2(3.8*4.0)(4.05) 5HW024RB3

TEMWELL CORPORATION

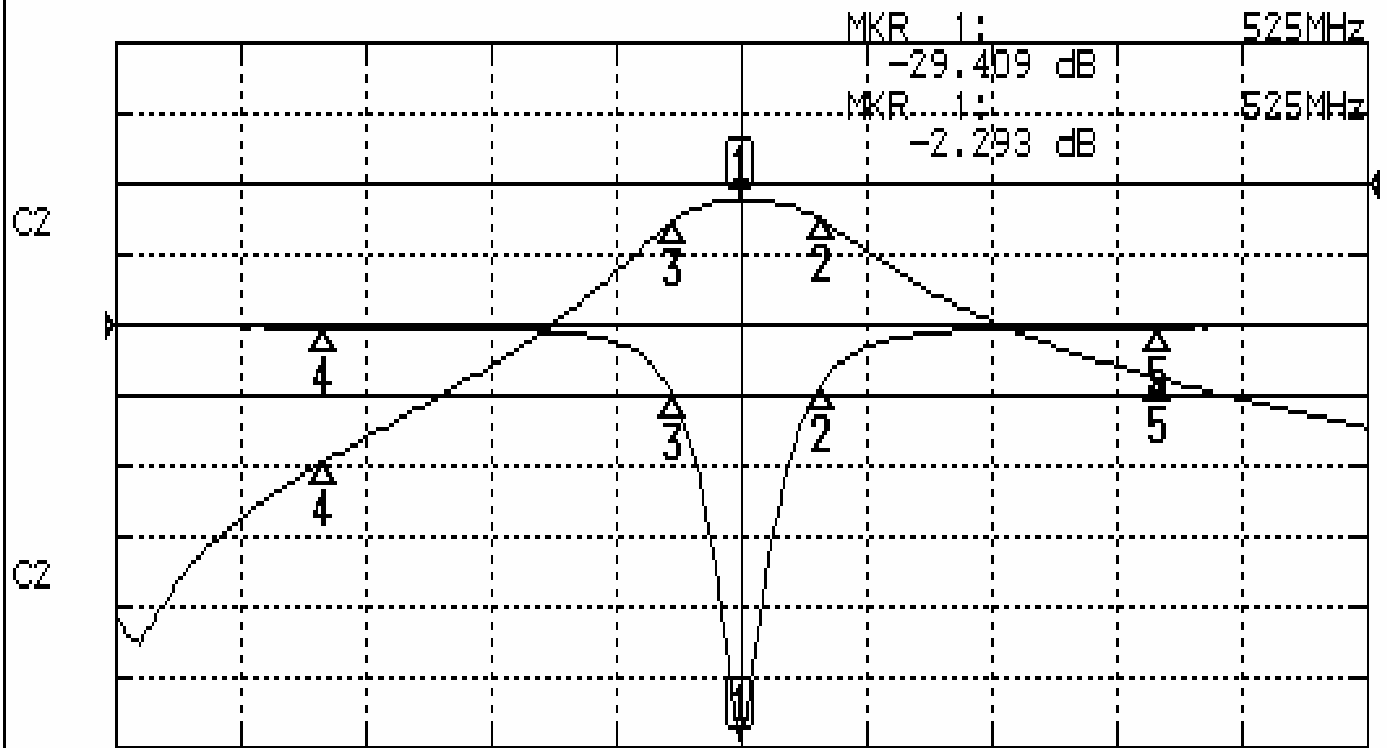
TEMWELL

RP(P.H)

Performance-TDW2649B-525M

0601060DC

CH1 S11 LOG MAG REF 0.000 dB 5.000 dB/
CH2 S21 LOG MAG REF 0.000 dB 10.000 dB/



CENTER 525MHz

[10.00 dBm]

SPAN 150MHz

CH1 MARKER LIST

1:	525.000MHz	-29.409 dB
2:	534.625MHz	-4.270 dB
3:	517.000MHz	-5.144 dB
4:	475.000MHz	-0.176 dB
5:	575.000MHz	-0.162 dB
6:		
7:		
8:		
9:		
10:		

CH2 MARKER LIST

1:	525.000MHz	-2.288 dB
2:	534.625MHz	-5.222 dB
3:	517.000MHz	-5.236 dB
4:	475.000MHz	-39.462 dB
5:	575.000MHz	-27.549 dB
6:		
7:		
8:		
9:		
10:		