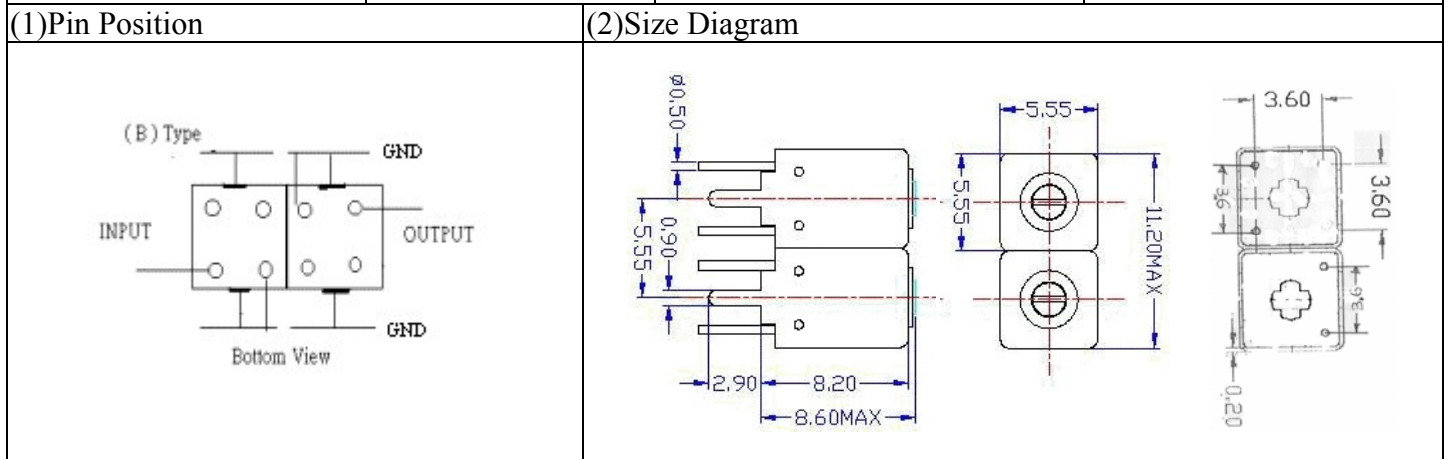


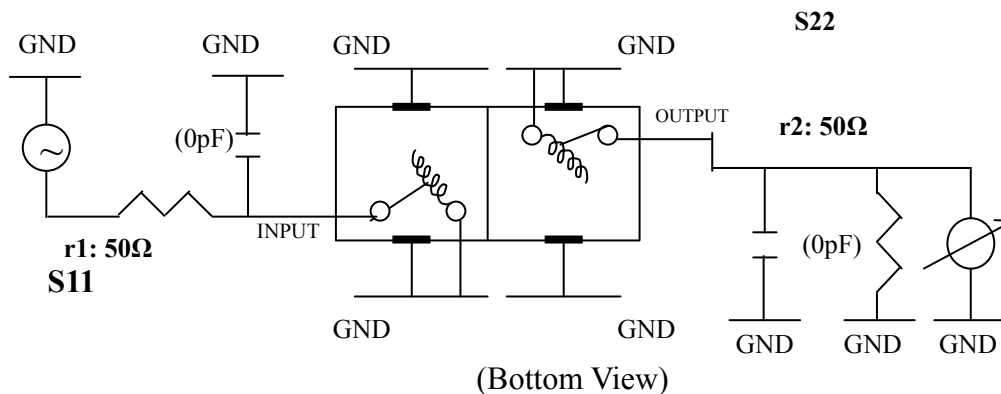
# VHF UHF Helical Filter Specification Sheet

Customer Name		Temwell's Part No.	TDW2650B-775M
Approval No. /dated	0601061APR	Acceptable Specify Fo Range	751M~800M
Work Instruction No.	0601061DC	Date	Feb.09.2006



(3) Electric Character		Item	Specify	Performance
Center Freq.(Fo ) +/- 0.5 %			775 MHz	775 MHz
Tunable Range:			775±5 MHz	775±5 MHz
Insertion Loss		Typ.	3.5 dB	2.59 dB
-3 dB Bandwidth		Typ.	10 MHz	21.8 MHz
Sensitivity (Attenuation)	Fo - 50 MHz	Typ.	26 dBc	29 dBc
	Fo + 50 MHz	Typ.	19 dBc	22 dBc
	Fo - ( )MHz	Typ.	dBc	dBc
	Fo + ( )MHz	Typ.	dBc	dBc
Return Loss		Min.	12 dB	20.0 dB
Ripple			< 1 dB	dB
Impedance			In / Out : 50 $\Omega$	In / Out : 50 $\Omega$
(4) Torque for Tuning Screw			> 60gf · cm	
(5) Temperature Condition:				
Operating Temperature			0°C ~ +60°C	
Storage Temperature			-20°C ~ +70°C	
(6) Input Power			> 0.5Watt	

(7) Measuring Circuit: ※Easy to match Impedance 50 $\Omega$ / by parallel with about (0) pF.

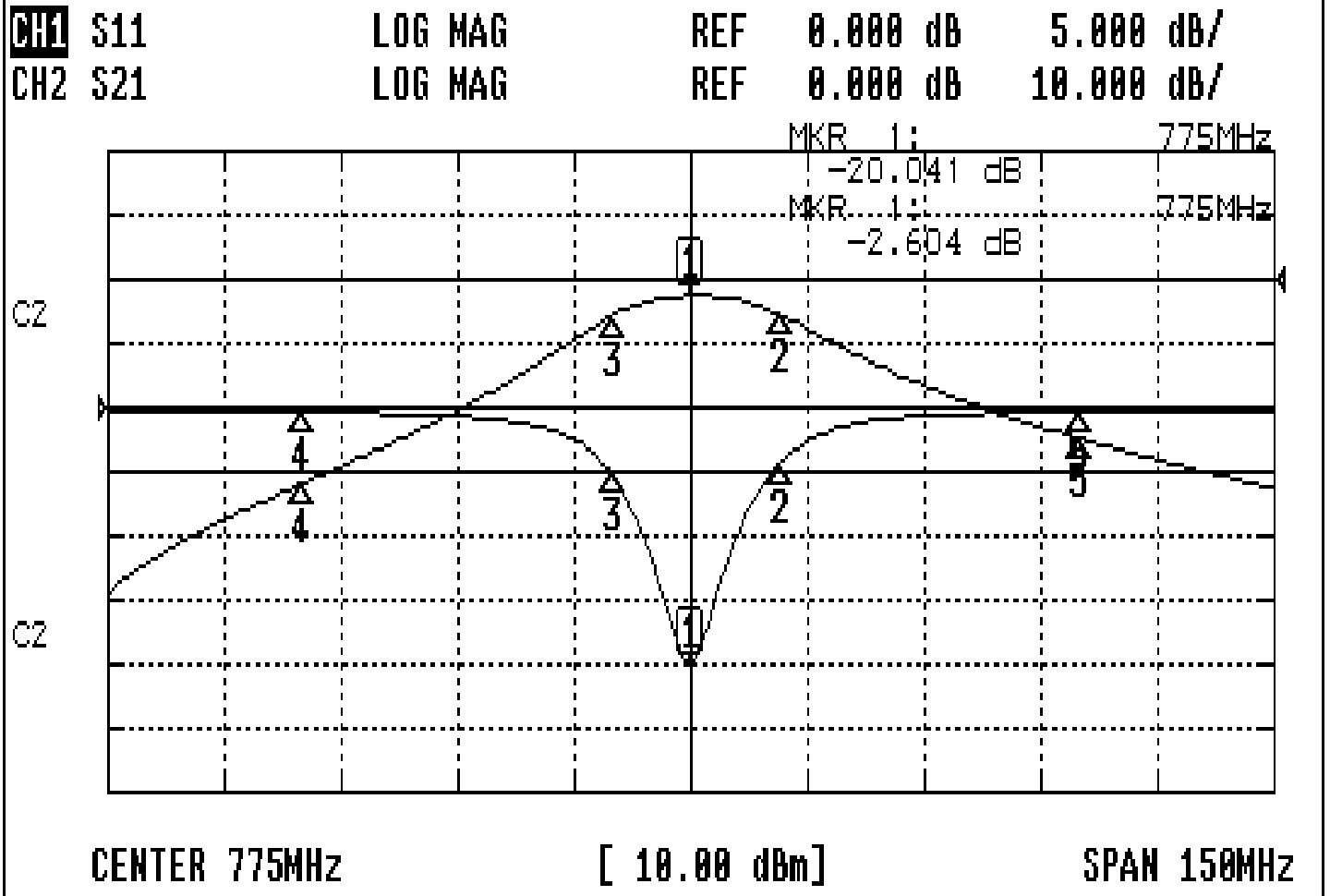


Approval	Supervisor	Designer	Aperture size
C.Y. Chang	C.S. Chang	P.H. Chiang	5w2(3.8*4.0)(4.07) 5HW024RB3
TEMWELL		CORPORATION	

TEMWELL RP(P.H)

# Performance-TDW2650B-775M

## 0601061DC



### CH1 MARKER LIST

1	775.000MHz	-20.041 dB
2	786.625MHz	-4.268 dB
3	764.875MHz	-5.142 dB
4	725.000MHz	-0.345 dB
5	825.000MHz	-0.300 dB

### CH2 MARKER LIST

1	775.000MHz	-2.599 dB
2	786.625MHz	-5.626 dB
3	764.875MHz	-5.671 dB
4	725.000MHz	-31.842 dB
5	825.000MHz	-24.769 dB