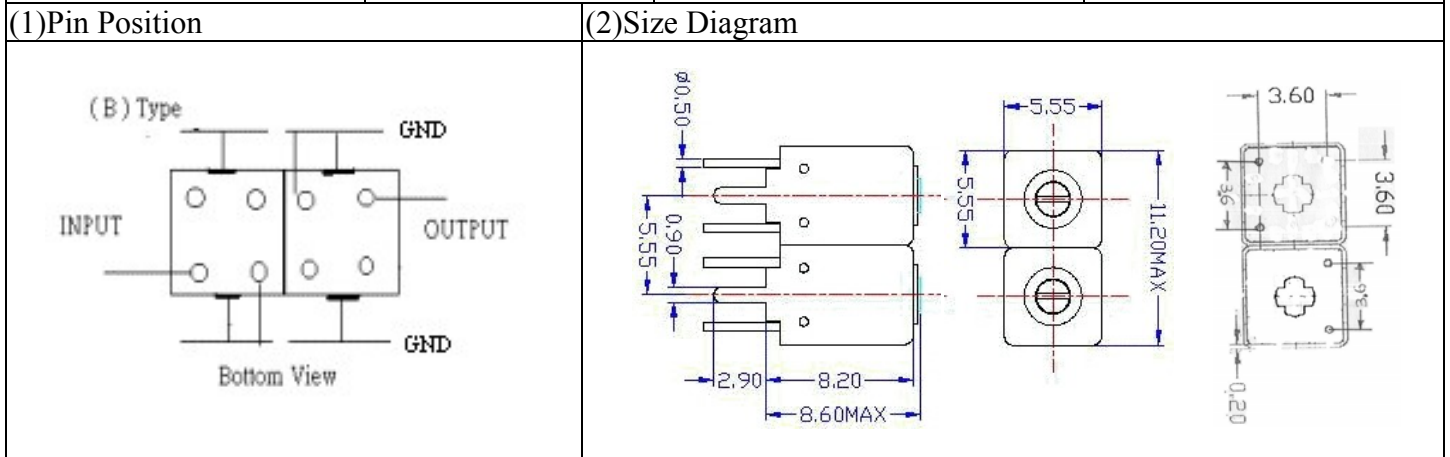


# VHF UHF Helical Filter Specification Sheet

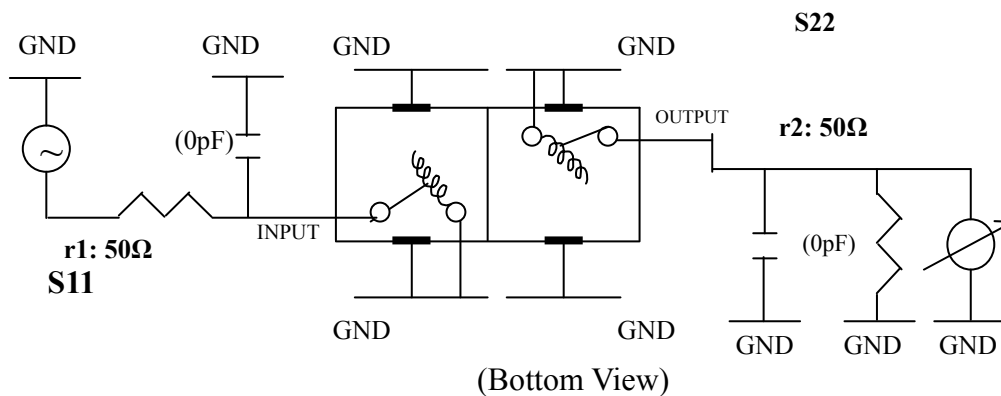
Customer Name		Temwell's Part No.	TDW2652B-1025M
Approval No. /dated	0601063APR	Acceptable Specify Fo Range	1001M~1050M
Work Instruction No.	0601063DC	Date	Feb.13.2006



(3) Electric Character		Item	Specify	Performance
		Center Freq.(Fo ) +/- 0.5 %	1025 MHz	1025 MHz
		Tunable Range:	1025±10 MHz	1025±10 MHz
		Insertion Loss	Typ. 3.5 dB	2.93 dB
		-3 dB Bandwidth	Typ. 18 MHz	23.6 MHz
Sensitivity (Attenuation)	Fo - 50 MHz	Typ. 22 dBc		25 dBc
	Fo + 50 MHz	Typ. 19 dBc		22 dBc
	Fo - ( )MHz	Typ. dBc		dBc
	Fo + ( )MHz	Typ. dBc		dBc
		Return Loss	Min. 12 dB	21.7 dB
		Ripple	< 1 dB	dB
		Impedance	In / Out : 50 Ω	In / Out : 50 Ω

(4) Torque for Tuning Screw	> 60gf · cm
(5) Temperature Condition:	
Operating Temperature	0°C ~ +60°C
Storage Temperature	-20°C ~ +70°C
(6) Input Power	> 0.5Watt

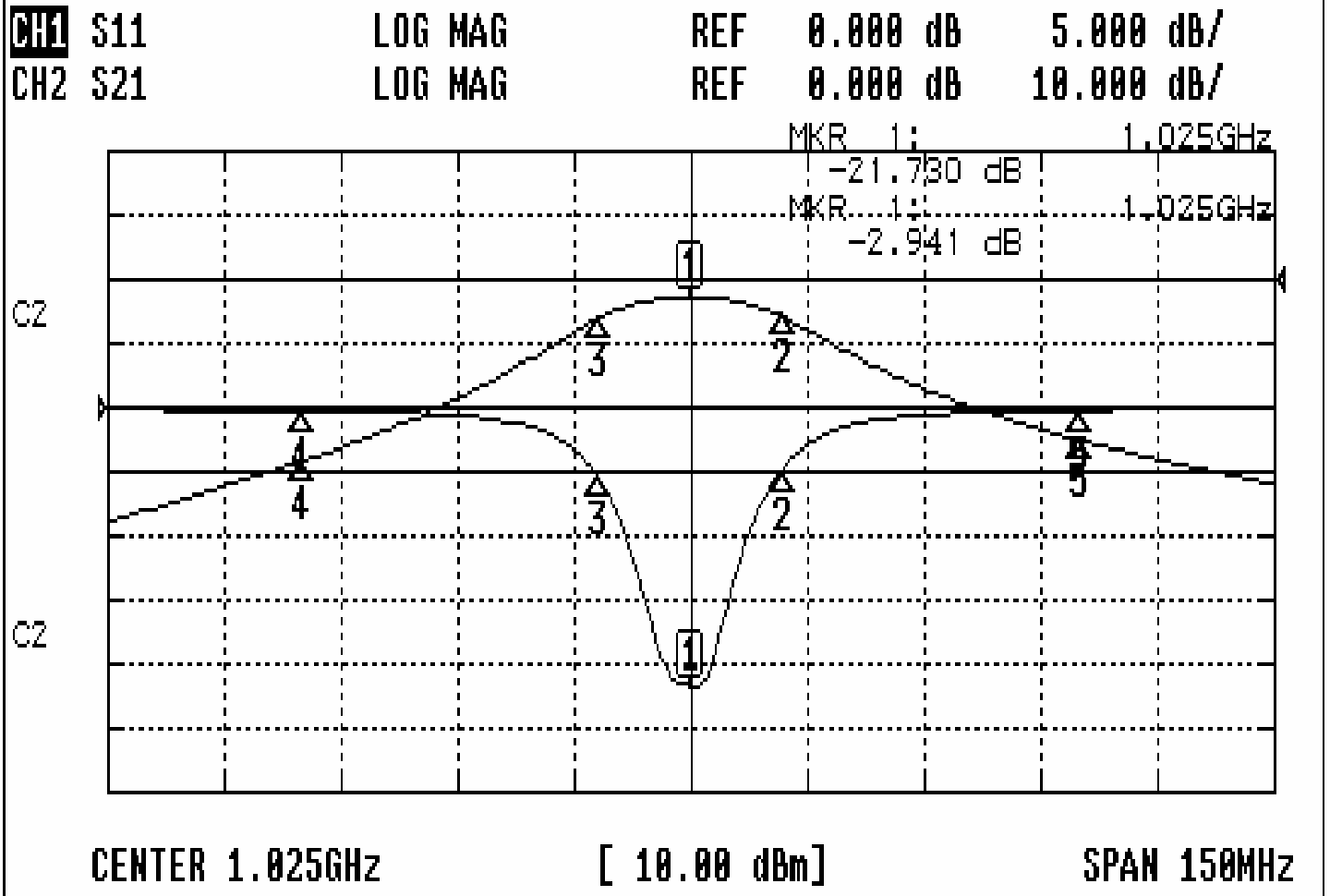
(7) Measuring Circuit: ※Easy to match Impedance 50Ω/ by parallel with about (0) pF.



Approval	Supervisor	Designer	Aperture size
C.Y. Chang	C.S. Chang	P.H. Chiang	5w2(3.8*3.5)(3.57) 5HW024RB3
TEMWELL		CORPORATION	

# Performance-TDW2652B-1025M

## 0601063DC



### CH1 MARKER LIST

1	1.025	000GHz	-21.730	dB
2	1.036	875GHz	-4.762	dB
3	1.013	250GHz	-5.494	dB
4	.975	.000MHz	-0.217	dB
5	1.075	000GHz	-0.175	dB

### CH2 MARKER LIST

1	1.025	000GHz	-2.937	dB
2	1.036	875GHz	-1.920	dB
3	1.013	250GHz	-1.952	dB
4	.975	.000MHz	-28.359	dB
5	1.075	000GHz	-25.060	dB