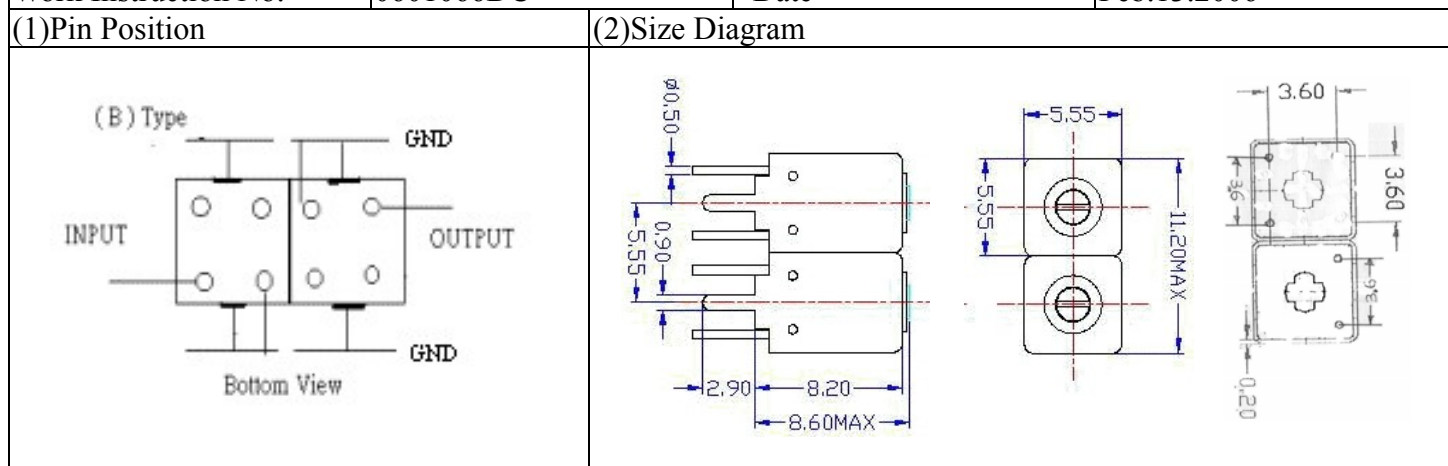


# VHF UHF Helical Filter Specification Sheet

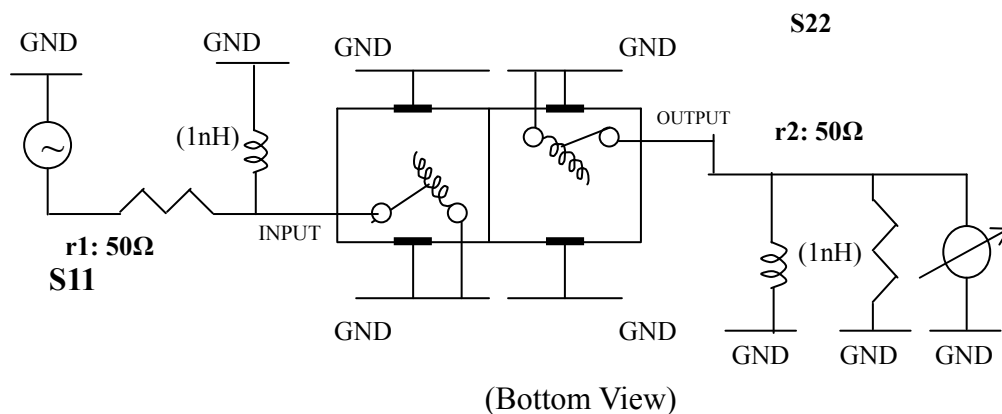
Customer Name		Temwell's Part No.	TDW2655B-1175M
Approval No. /dated	0601066APR	Customer's Part No.	1151M~1200M
Work Instruction No.	0601066DC	Date	Feb.13.2006



(3) Electric Character					
Item		Specify		Performance	
Center Freq.(Fo ) +/- 0.5 %		1175 MHz		1175 MHz	
Tunable Range:		1175±10 MHz		1175±10 MHz	
Insertion Loss		Typ. 4.5 dB		3.88 dB	
-3 dB Bandwidth		Typ. 20 MHz		26.0 MHz	
Sensitivity (Attenuation)	Fo - 50 MHz	Typ. 17 dBc		20 dBc	
	Fo + 50 MHz	Typ. 14 dBc		17 dBc	
	Fo - ( )MHz	Typ. dBc		dBc	
	Fo +( )MHz	Typ. dBc		dBc	
Return Loss		Min. 12 dB		17.2 dB	
Ripple		< 1 dB		dB	
Impedance		In / Out : 50 Ω		In / Out : 50 Ω	
(4) Torque for Tuning Screw		> 60gf · cm			

(5) Temperature Condition:	
Operating Temperature	0°C ~ +60°C
Storage Temperature	-20°C ~ +70°C
(6) Input Power	> 0.5Watt

(7) Measuring Circuit: ※Easy to match Impedance 50Ω by parallel with about ( 1 ) nH.



Approval	Supervisor	Designer	Aperture size
C.Y. Chang	C.S. Chang	P.H. Chiang	5w2(3.8*3.5)(3.58) 5HW024RB3

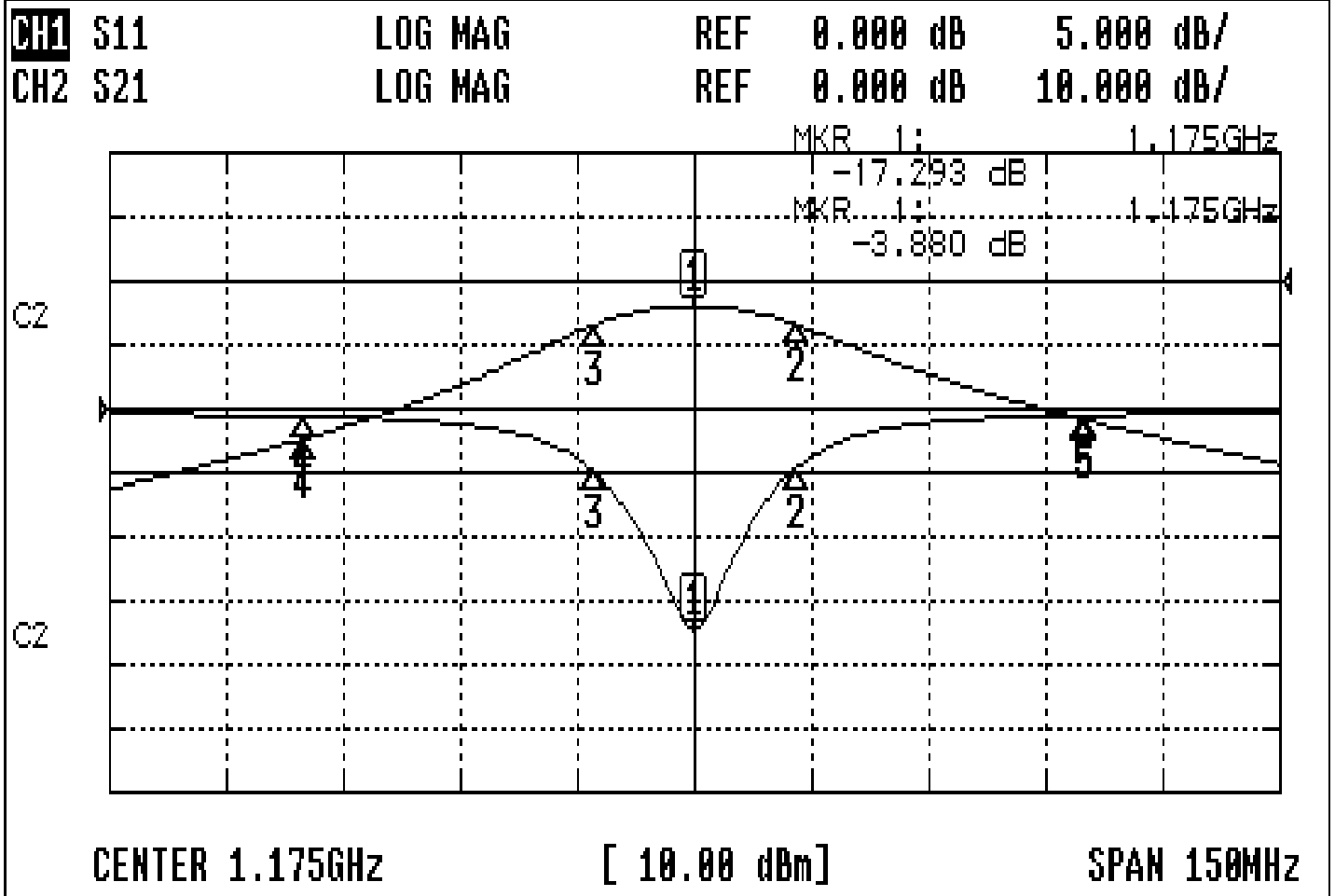
TEMWELL CORPORATION

TEMWELL

RP(P.H)

# Performance-TDW2655B-1175M

## 0601066DC



### CH1 MARKER LIST

1:	1.175 000GHz	-17.293	dB
2:	1.188 125GHz	-4.571	dB
3:	1.162 125GHz	-4.938	dB
4:	1.125 000GHz	-0.554	dB
5:	1.225 000GHz	-0.492	dB

### CH2 MARKER LIST

1:	1.175 000GHz	-3.880	dB
2:	1.188 125GHz	-1.666	dB
3:	1.162 125GHz	-1.666	dB
4:	1.125 000GHz	-24.641	dB
5:	1.225 000GHz	-21.666	dB