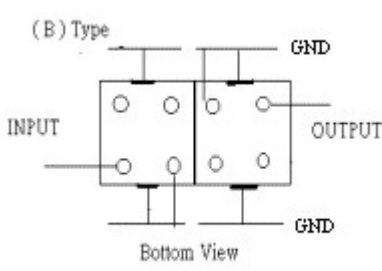
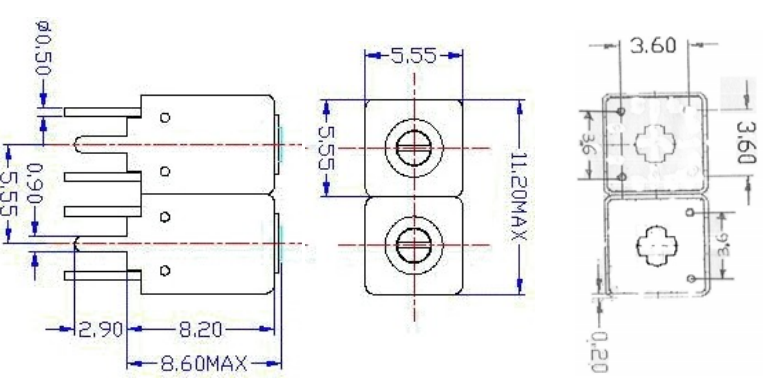


VHF UHF Helical Filter Specification Sheet

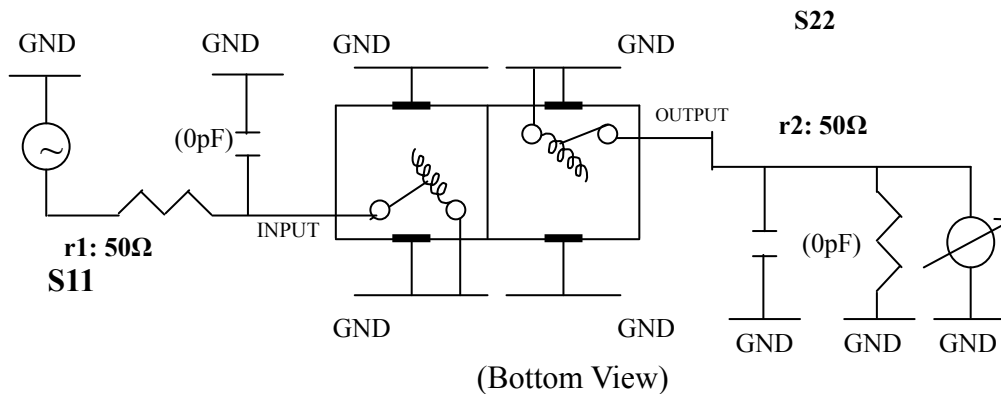
Customer Name		Temwell's Part No.	TDW2661B-475M
Approval No. /dated	0602026APR	Acceptable Specify Fo Range	451~500M
Work Instruction No.	0602026DC	Date	Apr.24.2006

<p>(1) Pin Position</p> 	<p>(2) Size Diagram</p> 
---	--

(3) Electric Character			
Item	Specify	Performance	
Center Freq. (Fo) +/- 0.5 %	475 MHz	475	MHz
Tunable Range:	475±10 MHz	475±10	MHz
Insertion Loss	Typ. 3.5 dB	2.16	dB
-3 dB Bandwidth	Typ. 15 MHz	22.4	MHz
Sensitivity (Attenuation)	Fo - 50 MHz	Typ. 17	dBc
	Fo + 50 MHz	Typ. 26	dBc
	Fo - ()MHz	Typ.	dBc
	Fo +()MHz	Typ.	dBc
Return Loss	Min. 12 dB	29.4	dB
Ripple	< 1 dB		dB
Impedance	In / Out : 50 Ω	In / Out : 50 Ω	

(4) Torque for Tuning Screw	> 60gf · cm
(5) Temperature Condition:	
Operating Temperature	0°C ~ +60°C
Storage Temperature	-20°C ~ +70°C
(6) Input Power	> 0.5Watt

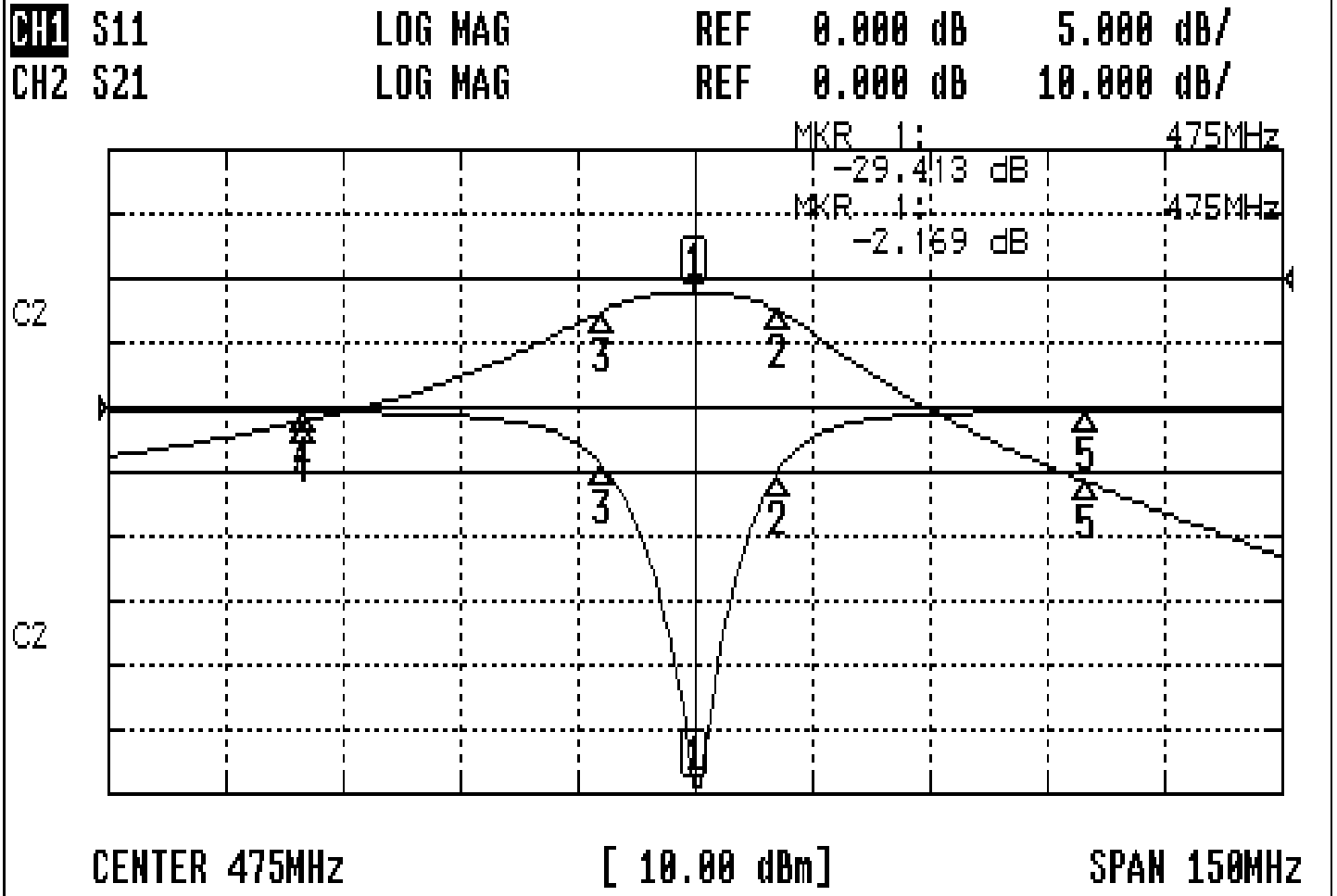
(7) Measuring Circuit: ※Easy to match Impedance 50Ω/ by parallel with about (0) pF.



Approval	Supervisor	Designer	Aperture size
C.Y. Chang	C.S. Chang	P.H. Chiang	5w2(3.8*4.5)(4.57) 5HW024RB3
TEMWELL		CORPORATION	

Performance-TDW2661B-475M

0602026DC



CH1 MARKER LIST

1:	475.000MHz	-29.413	dB
2:	485.625MHz	-5.040	dB
3:	463.250MHz	-4.502	dB
4:	425.000MHz	-0.342	dB
5:	525.000MHz	-0.308	dB
10:			

CH2 MARKER LIST

1:	475.000MHz	-2.169	dB
2:	485.625MHz	-5.049	dB
3:	463.250MHz	-5.064	dB
4:	425.000MHz	-22.177	dB
5:	525.000MHz	-31.575	dB
10:			