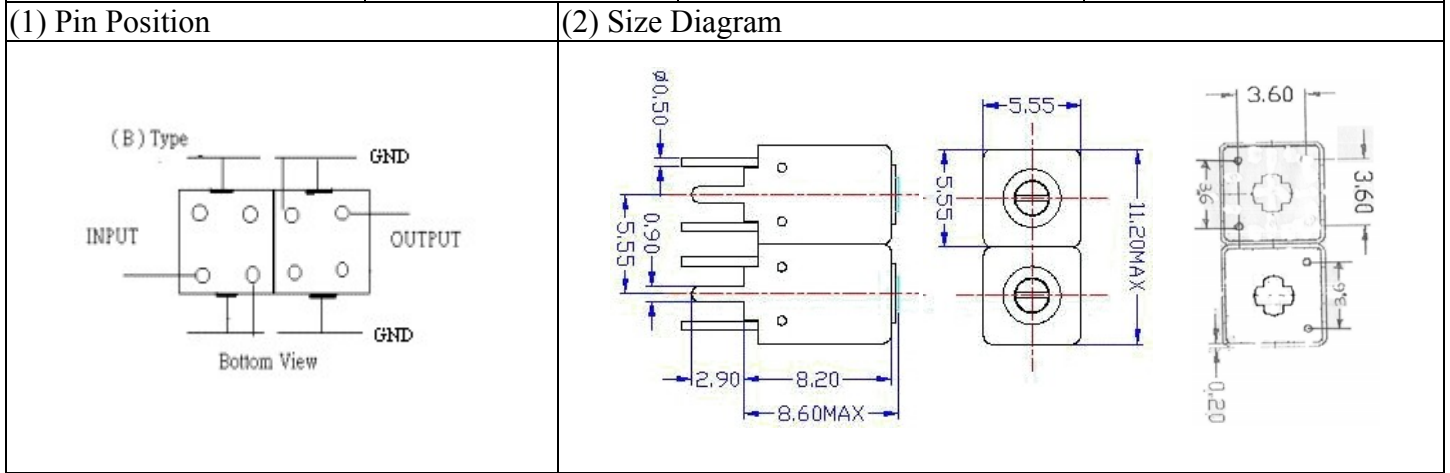


# VHF UHF Helical Filter Specification Sheet

Customer Name		Temwell's Part No.	TDW2662B-575M
Approval No. /dated	0602027APR	Acceptable Specify Fo Range	551~600M
Work Instruction No.	0602027DC	Date	Apr.24.2006



(3) Electric Character			
Item	Specify	Performance	
Center Freq. (Fo) +/- 0.5 %	575 MHz	575	MHz
Tunable Range:	575±5 MHz	575±5	MHz
Insertion Loss	Typ. 3.5 dB	2.70	dB
-3 dB Bandwidth	Typ. 15 MHz	24.9	MHz
Sensitivity (Attenuation)	Fo - 50 MHz	Typ. 15	dBc
	Fo + 50 MHz	Typ. 25	dBc
	Fo - ( )MHz	Typ.	dBc
	Fo + ( )MHz	Typ.	dBc
Return Loss	Min. 12 dB	21.9	dB
Ripple	< 1 dB		dB
Impedance	In / Out : 50 Ω	In / Out : 50 Ω	

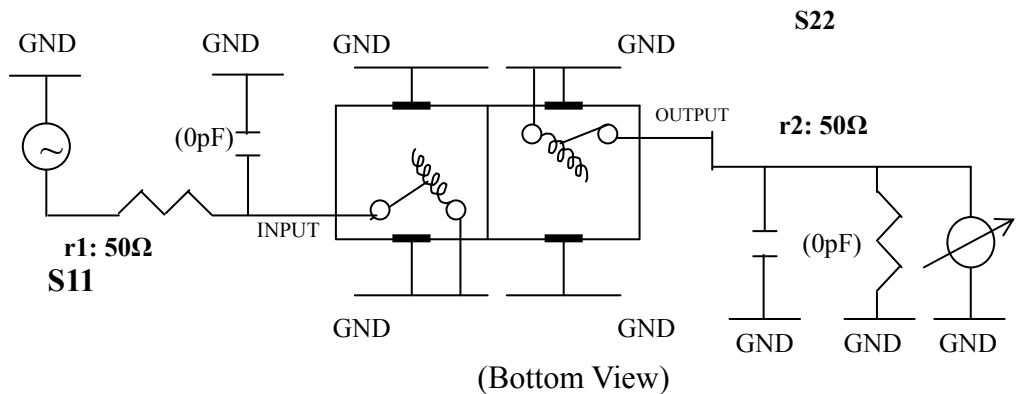
(4) Torque for Tuning Screw > 60gf • cm

(5) Temperature Condition:

Operating Temperature	0°C ~ +60°C
Storage Temperature	-20°C ~ +70°C

(6) Input Power > 0.5Watt

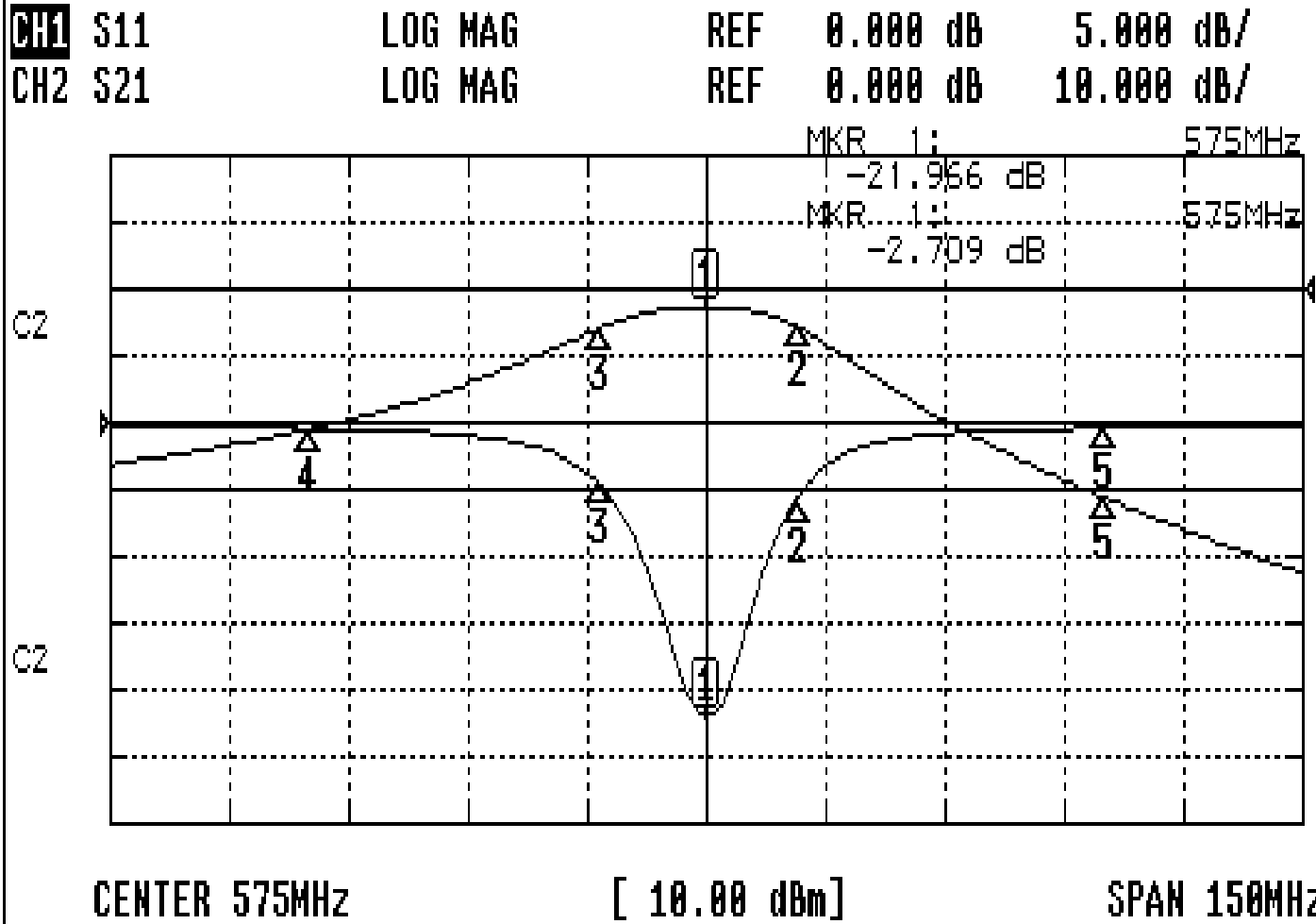
(7) Measuring Circuit: ※Easy to match Impedance 50Ω/ by parallel with about (0) pF.



Approval	Supervisor	Designer	Aperture size
C.Y. Chang	C.S. Chang	P.H. Chiang	5w2(3.8*4.5)(4.56) 5HW024LB3
TEMWELL		CORPORATION	

# Performance-TDW2662B-575M

## 0602027DC



### CH1 MARKER LIST

1:	575.000MHz	-21.966	dB
2:	586.500MHz	-5.603	dB
3:	561.625MHz	-4.626	dB
4:	525.000MHz	-0.449	dB
5:	625.000MHz	-0.406	dB

### CH2 MARKER LIST

1:	575.000MHz	-2.709	dB
2:	586.500MHz	-5.600	dB
3:	561.625MHz	-5.755	dB
4:	525.000MHz	-20.913	dB
5:	625.000MHz	-31.150	dB