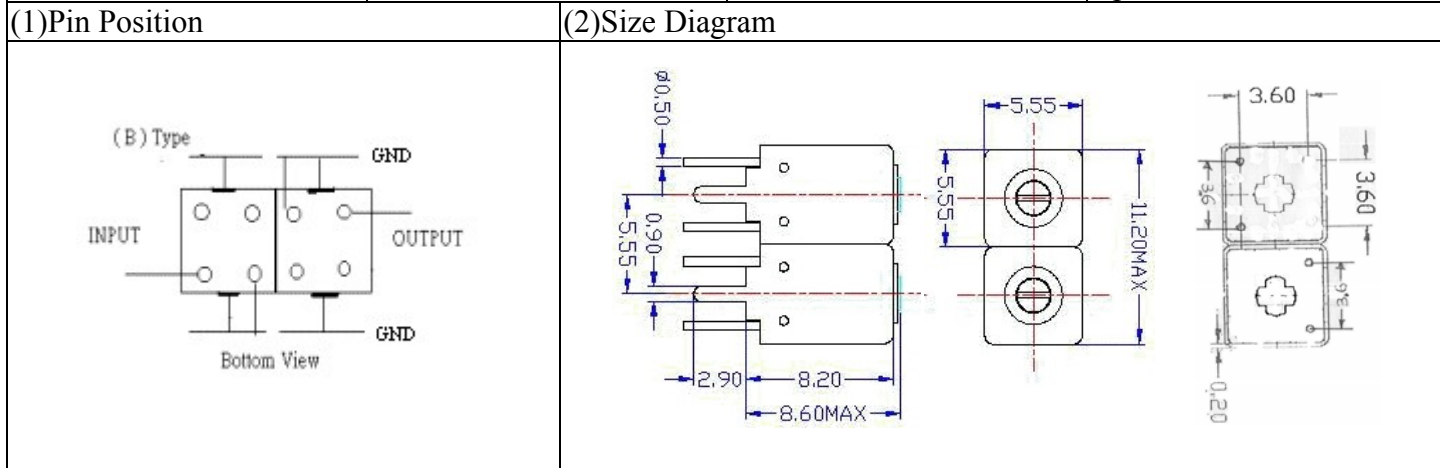


VHF UHF Helical Filter Specification Sheet

Customer Name		Temwell's Part No.	TDW2664B-675M-15M
Approval No. /dated	0602029APR	Acceptable Specify Fo Range	651M~700M
Work Instruction No.	0602029DC	Date	Apr.17.2006



(3) Electric Character

Item	Specify	Performance	
Center Freq.(Fo) +/- 0.5 %	675 MHz	675 MHz	
Tunable Range:	675±5 MHz	675±5 MHz	
Insertion Loss	Typ. 3.0 dB	2.12 dB	
-3 dB Bandwidth	Typ. 15 MHz	25.0 MHz	
Sensitivity (Attenuation)	Fo - 50 MHz	Typ. 25 dBc	28 dBc
	Fo + 50 MHz	Typ. 18 dBc	21 dBc
	Fo - ()MHz	Typ. dBc	dBc
	Fo +()MHz	Typ. dBc	dBc
Return Loss	Min. 12 dB	29.4 dB	
Ripple	< 1 dB	dB	
Impedance	In / Out : 50 Ω	In / Out : 50 Ω	

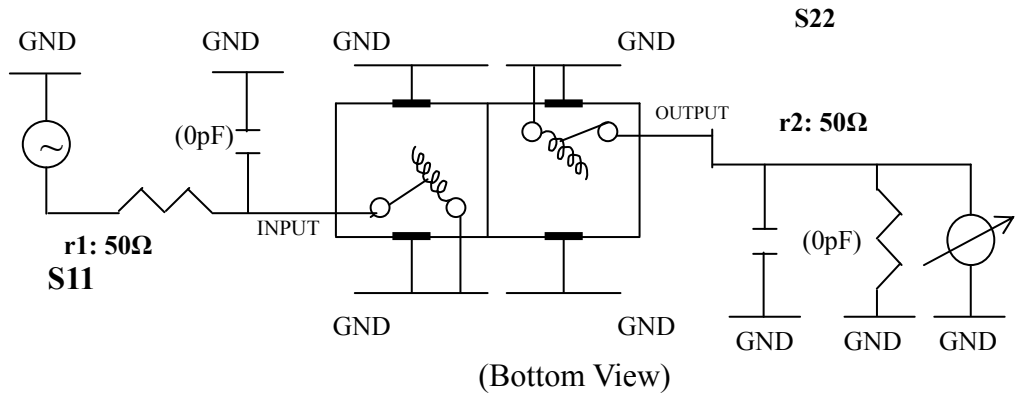
(4) Torque for Tuning Screw > 60gf • cm

(5) Temperature Condition:

Operating Temperature	0°C ~ +60°C
Storage Temperature	-20°C ~ +70°C

(6) Input Power > 0.5Watt

(7) Measuring Circuit: ※Easy to match Impedance 50Ω/ by parallel with about (0) pF.

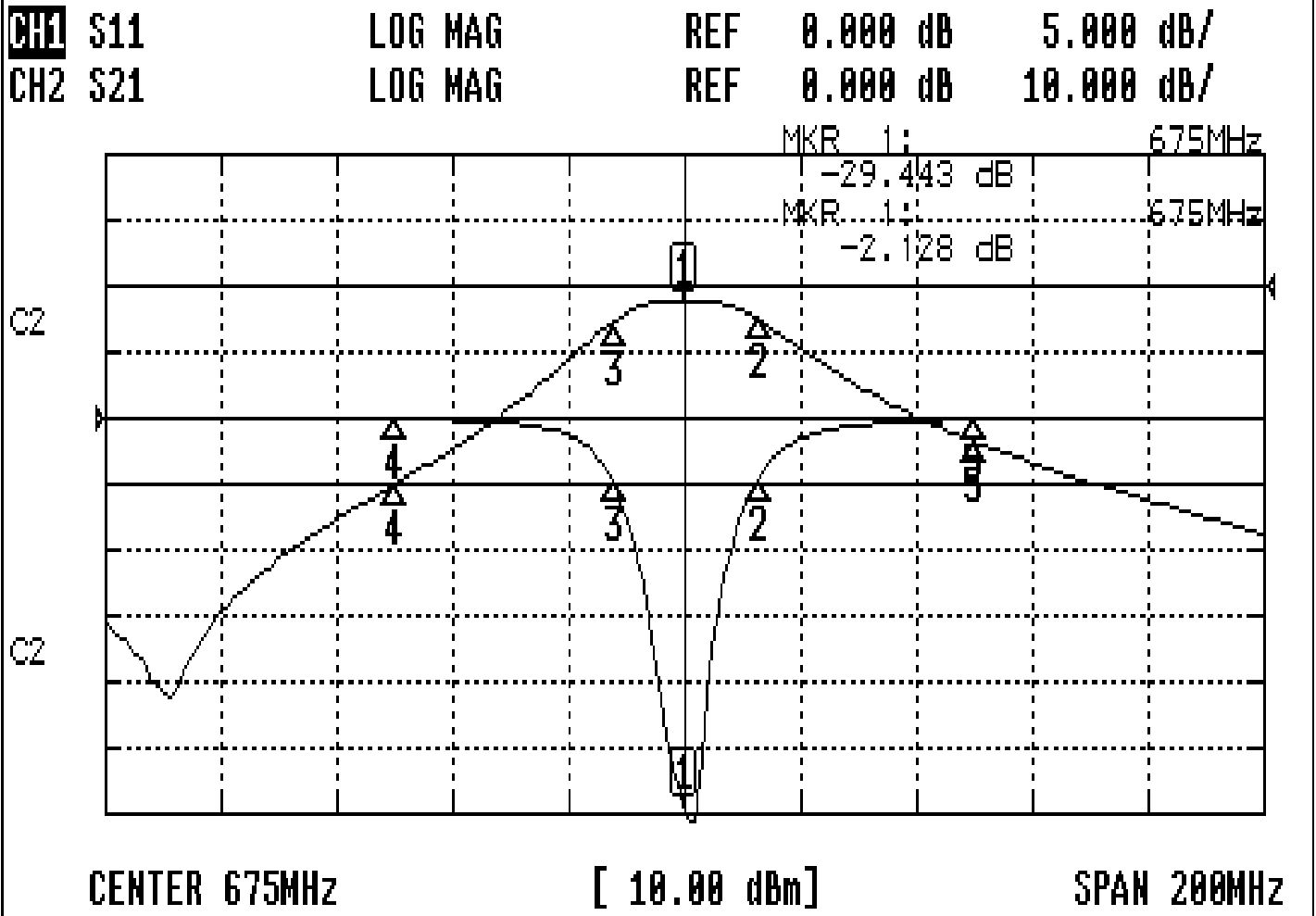


Approval	Supervisor	Designer	Aperture size
C.Y. Chang	C.S. Chang	C.S. Chang	5w2(3.8*4.0)(4.12) 5HW024RB3

TEMWELL CORPORATION

Performance-TDW2664B-675M

0602029DC



CH1 MARKER LIST

1:	675.000MHz	-29.443	dB
2:	687.833MHz	-4.535	dB
3:	662.833MHz	-4.907	dB
4:	625.000MHz	-0.053	dB
5:	725.000MHz	-0.090	dB

CH2 MARKER LIST

1:	675.000MHz	-2.128	dB
2:	687.833MHz	-1.642	dB
3:	662.833MHz	-1.739	dB
4:	625.000MHz	-30.029	dB
5:	725.000MHz	-23.518	dB