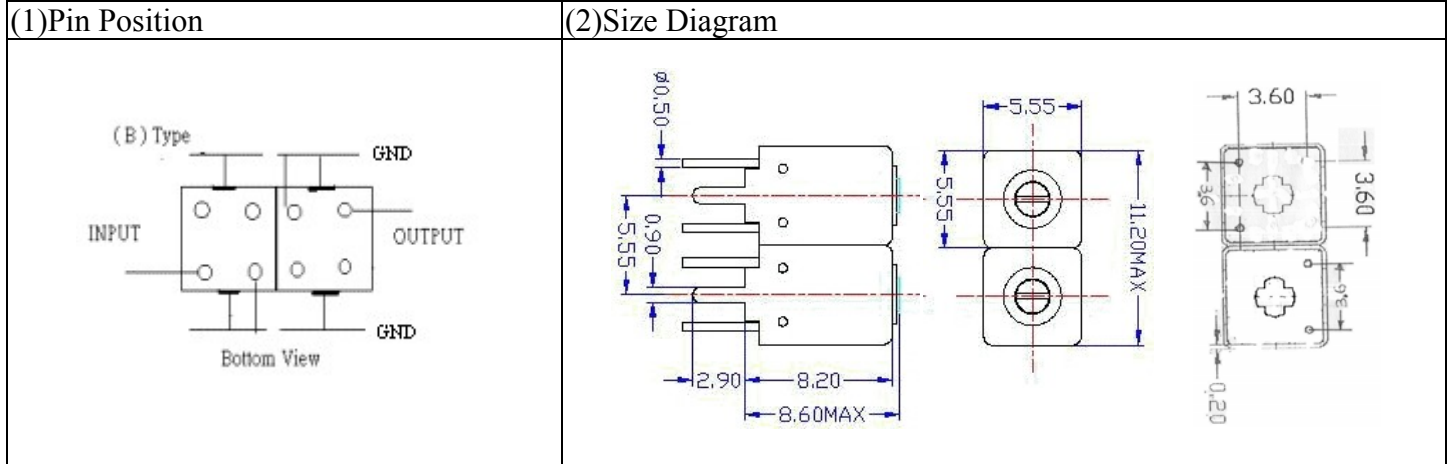


# VHF UHF Helical Filter Specification Sheet

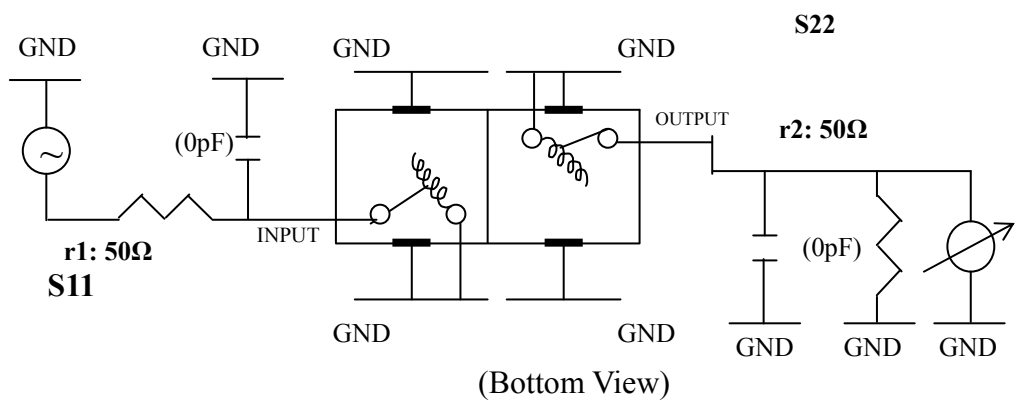
Customer Name		Temwell's Part No.	TDW2665B-725M
Approval No. /dated	0602030APR	Acceptable Specify Fo Range	701M~750M
Work Instruction No.	0602030DC	Date	Apr.17.2006



(3) Electric Character		Item	Specify	Performance
Center Freq.(Fo ) +/- 0.5 %			725 MHz	725 MHz
Tunable Range:			725±5 MHz	725±5 MHz
Insertion Loss		Typ.	3.0 dB	2.22 dB
-3 dB Bandwidth		Typ.	21 MHz	25.3 MHz
Sensitivity (Attenuation)	Fo - 50 MHz	Typ.	24 dBc	27 dBc
	Fo + 50 MHz	Typ.	18 dBc	21 dBc
	Fo - ( )MHz	Typ.	dBc	dBc
	Fo + ( )MHz	Typ.	dBc	dBc
Return Loss		Min.	12 dB	22.9 dB
Ripple			< 1 dB	dB
Impedance			In / Out : 50 Ω	In / Out : 50 Ω

(4) Torque for Tuning Screw	> 60gf · cm
(5) Temperature Condition:	
Operating Temperature	0°C ~ +60°C
Storage Temperature	-20°C ~ +70°C
(6) Input Power	> 0.5Watt

(7) Measuring Circuit: ※Easy to match Impedance 50Ω/ by parallel with about (0) pF.



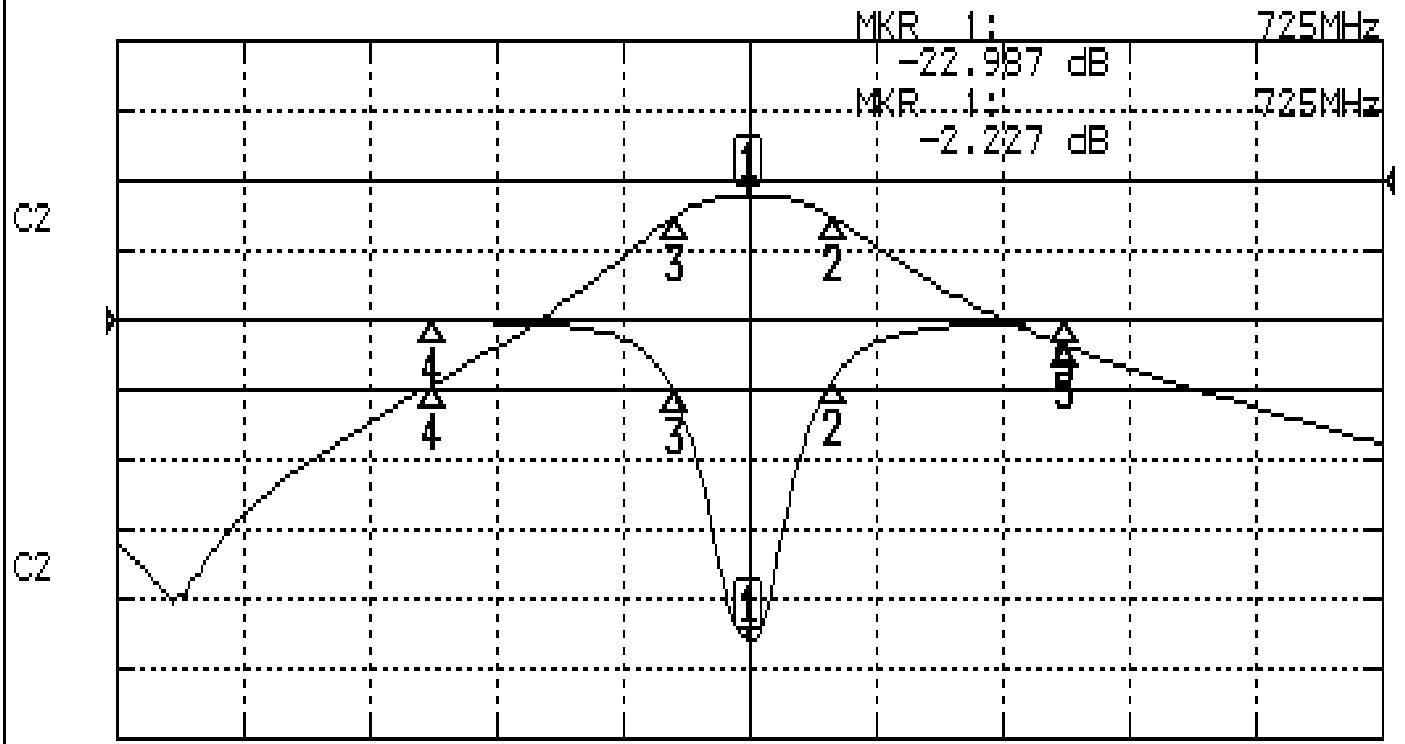
Approval	Supervisor	Designer	Aperture size
C.Y. Chang	C.S. Chang	C.S. Chang	5w2(3.8*4.0)(4.12) 5HW0245RB3

TEMWELL CORPORATION

# Performance-TDW2665B-725M

## 0602030DC

CH1 S11 LOG MAG REF 0.000 dB 5.000 dB/  
CH2 S21 LOG MAG REF 0.000 dB 10.000 dB/



CENTER 725MHz

[ 10.00 dBm ]

SPAN 200MHz

### CH1 MARKER LIST

1:	725.000MHz	-22.987	dB
2:	738.333MHz	-4.246	dB
3:	713.000MHz	-5.075	dB
4:	675.000MHz	-0.053	dB
5:	775.000MHz	-0.079	dB

### CH2 MARKER LIST

1:	725.000MHz	-2.229	dB
2:	738.333MHz	-5.228	dB
3:	713.000MHz	-5.235	dB
4:	675.000MHz	-29.214	dB
5:	775.000MHz	-23.697	dB