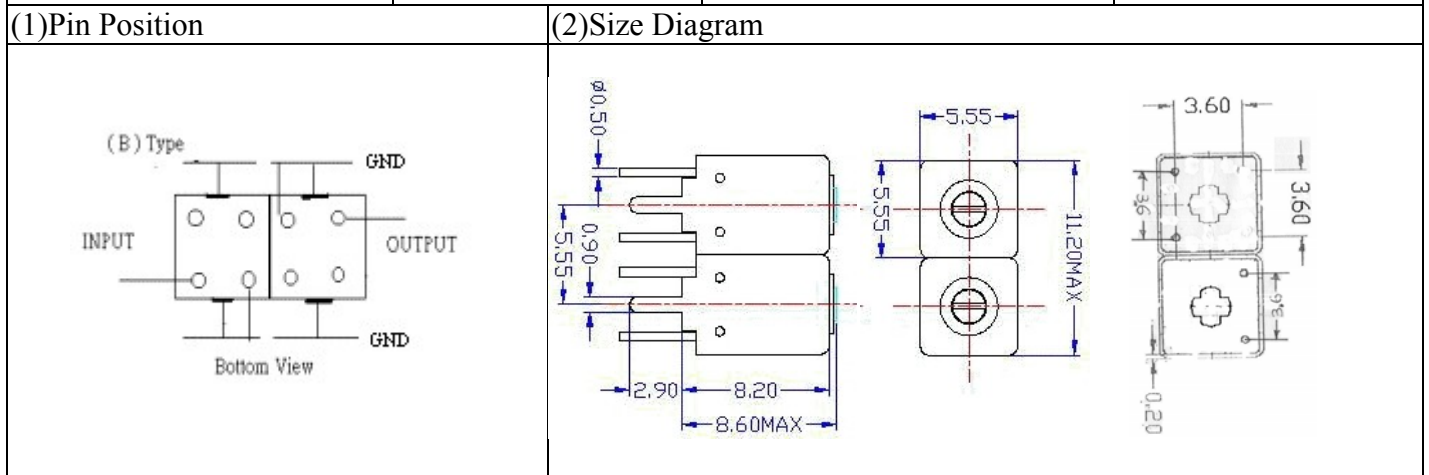
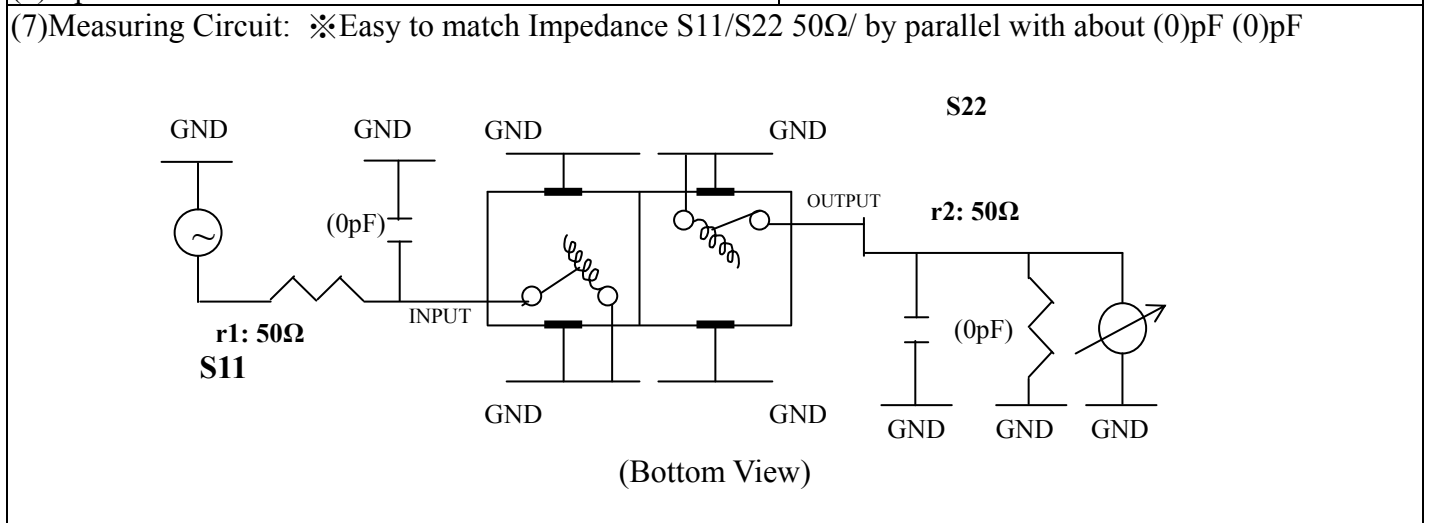


VHF UHF Helical Filter Specification Sheet

Customer Name		Temwell's Part No.	TDW2681B1-425M
Approval No. /dated	0707270APR	Acceptable Specify Fo Range	2681B1 425M
Work Instruction No.	200907001ED	Date	Jul.03.2009



(3) Electric Characteristic			
Item		Specify	Performance
Center Freq.(Fo) +/- 0.05 %		425 MHz	425 MHz
Insertion Loss		Typ. 2.5 dB	1.64 dB
-3 dB Bandwidth		Typ. 23 MHz	25.6 MHz
Sensitivity (Attenuation)	Fo - 50 MHz	Typ. 25 dBc	28 dBc
	Fo + 50 MHz	Typ. 15 dBc	19 dBc
	Fo - ()MHz	Typ. dBc	dBc
	Fo +()MHz	Typ. dBc	dBc
Return Loss		Min. 12 dB	22.6 dB
Ripple		< 1 dB	dB
Impedance		In / Out : 50 Ω	In / Out : 50 Ω
(4) Torque for Tuning Screw		> 60gf · cm	
(5) Temperature Condition:			
Operating Temperature		0°C ~ +60°C	
Storage Temperature		-20°C ~ +70°C	
(6) Input Power		> 0.5Watt	

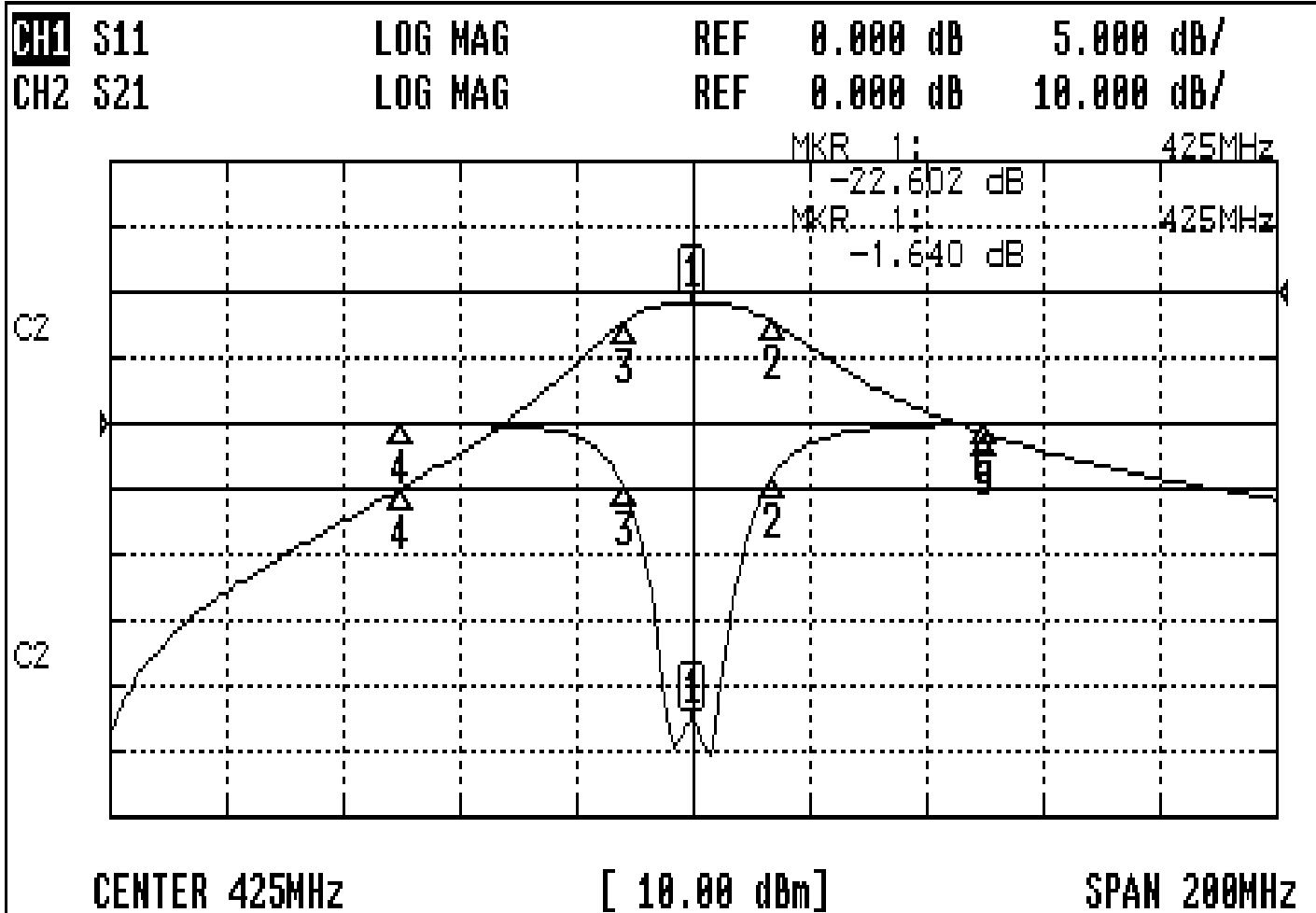


Approval C.Y.Chang	Supervisor C.K.Chang	Designer C.H.Yeh	Aperture size 5W2S(3.8*5.1)(5.15) 5HW024RB3
-----------------------	-------------------------	---------------------	---

TEMWELL CORPORATION

Performance-TDW2681B1-425M

200907001ED



CH1 MARKER LIST

1:	425.000MHz	-22.602 dB
2:	438.666MHz	-4.130 dB
3:	413.000MHz	-4.615 dB
4:	375.000MHz	-0.014 dB
5:	475.000MHz	-0.048 dB

CH2 MARKER LIST

1:	425.000MHz	-1.640 dB
2:	438.666MHz	-4.621 dB
3:	413.000MHz	-4.640 dB
4:	375.000MHz	-29.900 dB
5:	475.000MHz	-21.518 dB