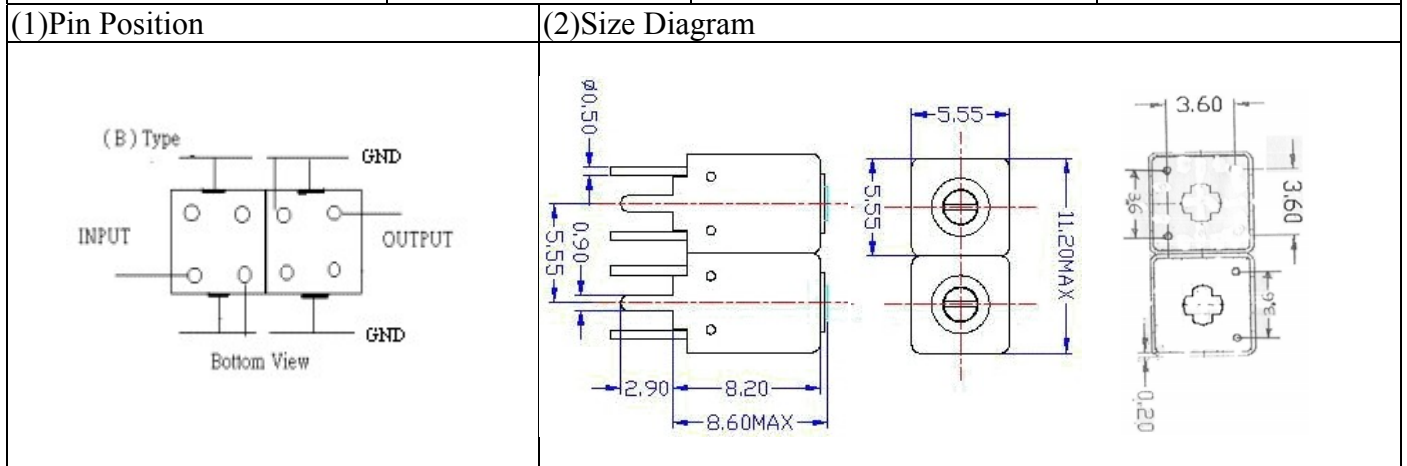


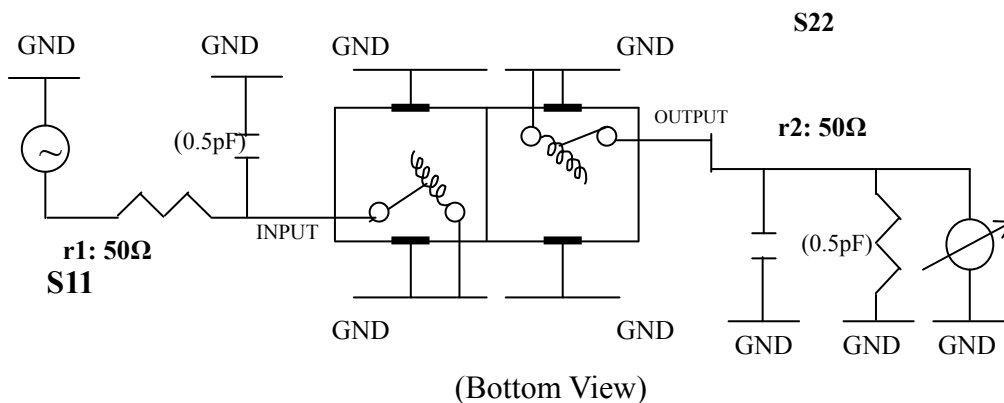
VHF UHF Helical Filter Specification Sheet

Customer Name		Temwell's Part No.	TDW2682B1-475M-25M
Approval No. /dated	0703129APR	Acceptable Specify Fo Range	451~500 MHz
Work Instruction No.	0703129DB	Date	Mar.16.2007



(3) Electric Characteristic			
Item		Specify	Performance
Center Freq.(Fo) +/- 0.5 %		475 MHz	475 MHz
Tunable Range:		475±5 MHz	475±5 MHz
Insertion Loss		Typ. 3.0 dB	1.56 dB
-3 dB Bandwidth		Typ. 25 MHz	29.5 MHz
Sensitivity (Attenuation)	Fo - 50 MHz	Typ. 22 dBc	25 dBc
	Fo + 50 MHz	Typ. 15 dBc	18 dBc
	Fo - ()MHz	Typ. dBc	dBc
	Fo +()MHz	Typ. dBc	dBc
Return Loss		Min. 12 dB	17.6 dB
Ripple		< 1 dB	dB
Impedance		In / Out : 50 Ω	In / Out : 50 Ω
(4) Torque for Tuning Screw		> 60gf · cm	
(5) Temperature Condition:			
Operating Temperature		0°C ~ +60°C	
Storage Temperature		-20°C ~ +70°C	
(6) Input Power		> 0.5Watt	

(7) Measuring Circuit: ※Easy to match Impedance 50Ω/ by parallel with about (0.5) pF.

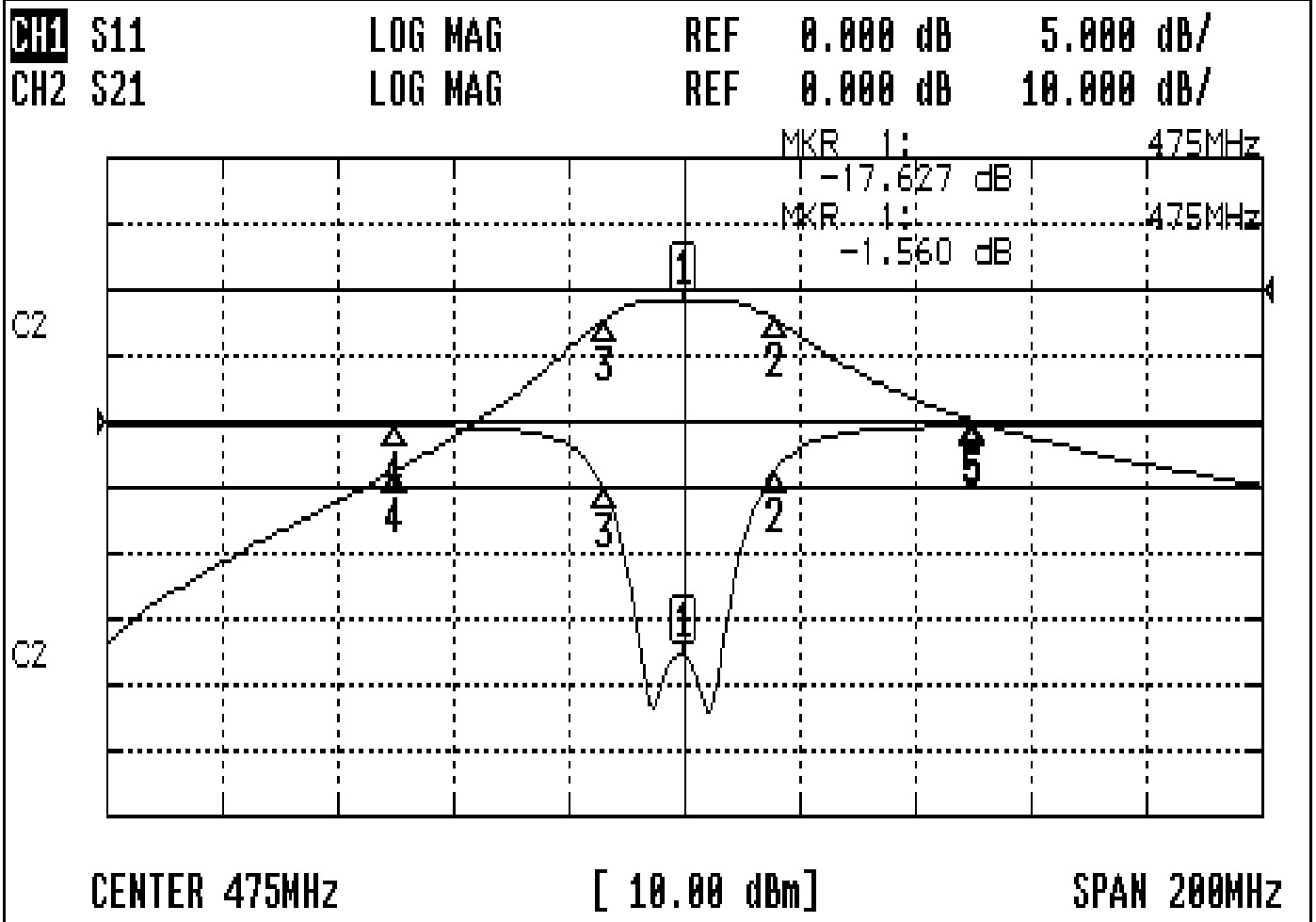


Approval	Supervisor	Designer	Aperture size
C.Y.Chang	C.S.Chang	P.H.Chiang	5w2(3.8*5.1) 5HW024RB3

TEMWELL CORPORATION

Performance-TDW2682B1-475M-25M

0703129DB



CH1 MARKER LIST

1:	475.000MHz	-17.627 dB
2:	490.666MHz	-3.772 dB
3:	461.166MHz	-5.032 dB
4:	425.000MHz	-0.357 dB
5:	525.000MHz	-0.357 dB

CH2 MARKER LIST

1:	475.000MHz	-1.560 dB
2:	490.666MHz	-4.573 dB
3:	461.166MHz	-4.434 dB
4:	425.000MHz	-27.466 dB
5:	525.000MHz	-19.885 dB