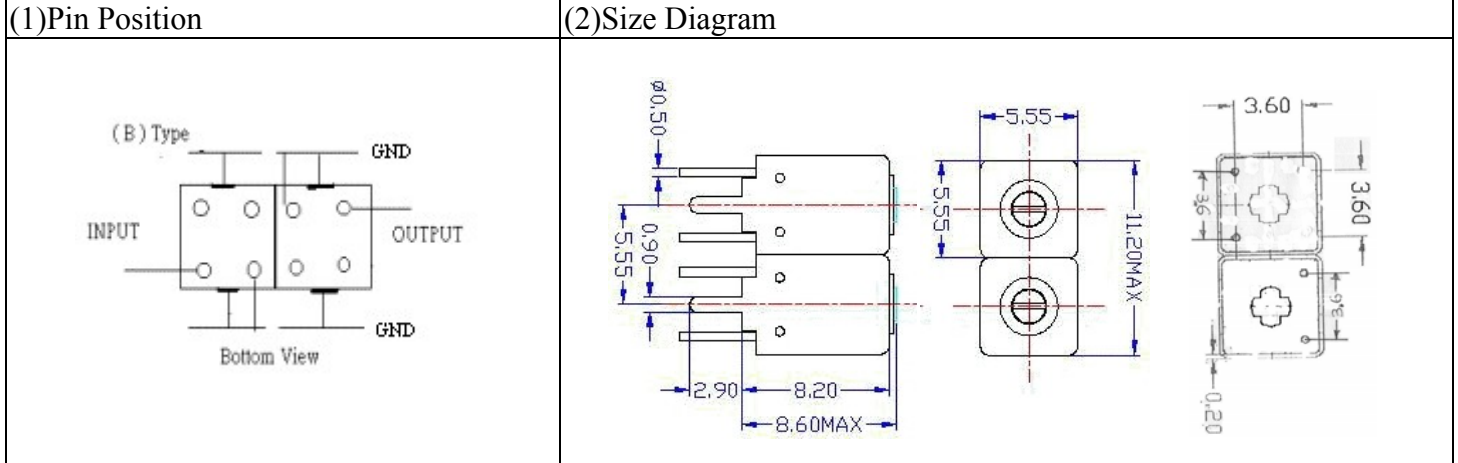


VHF UHF Helical Filter Specification Sheet

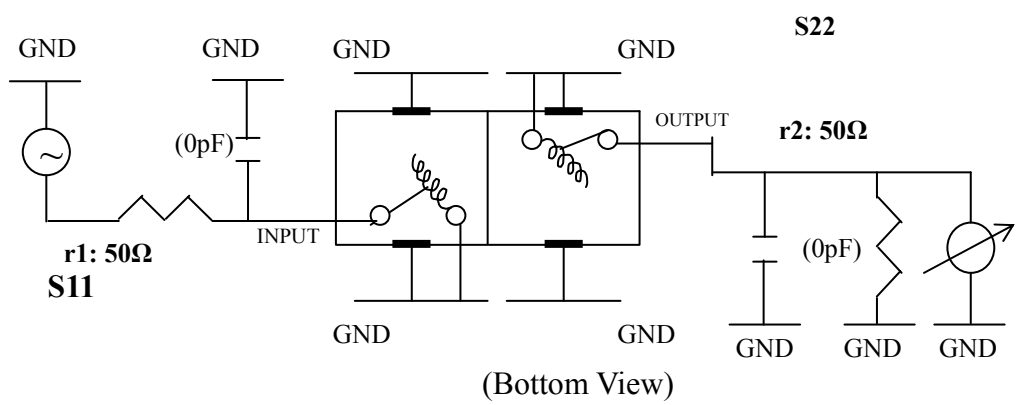
Customer Name		Temwell's Part No.	TDW2685B-1075M
Approval No. /dated	0602050APR	Acceptable Specify Fo Range	1051M~1100M
Work Instruction No.	0602050DC	Date	Apr.21.2006



(3) Electric Characteristic			
Item	Specify	Performance	
Center Freq.(Fo) +/- 0.5 %	1075 MHz	1075	MHz
Tunable Range:	1075±10 MHz	1075±10	MHz
Insertion Loss	Typ. 4.0 dB	2.35	dB
-3 dB Bandwidth	Typ. 28 MHz	33.5	MHz
Sensitivity (Attenuation)	Fo - 100 MHz	Typ. 29	dBc
	Fo + 100 MHz	Typ. 23	dBc
	Fo - ()MHz	Typ.	dBc
	Fo +()MHz	Typ.	dBc
Return Loss	Min. 12 dB	22.1	dB
Ripple	< 1 dB		dB
Impedance	In / Out : 50 Ω	In / Out : 50 Ω	
(4) Torque for Tuning Screw	> 60gf • cm		

(5) Temperature Condition:	
Operating Temperature	0°C ~ +60°C
Storage Temperature	-20°C ~ +70°C
(6) Input Power	> 0.5Watt

(7) Measuring Circuit: ※Easy to match Impedance 50Ω/ by parallel with about (0) pF.



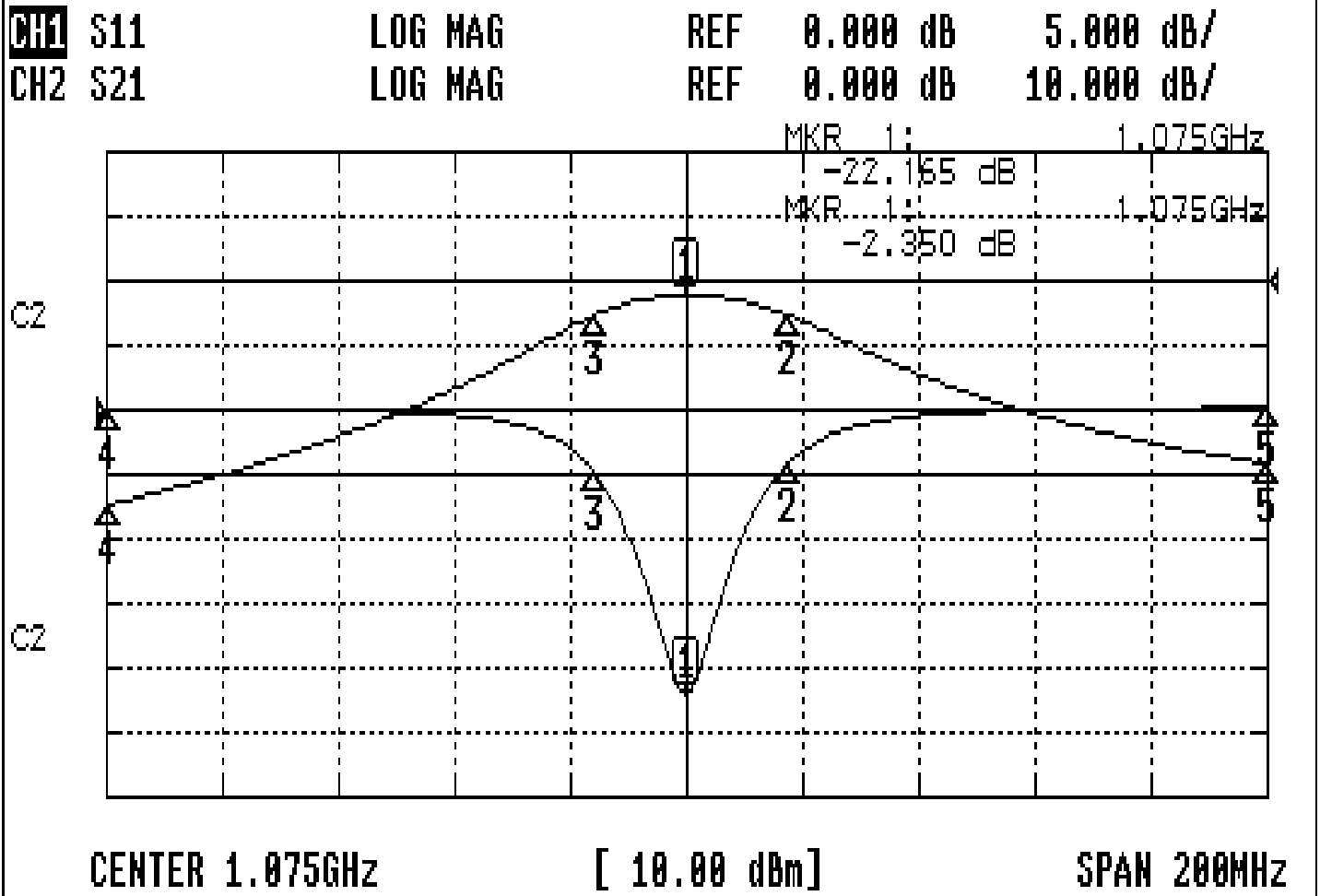
Approval	Supervisor	Designer	Aperture size
C.Y. Chang	C.S. Chang	C.S. Chang	5w2(3.8*3.5)(3.63) 5HW024RB3

TEMWELL CORPORATION

TEMWELL RP:C.S.Chang

Performance-TDW2685B-1075M

0602050DC



CH1 MARKER LIST

1	1.075 000GHz	-22.165 dB
2	1.092 500GHz	-4.202 dB
3	1.059 000GHz	-4.785 dB
4	975.000MHz	0.111 dB
5	1.175 000GHz	0.187 dB

CH2 MARKER LIST

1	1.075 000GHz	-2.350 dB
2	1.092 500GHz	-5.302 dB
3	1.059 000GHz	-5.323 dB
4	975.000MHz	-34.781 dB
5	1.175 000GHz	-28.328 dB