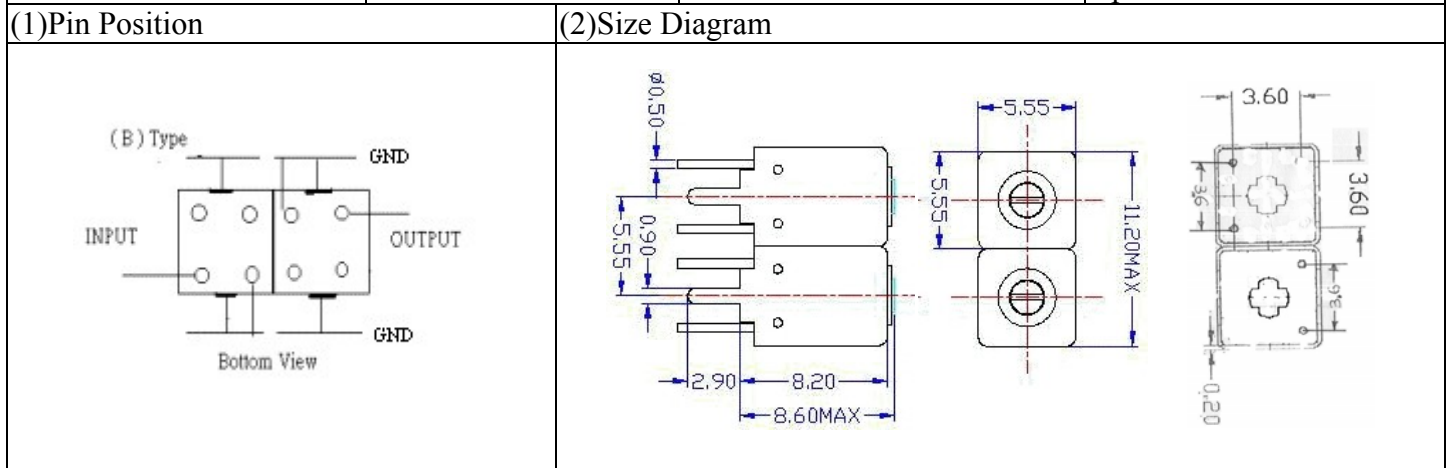


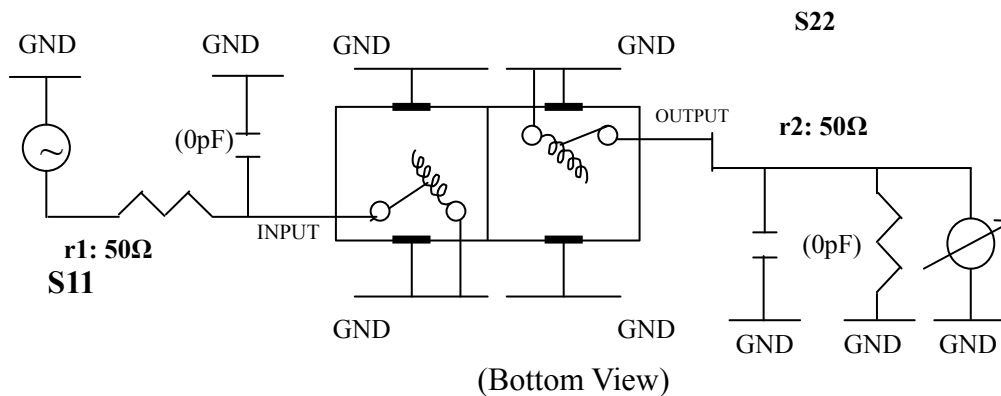
VHF UHF Helical Filter Specification Sheet

Customer Name		Temwell's Part No.	TDW2687B-1175M
Approval No. /dated	0602052APR	Acceptable Specify Fo Range	1151~1200M
Work Instruction No.	0602052DC	Date	Apr.24.2006



(3) Electric Character			
Item	Specify	Performance	
Center Freq.(Fo) +/- 0.5 %	1175 MHz	1175	MHz
Tunable Range:	1175±10 MHz	1175±10	MHz
Insertion Loss	Typ. 3.5 dB	2.53	dB
-3 dB Bandwidth	Typ. 29 MHz	34.8	MHz
Sensitivity (Attenuation)	Fo - 100 MHz	Typ. 28	dBc
	Fo + 100 MHz	Typ. 23	dBc
	Fo - () MHz	Typ.	dBc
	Fo +() MHz	Typ.	dBc
Return Loss	Min. 12 dB	26.7	dB
Ripple	< 1 dB		dB
Impedance	In / Out : 50 Ω	In / Out : 50 Ω	
(4) Torque for Tuning Screw	> 60gf • cm		
(5) Temperature Condition:			
Operating Temperature	0°C ~ +60°C		
Storage Temperature	-20°C ~ +70°C		
(6) Input Power	> 0.5Watt		

(7) Measuring Circuit: ※ Easy to match Impedance 50Ω/ by parallel with about (0) pF.

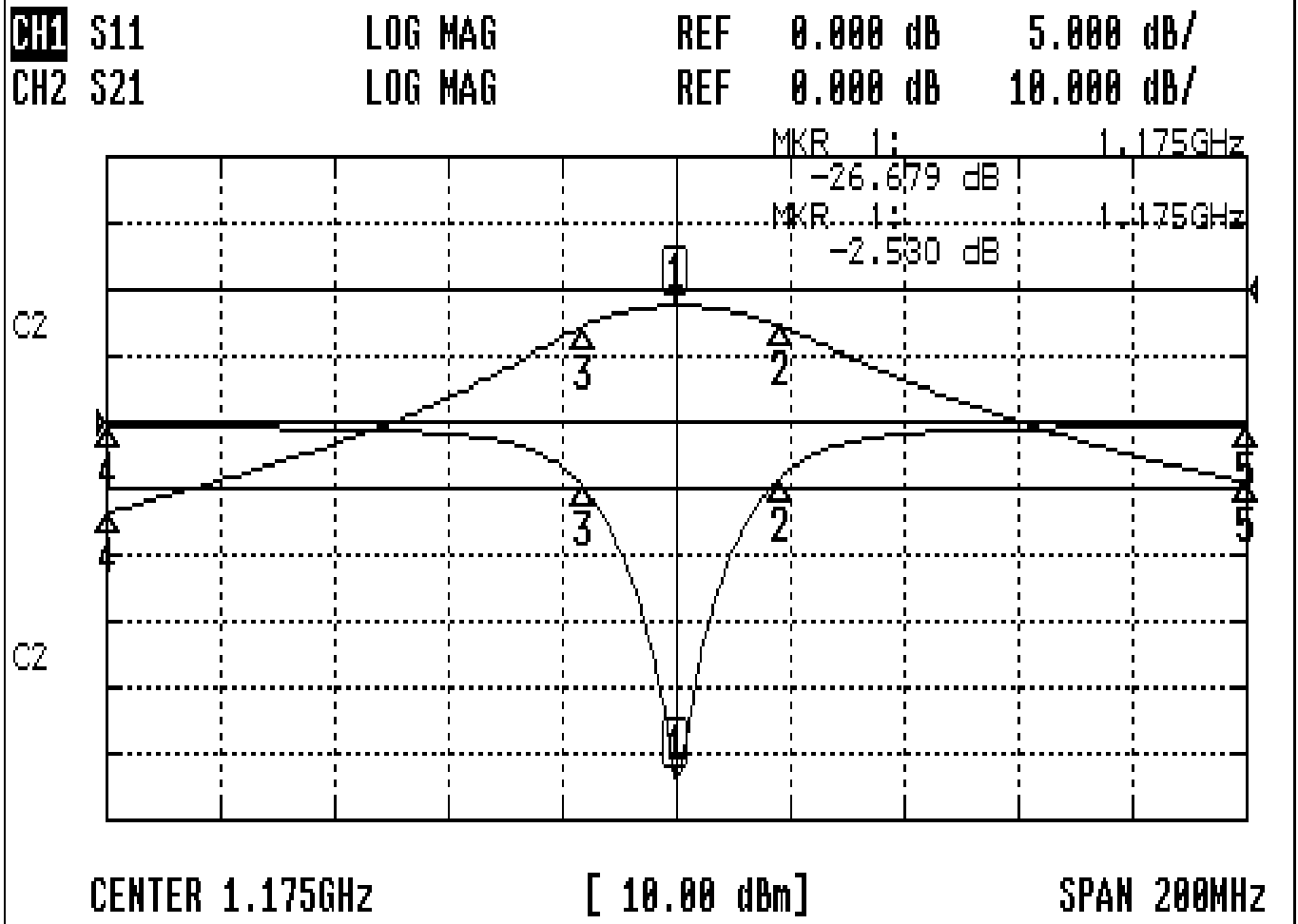


Approval	Supervisor	Designer	Aperture size
C.Y. Chang	C.S. Chang	P.H. Chiang	5w2(3.8*3.5)(3.59) 5HW024RB3
TEMWELL CORPORATION			

TEMWELL RP(P.H)

Performance-TDW2687B-1175M

0602052DC



CH1 MARKER LIST

1	1.175	000GHz	-26.716	dB
2	1.193	333GHz	-4.144	dB
3	1.158	500GHz	-4.786	dB
4	1.075	000GHz	-0.351	dB
5	1.275	000GHz	-0.334	dB

CH2 MARKER LIST

1	1.175	000GHz	-2.530	dB
2	1.193	333GHz	-1.566	dB
3	1.158	500GHz	-1.558	dB
4	1.075	000GHz	-33.610	dB
5	1.275	000GHz	-29.086	dB