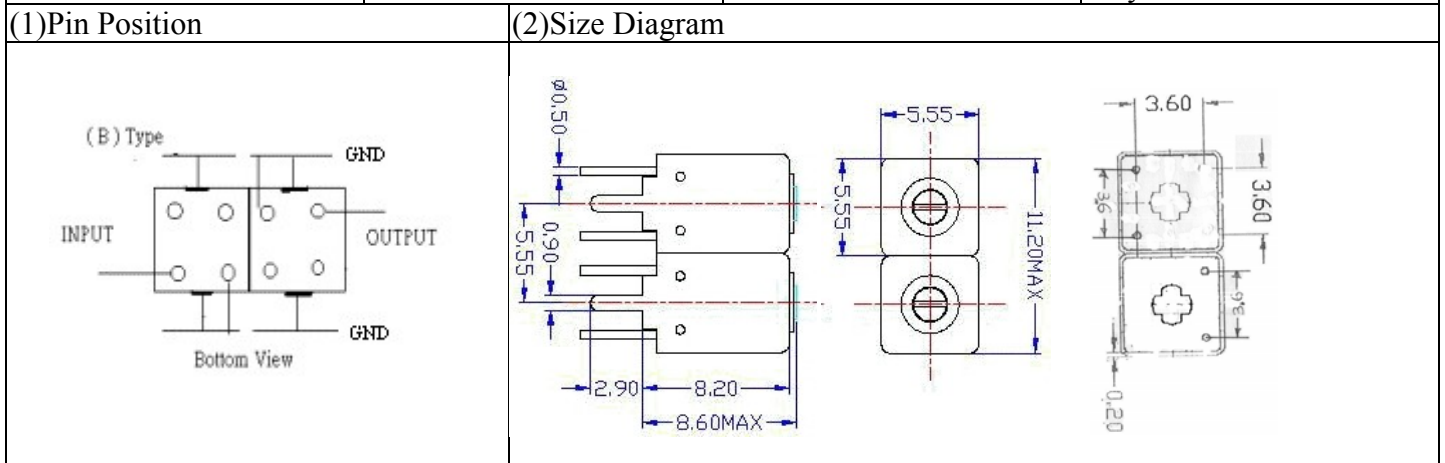


VHF UHF Helical Filter Specification Sheet

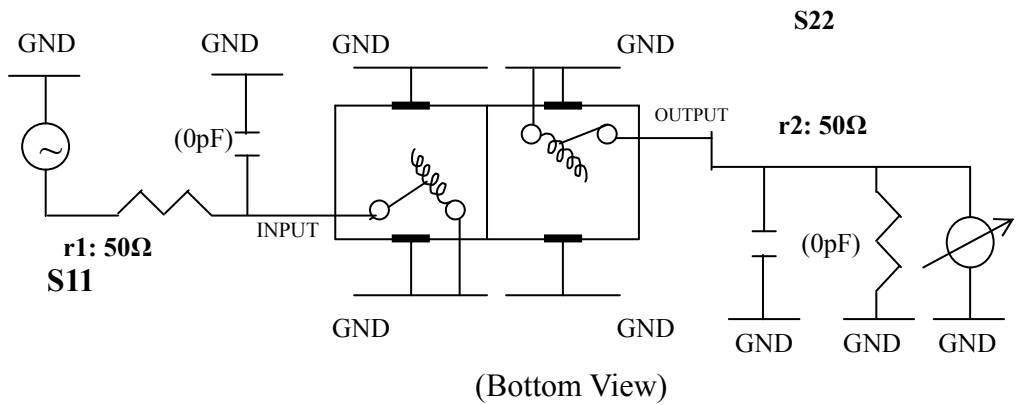
Customer Name		Temwell's Part No.	TDW2689B-625M
Approval No. /dated	0602054APR	Acceptable Specify Fo. Range	601~650M
Work Instruction No.	0602054DC	Date	May.02.2006



(3) Electric Character		Item	Specify	Performance
Center Freq.(Fo) +/- 0.5 %			625 MHz	625 MHz
Tunable Range:			625±5 MHz	625±5 MHz
Insertion Loss		Typ.	3.5 dB	2.28 dB
-3 dB Bandwidth		Typ.	25 MHz	31.3 MHz
Sensitivity (Attenuation)	Fo - 100 MHz	Typ.	42 dBc	45 dBc
	Fo + 100 MHz	Typ.	24 dBc	27 dBc
	Fo - ()MHz	Typ.	dBc	dBc
	Fo + ()MHz	Typ.	dBc	dBc
Return Loss		Min.	12 dB	32.5 dB
Ripple			< 1 dB	dB
Impedance			In / Out : 50 Ω	In / Out : 50 Ω
(4) Torque for Tuning Screw			> 60gf · cm	

(5) Temperature Condition:	
Operating Temperature	0°C ~ +60°C
Storage Temperature	-20°C ~ +70°C
(6) Input Power	> 0.5 Watt

(7) Measuring Circuit: ※Easy to match Impedance 50Ω/ by parallel with about (0) pF.

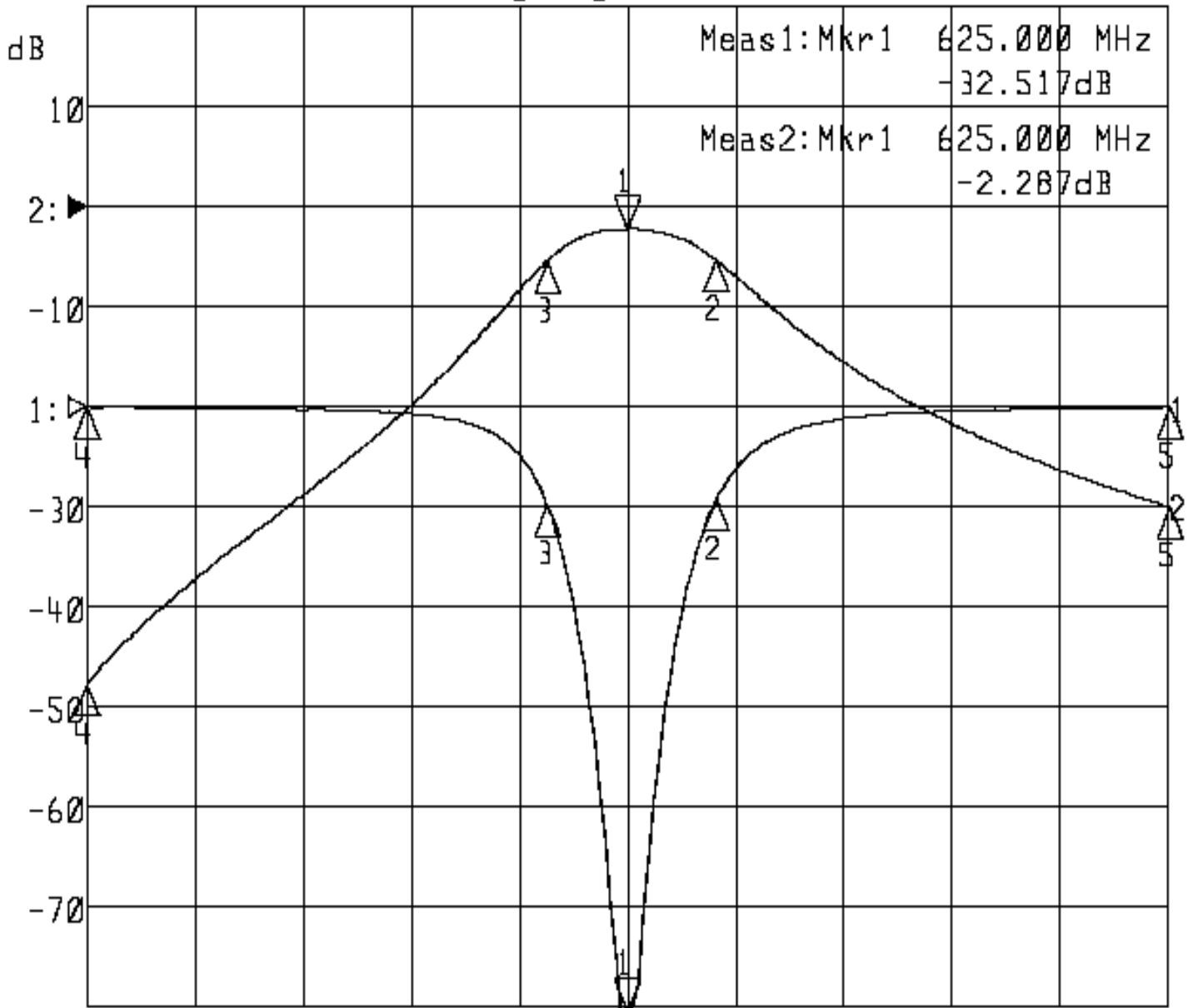


Approval	Supervisor	Designer	Aperture size
C.Y. Chang	C.S. Chang	W.W. Wang	5w2S(3.8*4.0) 5HW024RB3

TEMWELL CORPORATION

Performance-TDW2689B-625M 0602054DC

▶1:S11 Refl Port1 Log Mag 5.0 dB/ Ref 0.00 dB C
 ▶2:S21 Fwd Trans Log Mag 10.0 dB/ Ref 0.00 dB C



Center 625.000 MHz

Span 200.000 MHz

1: Mkr (MHz)		dB	2: Mkr (MHz)		dB
1>	625.0000	-32.517	1>	625.0000	-2.287
2:	641.5333	-4.640	2:	641.5333	-5.353
3:	610.2000	-4.888	3:	610.2000	-5.404
4:	525.0000	-0.018	4:	525.0000	-47.838
5:	725.0000	-0.050	5:	725.0000	-29.965