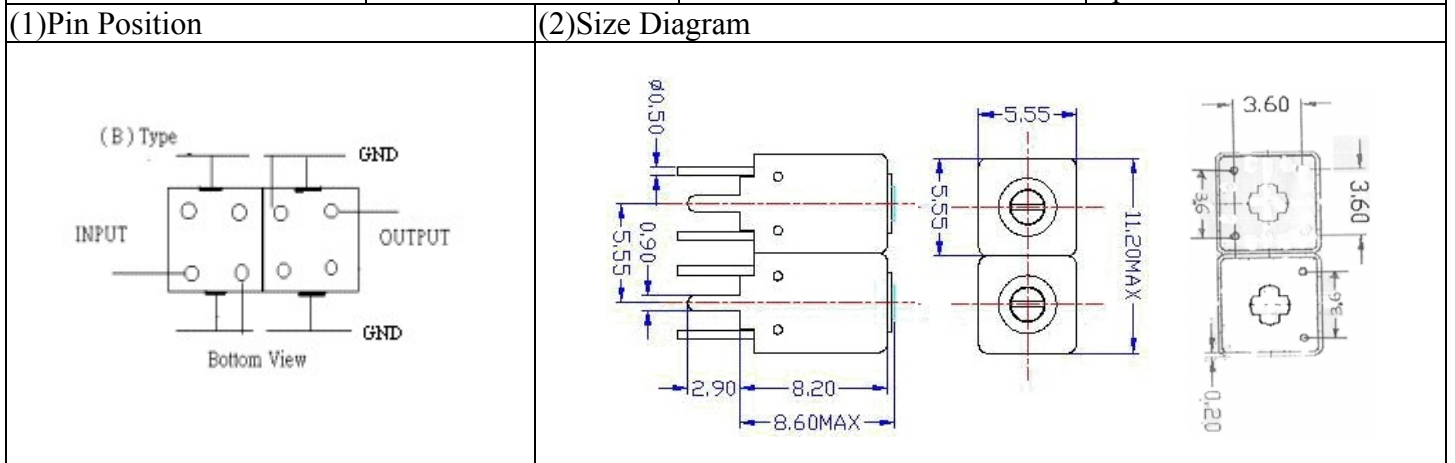


VHF UHF Helical Filter Specification Sheet

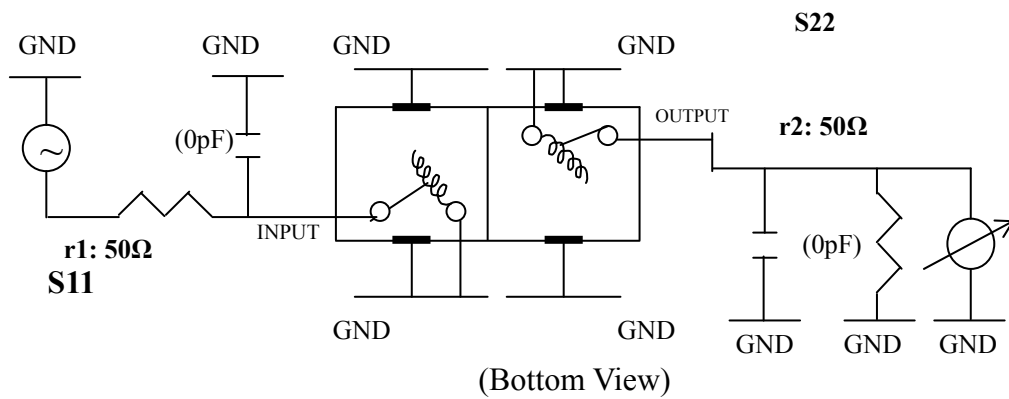
Customer Name		Temwell's Part No.	TDW2693B-1175M
Approval No. /dated	0602058APR	Acceptable Specify Fo Range	1151M~1200M
Work Instruction No.	0602058DC	Date	Apr.24.2006



(3) Electric Character		Item	Specify	Performance
Center Freq.(Fo) +/- 0.5 %			1175 MHz	1175 MHz
Tunable Range:			1175±5 MHz	1175±5 MHz
Insertion Loss		Typ.	3.5 dB	2.64 dB
-3 dB Bandwidth		Typ.	32 MHz	38.5 MHz
Sensitivity (Attenuation)	Fo - 100 MHz	Typ.	26 dBc	29 dBc
	Fo + 100 MHz	Typ.	22 dBc	25 dBc
	Fo - ()MHz	Typ.	dBc	dBc
	Fo + ()MHz	Typ.	dBc	dBc
Return Loss		Min.	12 dB	31.3 dB
Ripple			< 1 dB	dB
Impedance			In / Out : 50 Ω	In / Out : 50 Ω
(4) Torque for Tuning Screw			> 60gf · cm	

(5) Temperature Condition:	
Operating Temperature	0°C ~ +60°C
Storage Temperature	-20°C ~ +70°C
(6) Input Power	> 0.5Watt

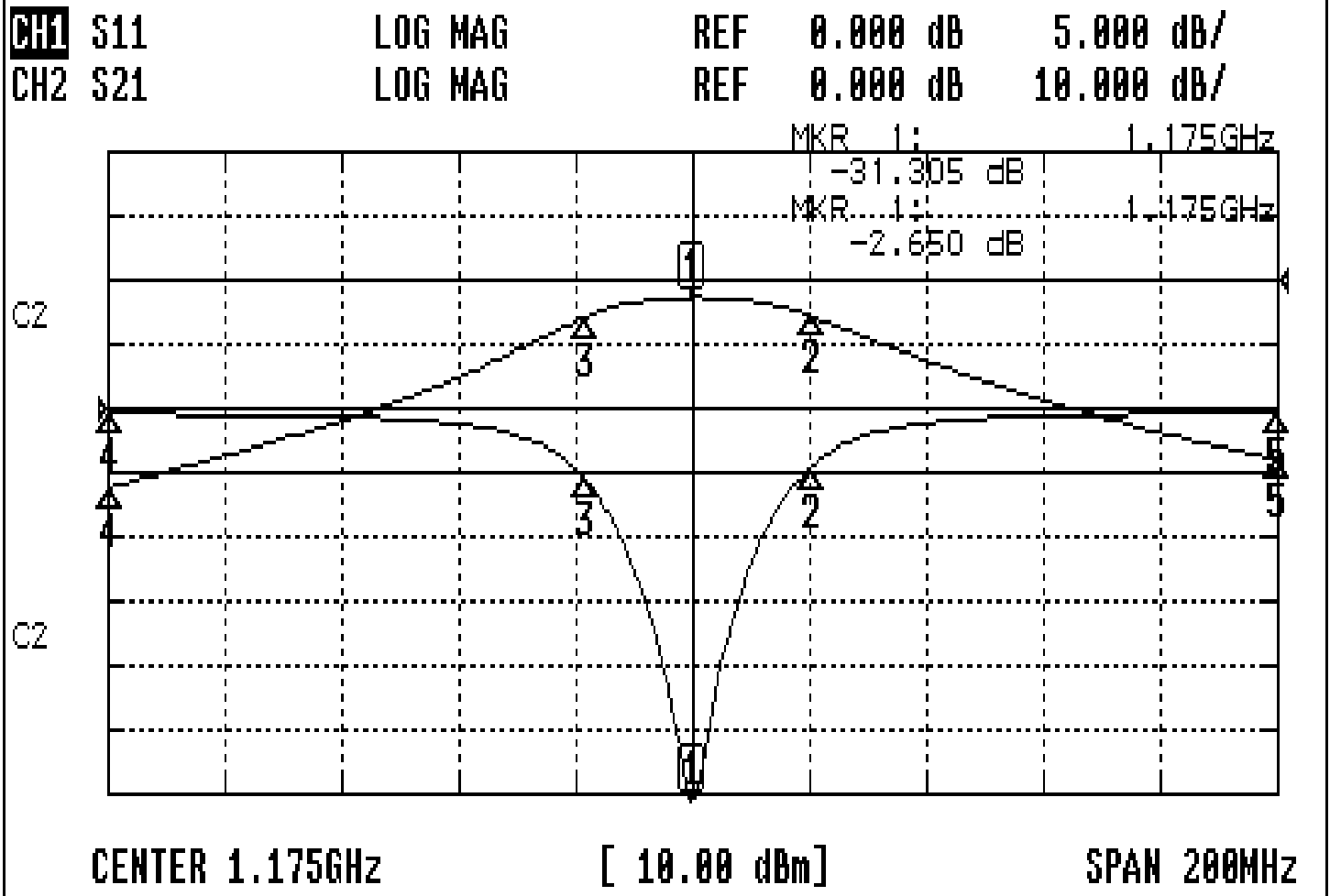
(7) Measuring Circuit: ※Easy to match Impedance 50Ω/ by parallel with about (0) pF.



Approval	Supervisor	Designer	Aperture size
C.Y. Chang	C.S. Chang	P.H. Chiang	5w2(3.8*3.7)(3.73 5HW024RB3

Performance-TDW2693B-1175M

0602058DC



CH1 MARKER LIST

1	1.175	000GHz	-31.305	dB
2	1.195	333GHz	-14.047	dB
3	1.156	833GHz	-0.000	dB
4	1.075	000GHz	-0.404	dB
5	1.275	000GHz	-0.357	dB

CH2 MARKER LIST

1	1.175	000GHz	-2.649	dB
2	1.195	333GHz	-1.647	dB
3	1.156	833GHz	-1.648	dB
4	1.075	000GHz	-2.222	dB
5	1.275	000GHz	-27.876	dB