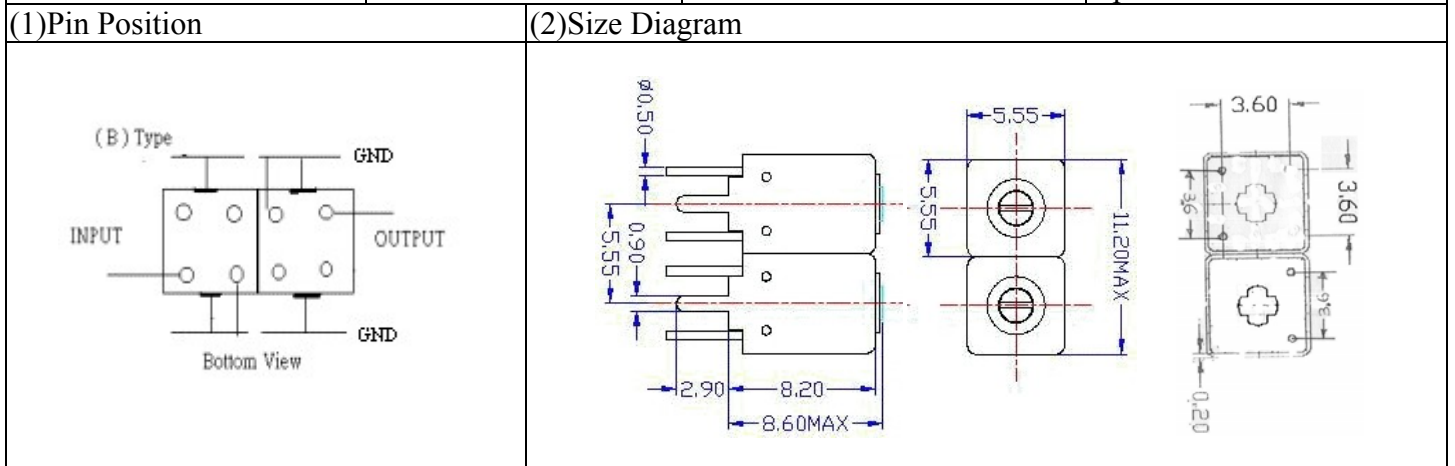


VHF UHF Helical Filter Specification Sheet

Customer Name		Temwell's Part No.	TDW2696B-375M
Approval No. /dated	0602061DC	Acceptable Specify Fo Range	351M~400M
Work Instruction No.	0602061DC	Date	Apr.24.2006



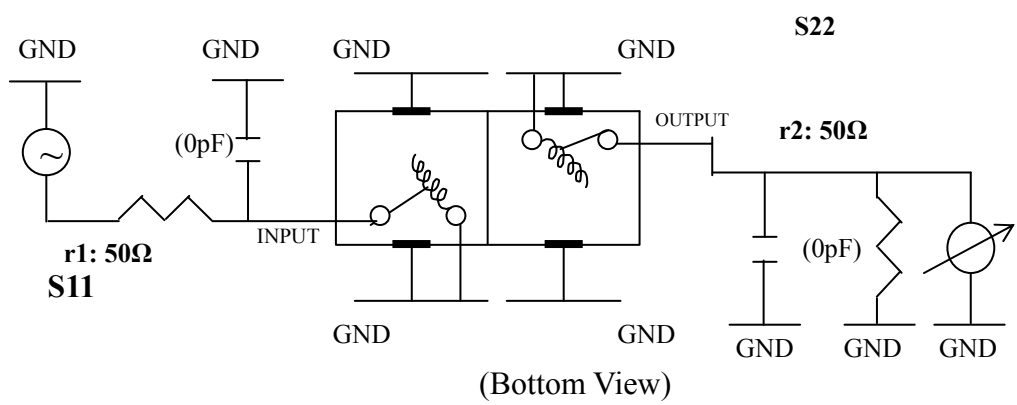
(3) Electric Character			
Item	Specify		Performance
Center Freq.(Fo) +/- 0.5 %	375	MHz	375 MHz
Tunable Range:	375±4	MHz	375±4 MHz
Insertion Loss	Typ.	3.5 dB	2.11 dB
-3 dB Bandwidth	Typ.	28 MHz	31.8 MHz
Sensitivity (Attenuation)	Fo - 100 MHz	Typ.	24 dBc
	Fo + 100 MHz	Typ.	31 dBc
	Fo - () MHz	Typ.	dBc
	Fo +() MHz	Typ.	dBc
Return Loss	Min.	12 dB	22.0 dB
Ripple			< 1 dB
Impedance	In / Out : 50 Ω		In / Out : 50 Ω

(4) Torque for Tuning Screw > 60gf • cm

(5) Temperature Condition:
 Operating Temperature -0°C ~ +60°C
 Storage Temperature -20°C ~ +70°C

(6) Input Power > 0.5Watt

(7) Measuring Circuit: ※Easy to match Impedance 50Ω/ by parallel with about (0) pF.



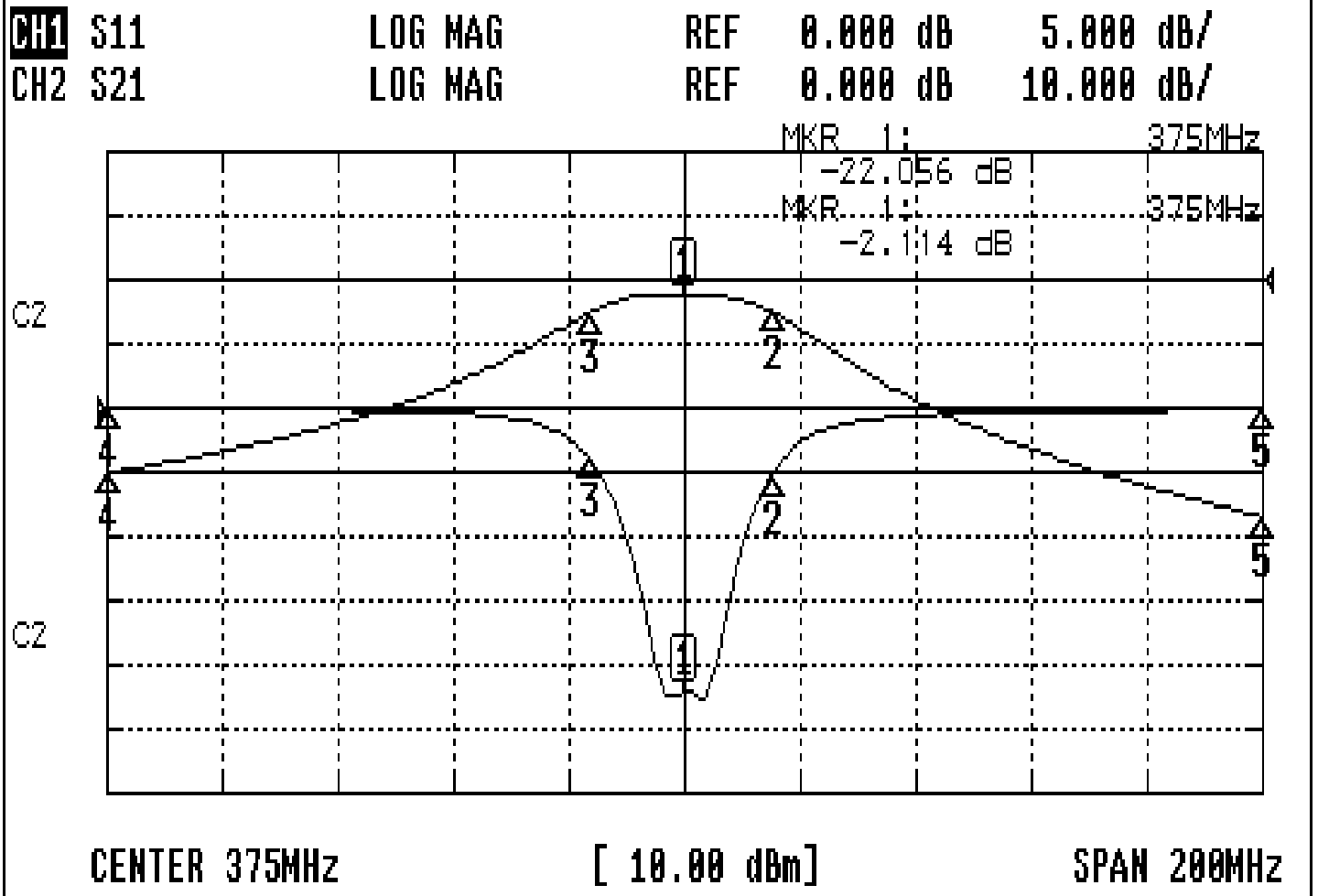
Approval	Supervisor	Designer	Aperture size
C.Y. Chang	C.S. Chang	C.S. Chang	5w2(3.8*5.1)(5.14) 5HW00LB3

TEMWELL CORPORATION

TEMWELL RP:C.S.Chang

Performance-TDW2696B-375M

0602061DC



CH1 MARKER LIST

1	375.000MHz	-22.056 dB
2	390.333MHz	-15.040 dB
3	358.500MHz	-3.882 dB
4	275.000MHz	-0.062 dB
5	475.000MHz	-0.098 dB

CH2 MARKER LIST

1	375.000MHz	-2.110 dB
2	390.333MHz	-1.162 dB
3	358.500MHz	-1.145 dB
4	275.000MHz	-0.078 dB
5	475.000MHz	-0.811 dB