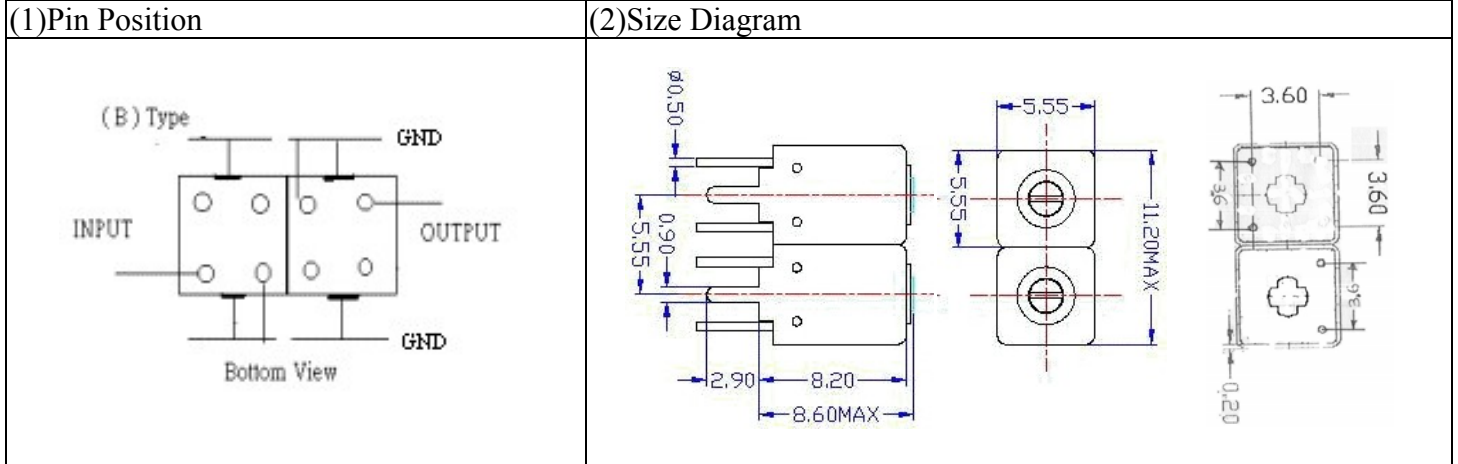


VHF UHF Helical Filter Specification Sheet

Customer Name		Temwell's Part No.	TDW2697B-475M
Approval No. /dated	0602062APR	Acceptable Specify Fo Range	451M~500M
Work Instruction No.	0602062DC	Date	Apr.24.2006



(3) Electric Character		Item	Specify	Performance
Center Freq.(Fo) +/- 0.5 %			475 MHz	475 MHz
Tunable Range:			475±3 MHz	475±3 MHz
Insertion Loss		Typ.	2.5 dB	1.58 dB
-3 dB Bandwidth		Typ.	30 MHz	36.8 MHz
Sensitivity (Attenuation)	Fo - 100 MHz	Typ.	23 dBc	26 dBc
	Fo + 100 MHz	Typ.	31 dBc	34 dBc
	Fo - ()MHz	Typ.	dBc	dBc
	Fo +()MHz	Typ.	dBc	dBc
Return Loss		Min.	12 dB	22.8 dB
Ripple			< 1 dB	dB
Impedance			In / Out : 50 Ω	In / Out : 50 Ω

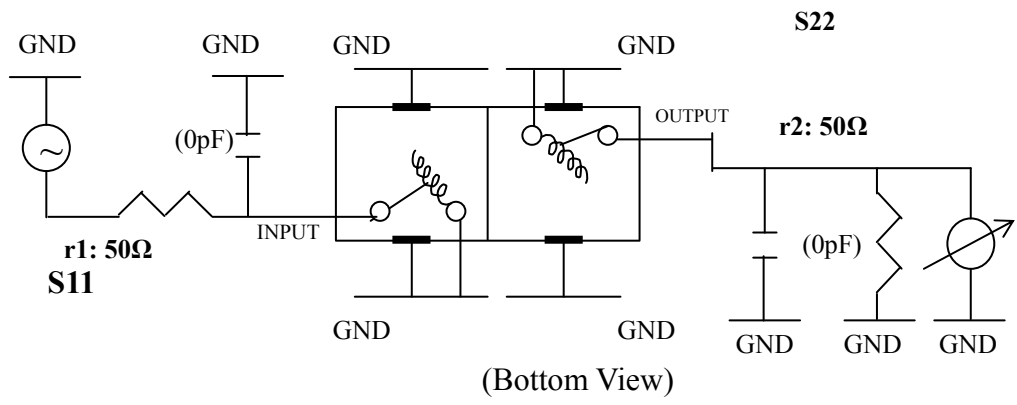
(4) Torque for Tuning Screw > 60gf • cm

(5) Temperature Condition:

Operating Temperature	0°C ~ +60°C
Storage Temperature	-20°C ~ +70°C

(6) Input Power > 0.5Watt

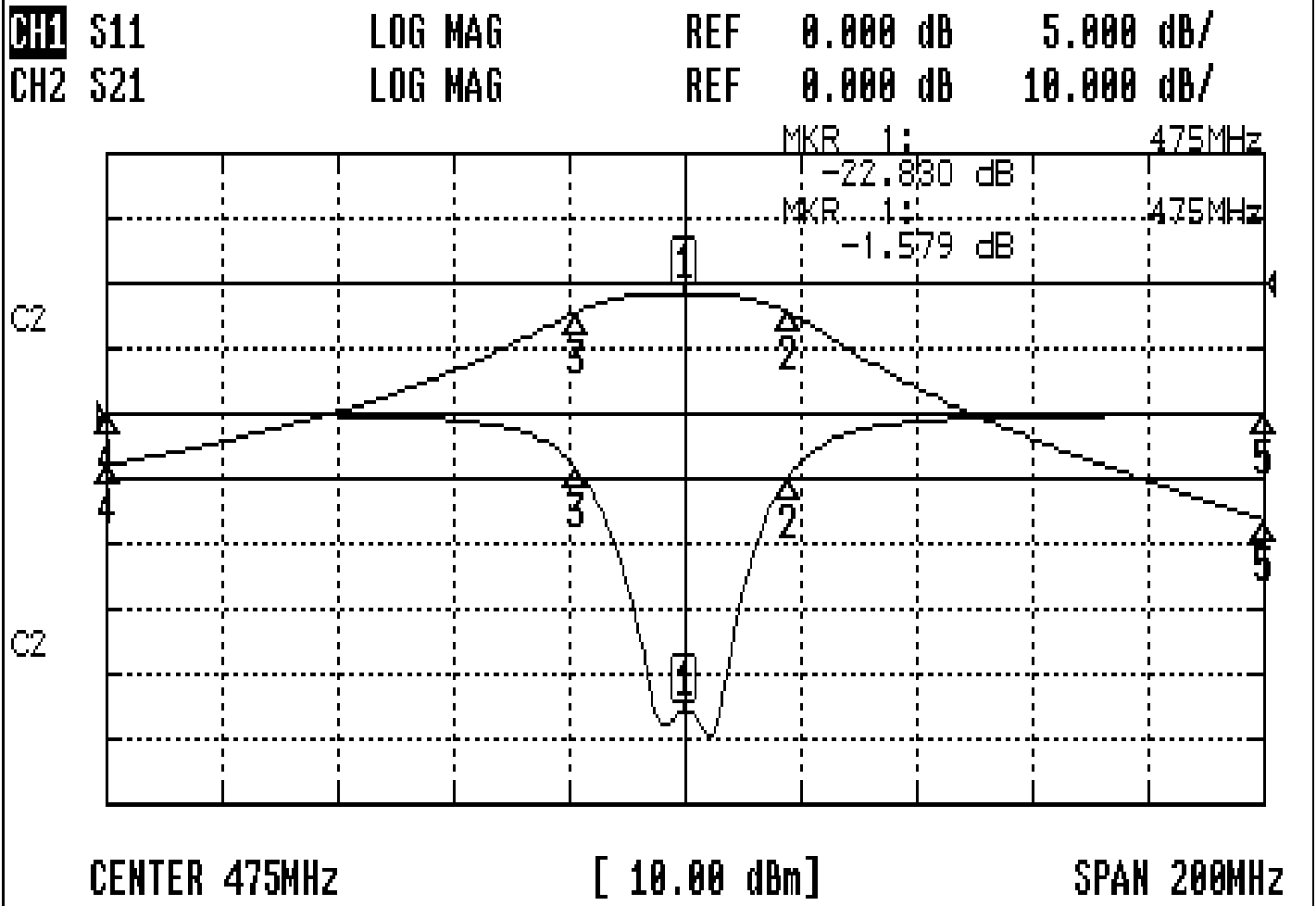
(7) Measuring Circuit: ※Easy to match Impedance 50Ω/ by parallel with about (0) pF.



Approval	Supervisor	Designer	Aperture size
C.Y. Chang	C.S. Chang	C.S. Chang	5w2(3.8*5.1)(5.16) 5HW024LB3
TEMWELL CORPORATION			

Performance-TDW2697B-475M

0602062DC



CH1 MARKER LIST

1:	475.000MHz	-22.830	dB
2:	492.833MHz	-4.909	dB
3:	456.000MHz	-4.019	dB
4:	375.000MHz	-0.055	dB
5:	575.000MHz	-0.075	dB

CH2 MARKER LIST

1:	475.000MHz	-1.581	dB
2:	492.833MHz	-4.548	dB
3:	456.000MHz	-4.555	dB
4:	375.000MHz	-27.923	dB
5:	575.000MHz	-36.259	dB