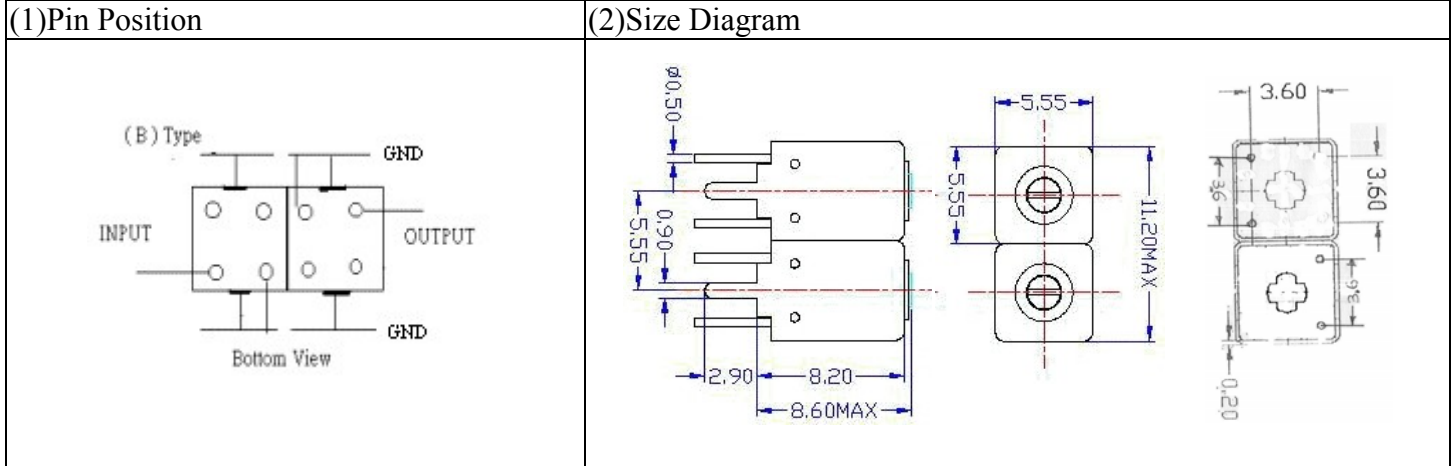


VHF UHF Helical Filter Specification Sheet

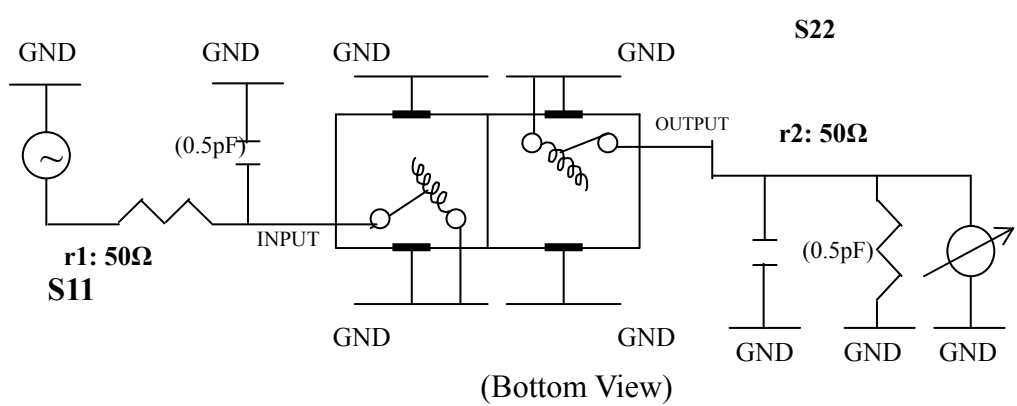
Customer Name		Temwell's Part No.	TDW2702B-975M
Approval No. /dated	0602067APR	Acceptable Specify Fo Range	951M~1000M
Work Instruction No.	0602067DC	Date	Apr.27.2006



(3) Electric Character			
Item	Specify		Performance
Center Freq.(Fo) +/- 0.5 %	975	MHz	975 MHz
Tunable Range:	975±5	MHz	975±5 MHz
Insertion Loss	Typ. 3.5	dB	2.35 dB
-3 dB Bandwidth	Typ. 34	MHz	39.5 MHz
Sensitivity (Attenuation)	Fo - 100 MHz	Typ. 28 dBc	31 dBc
	Fo + 100 MHz	Typ. 22 dBc	25 dBc
	Fo - ()MHz	Typ. dBc	dBc
	Fo +()MHz	Typ. dBc	dBc
Return Loss	Min. 12	dB	19.2 dB
Ripple	< 1	dB	dB
Impedance	In / Out : 50 Ω		In / Out : 50 Ω

(4) Torque for Tuning Screw	> 60gf · cm
(5) Temperature Condition:	
Operating Temperature	0°C ~ +60°C
Storage Temperature	-20°C ~ +70°C
(6) Input Power	> 0.5Watt

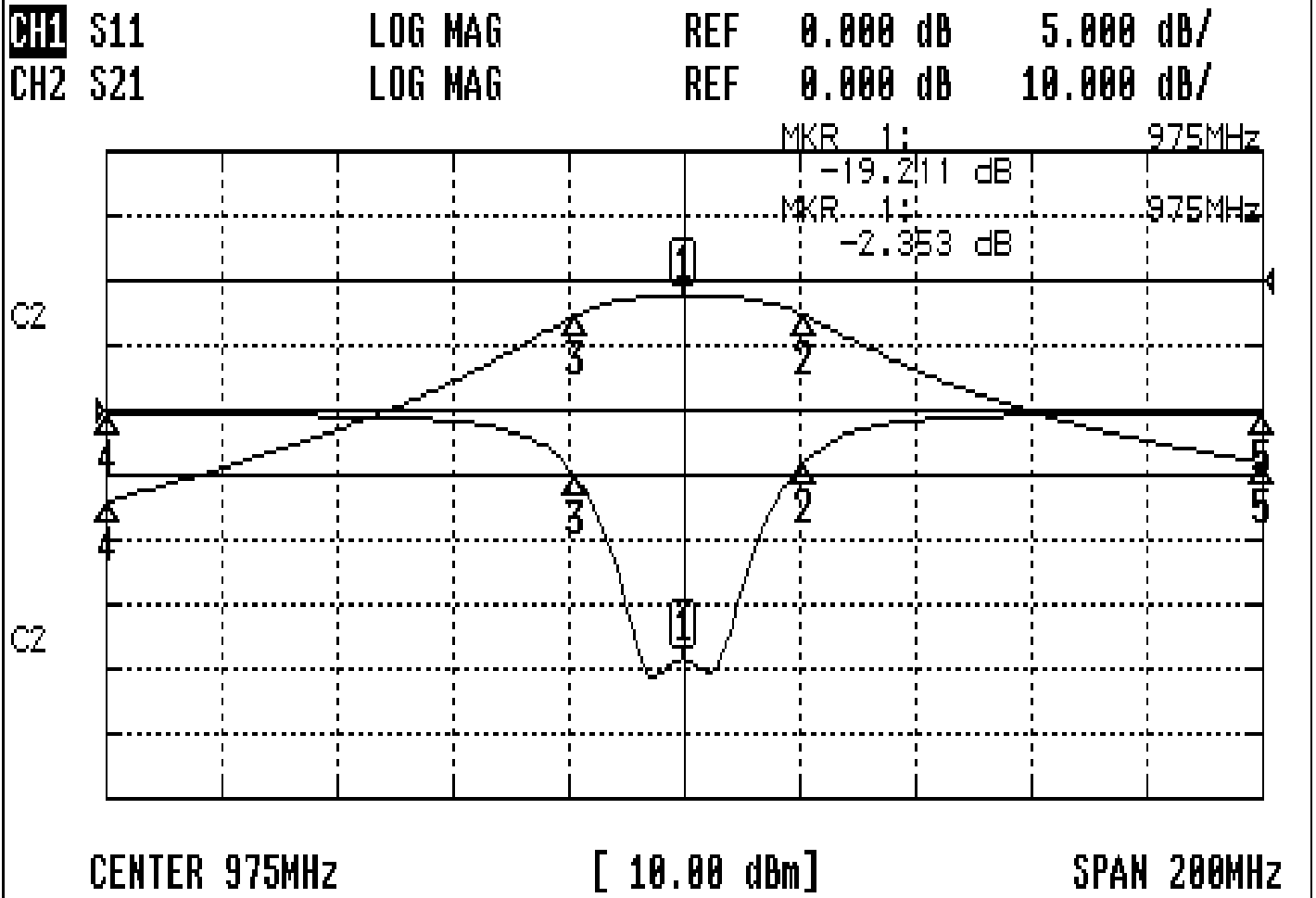
(7) Measuring Circuit: ※Easy to match Impedance 50Ω/ by parallel with about (0.5) pF.



Approval	Supervisor	Designer	Aperture size
C.Y. Chang	C.S. Chang	P.H. Chiang	5w2(3.8*4.0)(4.07) 5HW024RB3
TEMWELL		CORPORATION	

Performance-TDW2702B-975M

0602067DC



CH1 MARKER LIST

Marker	Frequency	Magnitude
1	975.000MHz	-19.211 dB
2	995.666MHz	-4.025 dB
3	1005.166MHz	-4.955 dB
4	1.075000GHz	-0.306 dB
5	1.075000GHz	-0.268 dB

CH2 MARKER LIST

Marker	Frequency	Magnitude
1	975.000MHz	-2.353 dB
2	995.666MHz	-15.379 dB
3	1005.166MHz	-15.383 dB
4	1.075000GHz	-34.070 dB
5	1.075000GHz	-28.126 dB