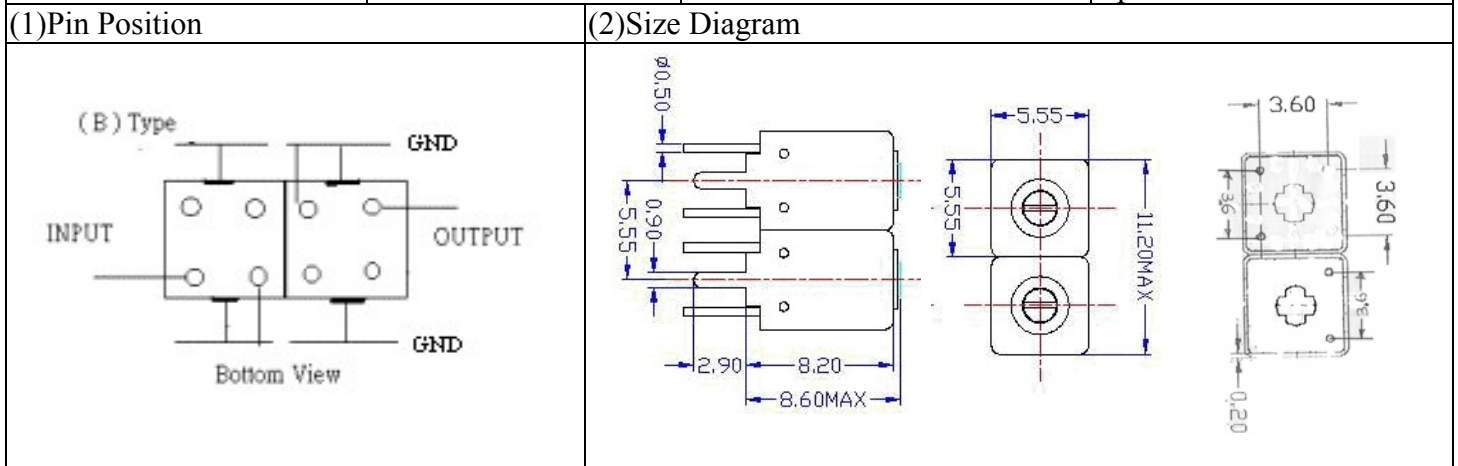


VHF UHF Helical Filter Specification Sheet

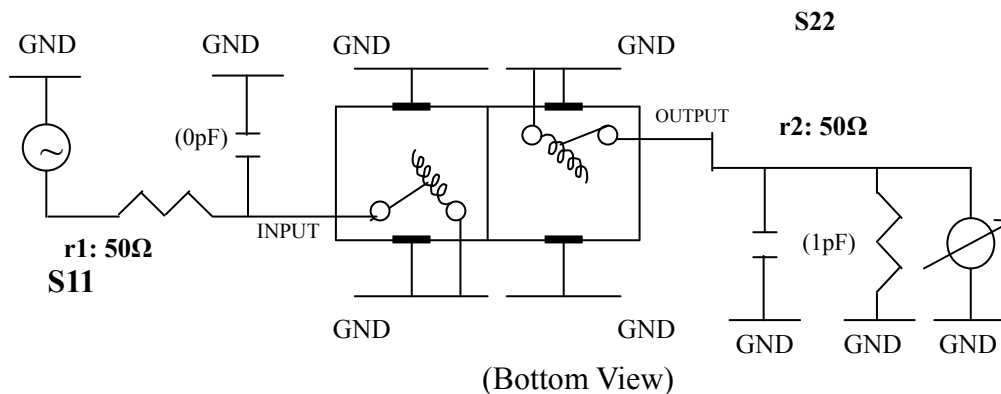
Customer Name		Temwell's Part No.	TDW2703B-1125M
Approval No. /dated	0602068APR	Acceptable Specify Fo Range	1101M~1150M
Work Instruction No.	0602068DC	Date	Apr.27.2006



(3) Electric Character		Item	Specify	Performance
Center Freq.(Fo) +/- 0.5 %			1125 MHz	1125 MHz
Tunable Range:			1125±5 MHz	1125±5 MHz
Insertion Loss		Typ.	3.5 dB	2.37 dB
-3 dB Bandwidth		Typ.	39 MHz	44.5 MHz
Sensitivity (Attenuation)	Fo - 100 MHz	Typ.	25 dBc	28 dBc
	Fo + 100 MHz	Typ.	20 dBc	23 dBc
	Fo - ()MHz	Typ.	dBc	dBc
	Fo +()MHz	Typ.	dBc	dBc
Return Loss		Min.	12 dB	20.2 dB
Ripple			< 1 dB	dB
Impedance			In / Out : 50 Ω	In / Out : 50 Ω
(4) Torque for Tuning Screw			> 60gf • cm	

(5) Temperature Condition:	
Operating Temperature	0°C ~ +60°C
Storage Temperature	-20°C ~ +70°C
(6) Input Power	> 0.5Watt

(7) Measuring Circuit: ※Easy to match Impedance 50Ω/ by parallel with about (0) pF./ (1) pF.



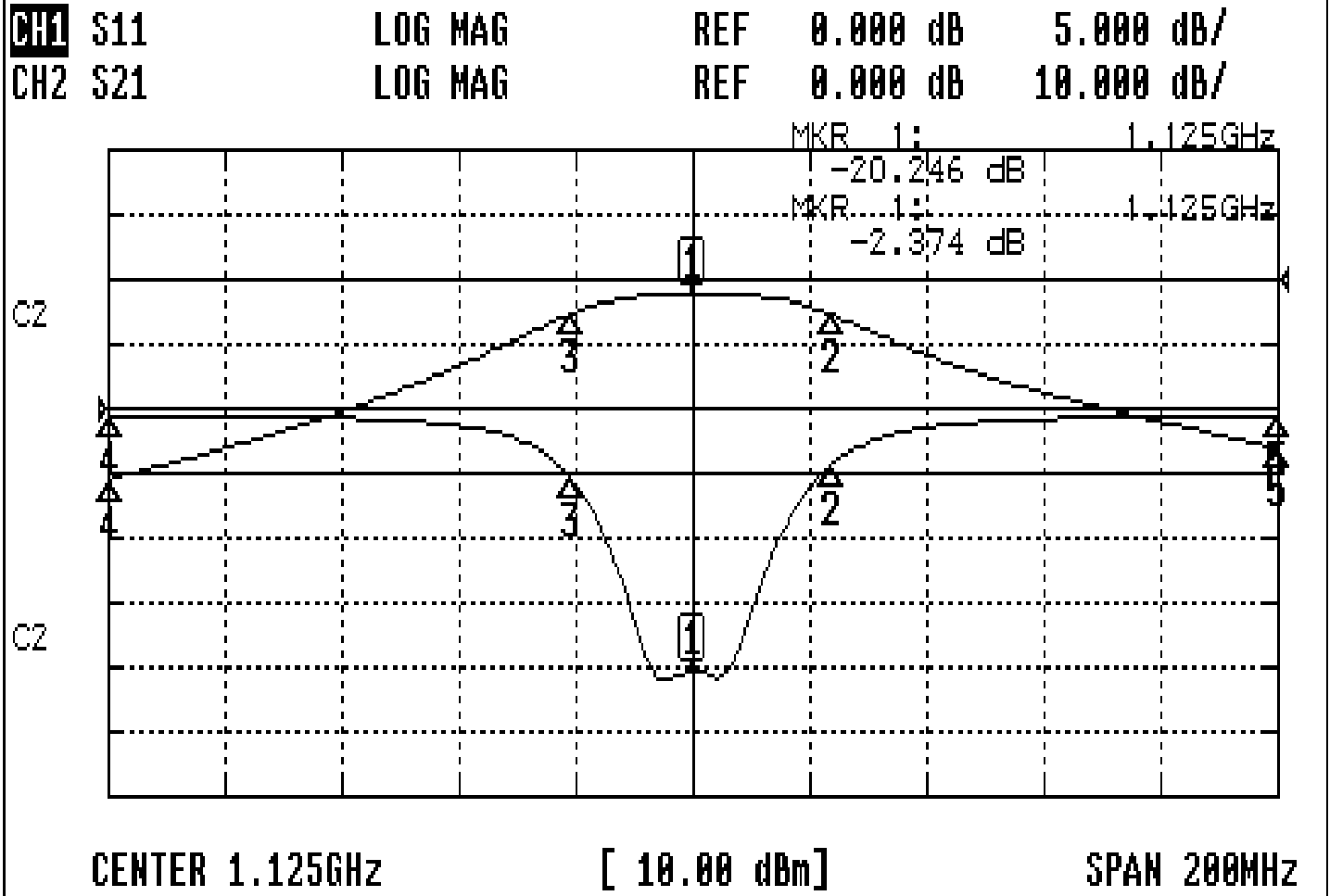
Approval	Supervisor	Designer	Aperture size
C.Y. Chang	C.S. Chang	P.H. Chiang	5w2(3.8*4.0)(4.08) 5HW024RB3

TEMWELL CORPORATION

TEMWELL RP(P.H)

Performance-TDW2703B-1125M

0602068DC



CH1 MARKER LIST

1	1.125	000	GHz	-20.246	dB
2	1.148	500	GHz	-4.410	dB
3	1.104	000	GHz	-5.235	dB
4	1.025	000	GHz	-0.532	dB
5	1.225	000	GHz	-0.519	dB

CH2 MARKER LIST

1	1.125	000	GHz	-2.374	dB
2	1.148	500	GHz	-5.347	dB
3	1.104	000	GHz	-5.366	dB
4	1.025	000	GHz	-30.942	dB
5	1.225	000	GHz	-26.060	dB