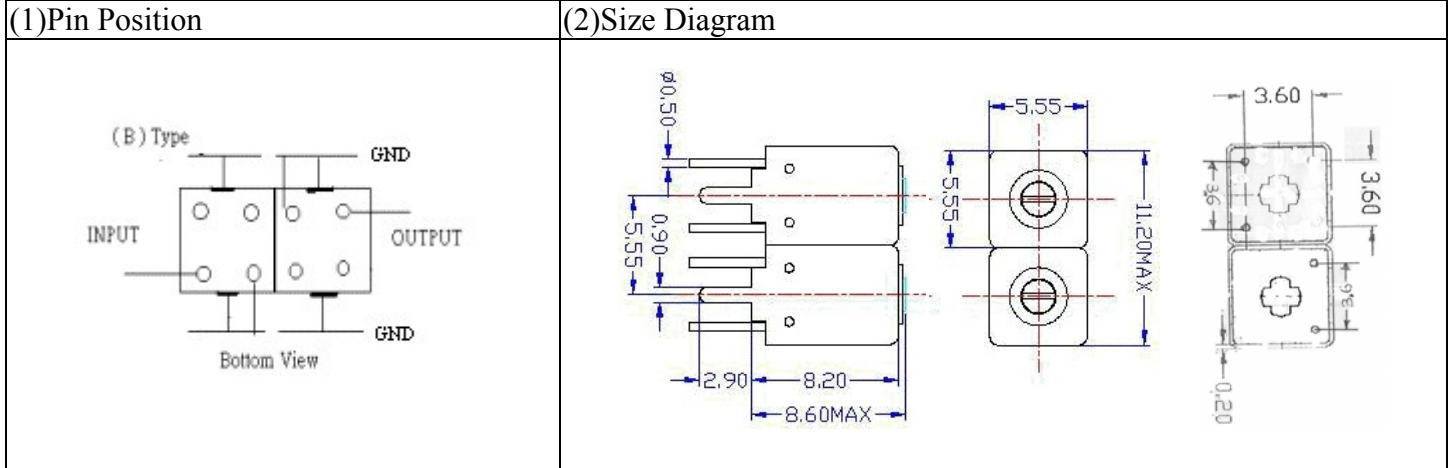


# VHF UHF Helical Filter Specification Sheet

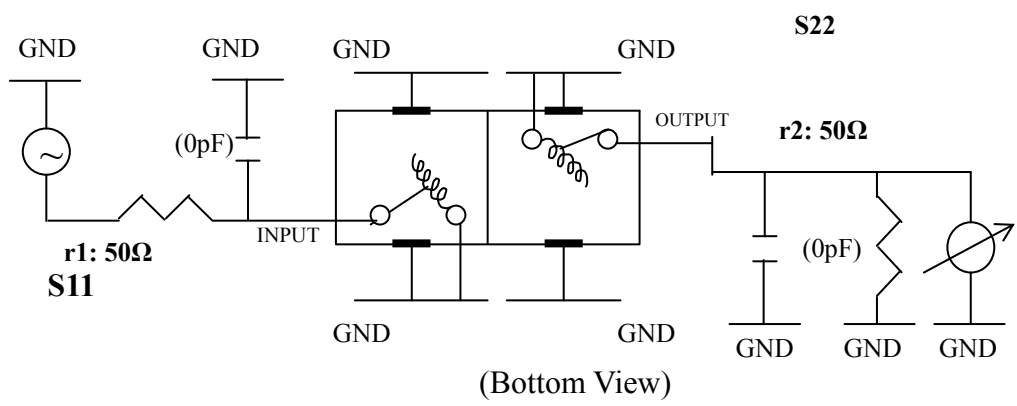
Customer Name		Temwell's Part No.	TDW2704B-1225M
Approval No. /dated	0602069APR	Acceptable Specify Fo Range	1201M~1250M
Work Instruction No.	0602069DC	Date	Apr.24.2006



Item		Specify		Performance	
Center Freq.(Fo ) +/- 0.5 %		1225	MHz	1225	MHz
Tunable Range:		1225±10	MHz	1225±10	MHz
Insertion Loss		Typ. 4.0	Db	3.03	dB
-3 dB Bandwidth		Typ. 28	MHz	34.6	MHz
Sensitivity (Attenuation)	Fo - 100 MHz	Typ. 28	dBc	31	dBc
	Fo + 100 MHz	Typ. 23	dBc	26	dBc
	Fo - ( ) MHz	Typ.	dBc		dBc
	Fo + ( ) MHz	Typ.	dBc		dBc
Return Loss		Min. 12	dB	28.1	dB
Ripple		< 1	dB		dB
Impedance		In / Out : 50 Ω		In / Out : 50 Ω	

(4) Torque for Tuning Screw	> 60gf · cm
(5) Temperature Condition:	
Operating Temperature	0°C ~ +60°C
Storage Temperature	-20°C ~ +70°C
(6) Input Power	> 0.5Watt

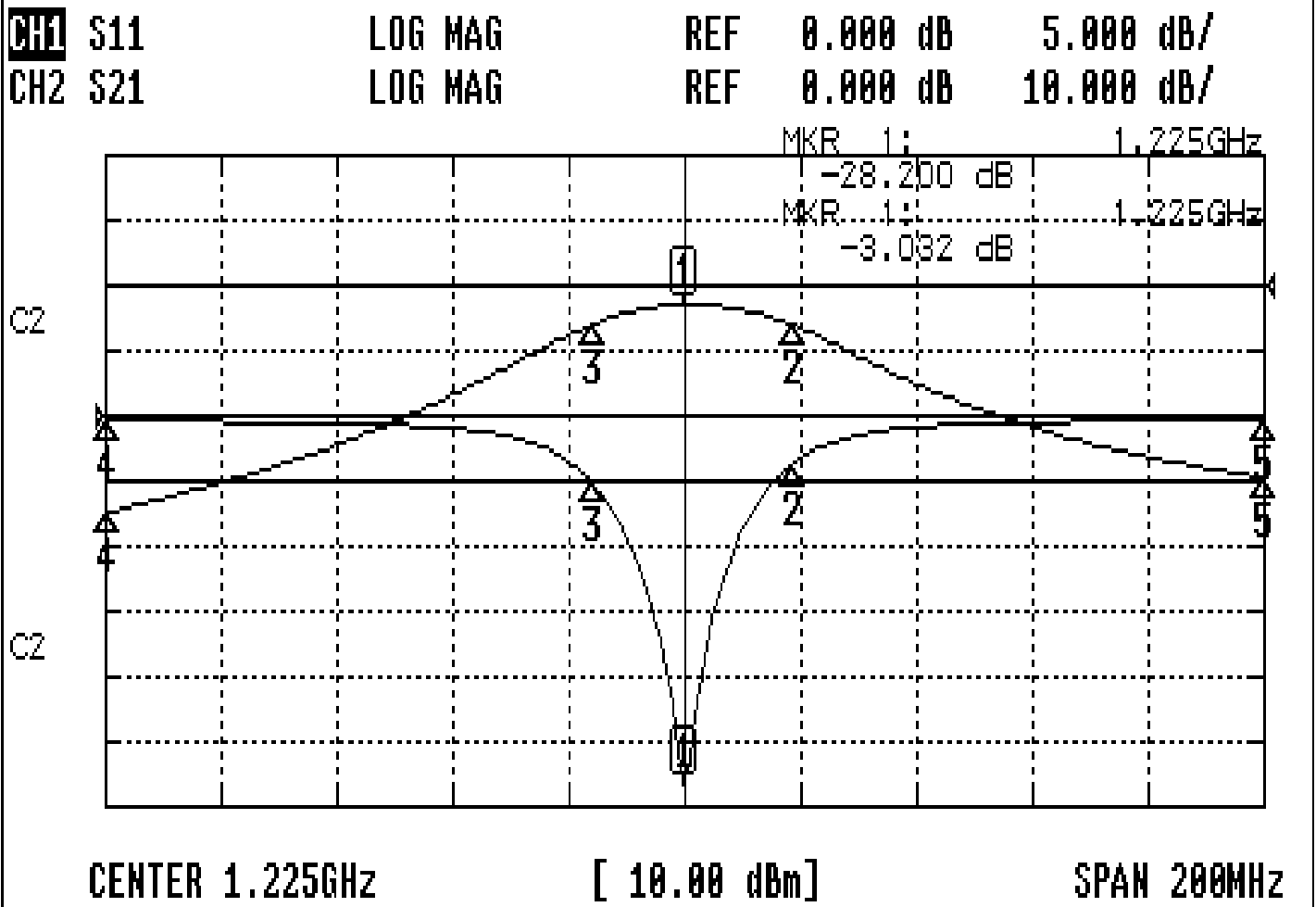
(7) Measuring Circuit: ※Easy to match Impedance 50Ω/ by parallel with about (0) pF.



Approval	Supervisor	Designer	Aperture size
C.Y. Chang	C.S. Chang	P.H. Chiang	5w2(3.8*4.0)(4.10) 5HW024RB3

# Performance-TDW2704B-1225M

## 0602069DC



### CH1 MARKER LIST

1:	1.225 000GHz	-28.168 dB
2:	1.243 666GHz	-3.680 dB
3:	1.209 000GHz	-5.035 dB
4:	1.125 000GHz	-0.373 dB
5:	1.325 000GHz	-0.347 dB

### CH2 MARKER LIST

1:	1.225 000GHz	-3.032 dB
2:	1.243 666GHz	-6.000 dB
3:	1.209 000GHz	-6.001 dB
4:	1.125 000GHz	-34.984 dB
5:	1.325 000GHz	-29.574 dB