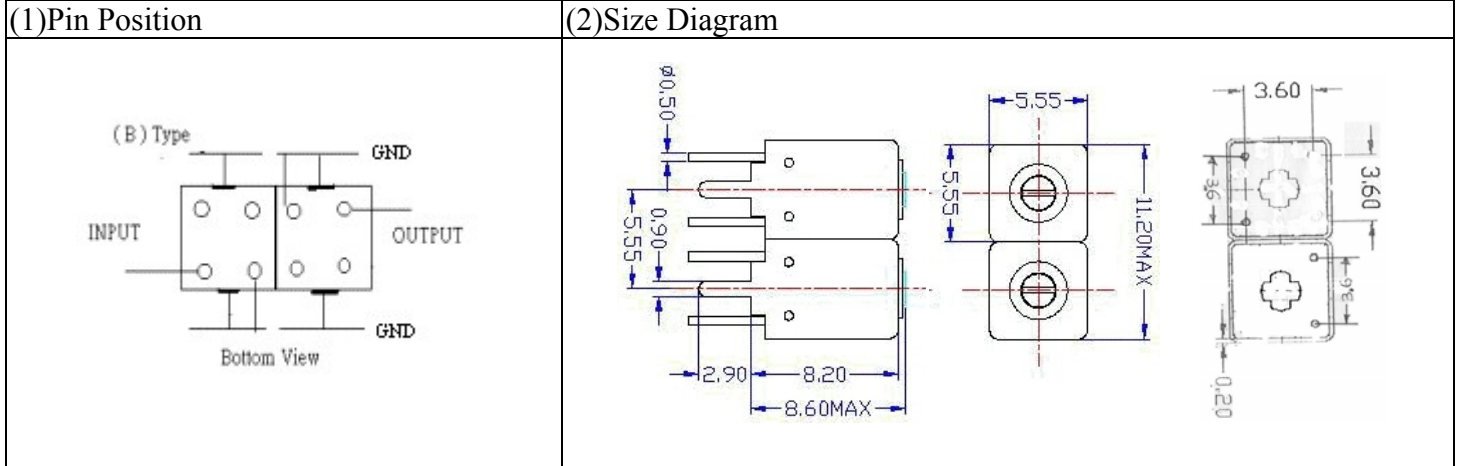


VHF UHF Helical Filter Specification Sheet

Customer Name		Temwell's Part No.	TDW2705B-1375M
Approval No. /dated	0602070APR	Acceptable Specify Fo Range	1351M~1400M
Work Instruction No.	0602070DC	Date	Apr.25.2006



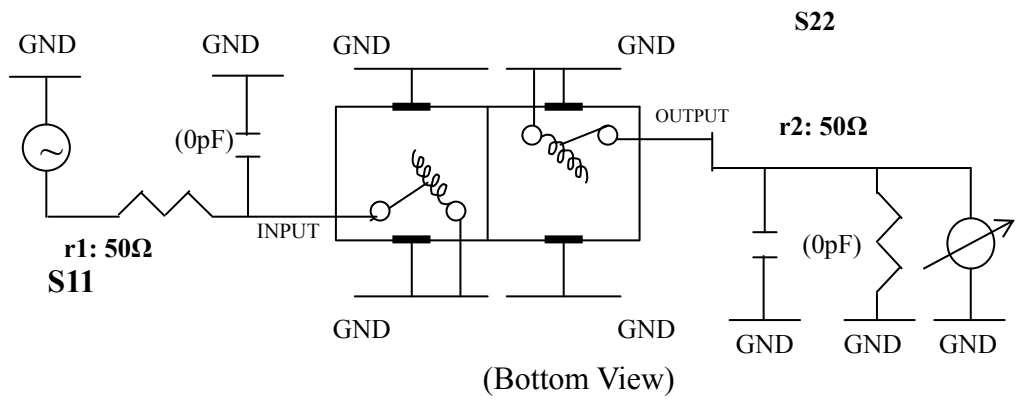
(3) Electric Character		Item	Specify	Performance
		Center Freq.(Fo) +/- 0.5 %	1375 MHz	1375 MHz
		Tunable Range:	1375±10 MHz	1375±10 MHz
		Insertion Loss	Typ. 4.5 dB	3.64 dB
		-3 dB Bandwidth	Typ. 27 MHz	34.0 MHz
Sensitivity (Attenuation)	Fo - 100 MHz	Typ. 27 dBc		30 dBc
	Fo + 100 MHz	Typ. 22 dBc		25 dBc
	Fo - ()MHz	Typ. dBc		dBc
	Fo +()MHz	Typ. dBc		dBc
		Return Loss	Min. 12 dB	20.0 dB
		Ripple	< 1 dB	dB
		Impedance	In / Out : 50 Ω	In / Out : 50 Ω

(4) Torque for Tuning Screw > 60gf • cm

(5) Temperature Condition:
 Operating Temperature 0°C ~ +60°C
 Storage Temperature -20°C ~ +70°C

(6) Input Power > 0.5Watt

(7) Measuring Circuit: ※Easy to match Impedance 50Ω/ by parallel with about (0) pF.



Approval	Supervisor	Designer	Aperture size
C.Y. Chang	C.S. Chang	C.S. Chang	5w2(3.8*3.7)(3.71) 5HW024RB3

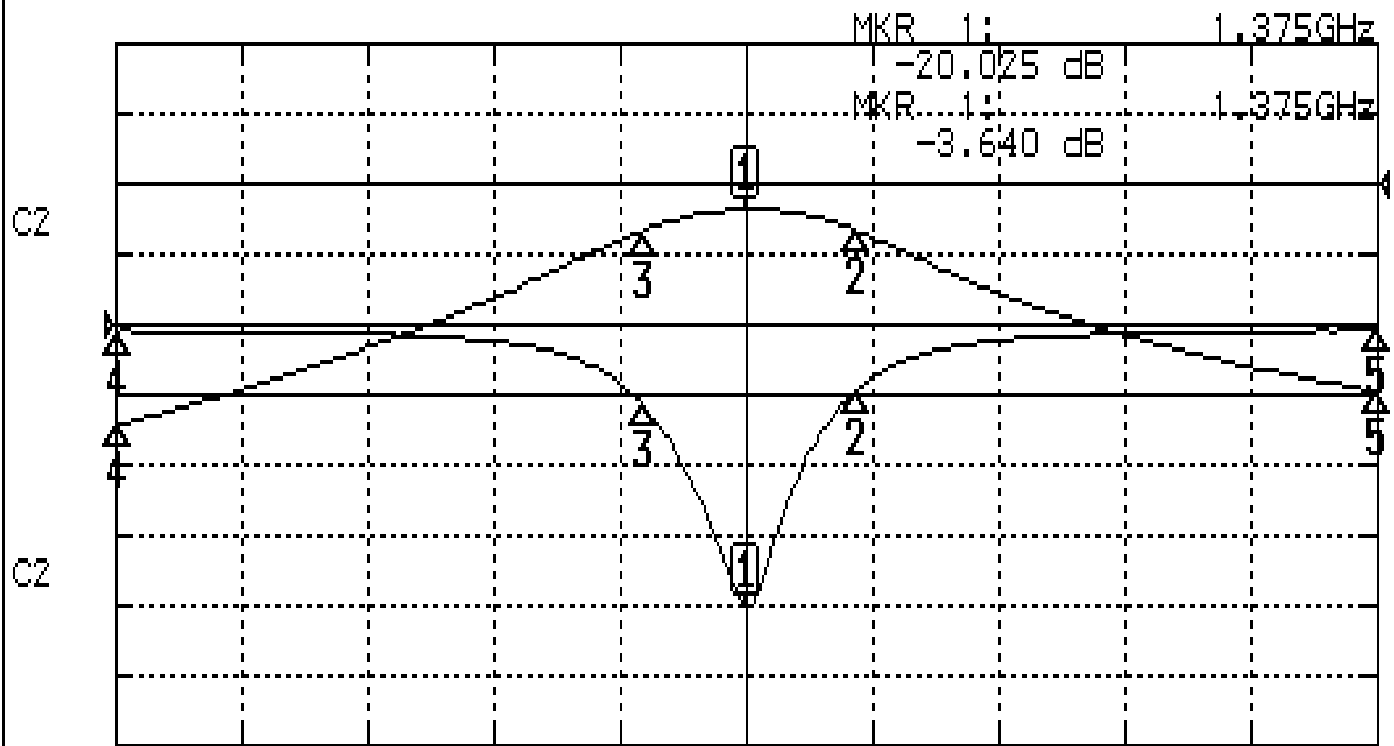
TEMWELL CORPORATION

TEMWELL RP:C.S.Chang

Performance-TDW2705B-1375M

0602070DC

CH1 S11 LOG MAG REF 0.000 dB 5.000 dB/
 CH2 S21 LOG MAG REF 0.000 dB 10.000 dB/



CENTER 1.375GHz

[10.00 dBm]

SPAN 200MHz

CH1 MARKER LIST

Marker	Frequency (GHz)	Magnitude (dB)
1	1.375000	-20.042
2	1.392500	-4.665
3	1.357500	-5.672
4	1.275000	-0.443
5	1.475000	-0.426

CH2 MARKER LIST

Marker	Frequency (GHz)	Magnitude (dB)
1	1.375000	-3.640
2	1.392500	-6.641
3	1.357500	-6.653
4	1.275000	-34.382
5	1.475000	-29.469