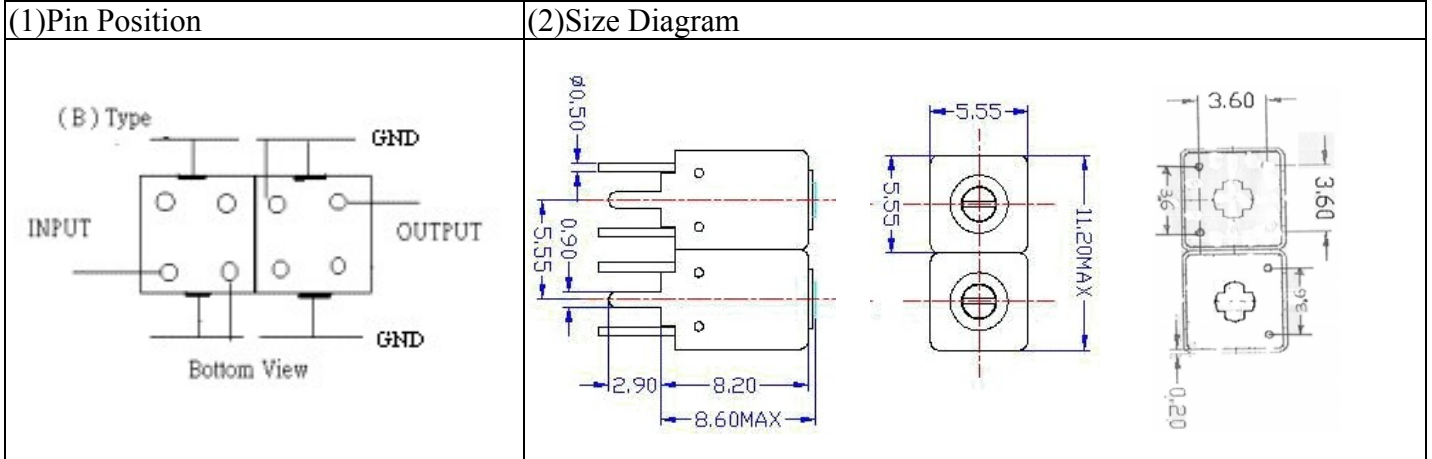


VHF UHF Helical Filter Specification Sheet

Customer Name		Temwell's Part No.	TDW2707B-1525M
Approval No. /dated	0602072APR	Acceptable Specify Fo Range	1501~1550MHz
Work Instruction No.	0602072DC	Date	May.29.2006



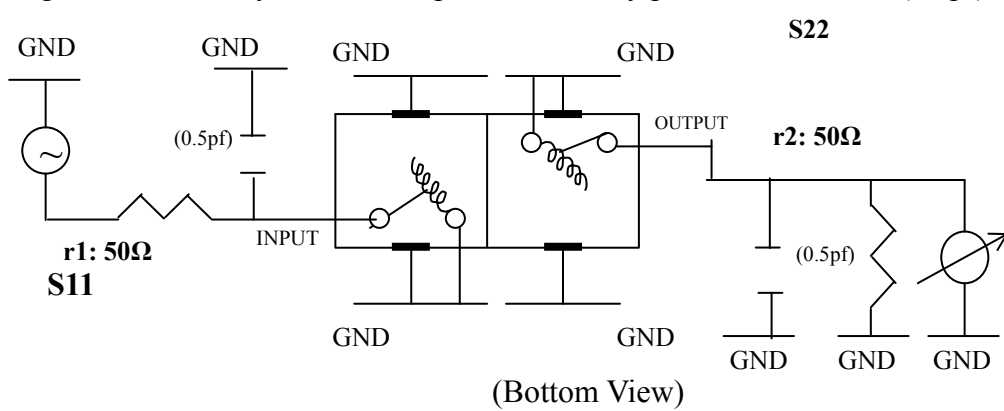
(3) Electric Character			
Item	Specify	Performance	
Center Freq.(Fo) +/- 0.5 %	1525 MHz	1525 MHz	
Tunable Range	1525±5 MHz	1525±5 MHz	
Insertion Loss	Typ. 3.5 dB	2.67 dB	
-3 dB Bandwidth	Typ. 20 MHz	40.7 MHz	
Sensitivity (Attenuation)	Fo - 100 MHz	Typ. 26 dBc	29 dBc
	Fo + 100 MHz	Typ. 23 dBc	26 dBc
	Fo -() MHz	Typ. dBc	dBc
	Fo +()MHz	Typ. dBc	dBc
Return Loss	Min. 12 dB	18.4 dB	
Ripple	< 1 dB	dB	
Impedance	In / Out : 50 Ω	In / Out : 50 Ω	

(4) Torque for Tuning Screw > 60gf • cm

(5) Temperature Condition:
 Operating Temperature 0°C ~ +60°C
 Storage Temperature -20°C ~ +70°C

(6) Input Power > 0.5Watt

(7) Measuring Circuit: ※Easy to match Impedance 50Ω by parallel with about (0.5pf)/(0.5pf)



Approval	Supervisor	Designer	Aperture size
C.Y.Chang	C.S.Chang	P.H.Chiang	5W2(3.8*3.5)(3.58) 5HW024RB3

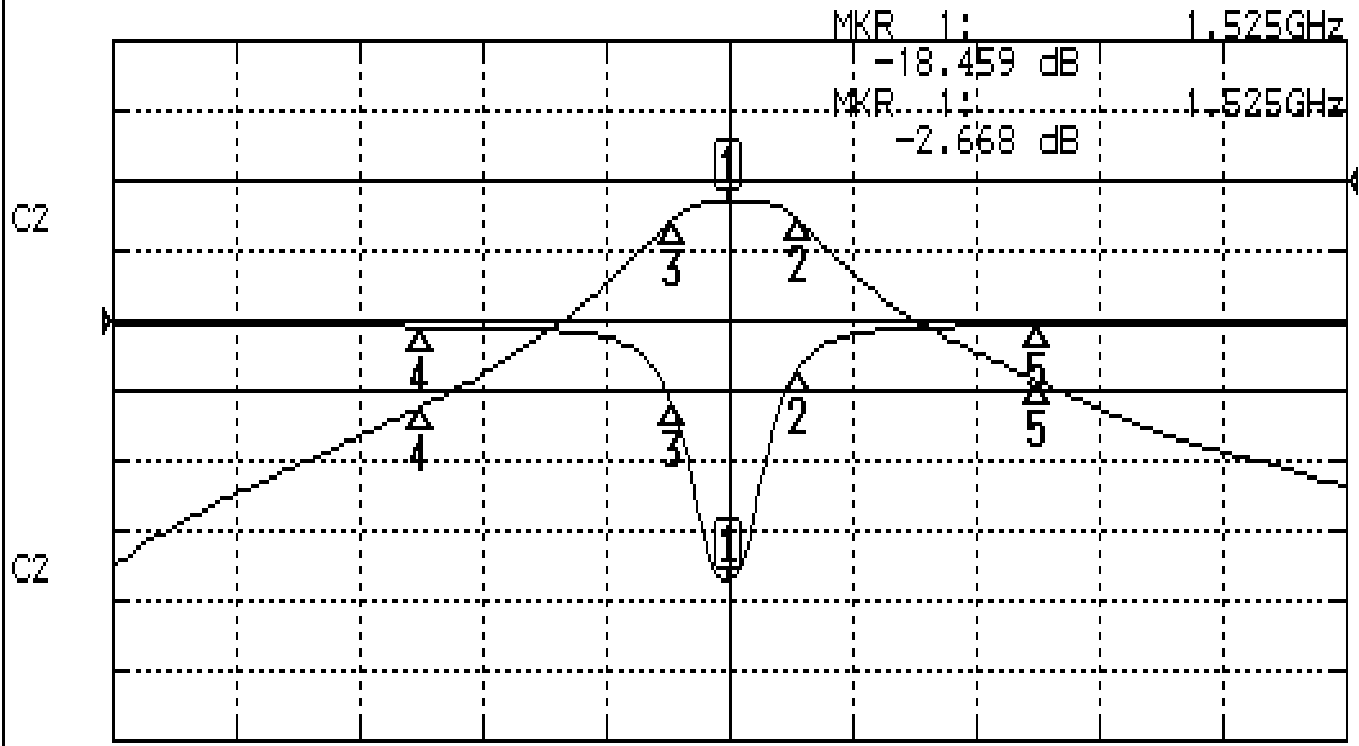
TEMWELL CORPORATION

TEMWELL RP(P.H)

Performance-TDW2707B-1525M

0602072DC

CH1 S11 LOG MAG REF 0.000 dB 5.000 dB/
CH2 S21 LOG MAG REF 0.000 dB 10.000 dB/



CENTER 1.525GHz

[10.00 dBm]

SPAN 400MHz

CH1 MARKER LIST

1:	1.525	000GHz	-18.459	dB
2:	1.547	333GHz	-2.668	dB
3:	1.506	666GHz	-2.668	dB
4:	1.425	000GHz	-2.451	dB
5:	1.625	000GHz	-2.380	dB

CH2 MARKER LIST

1:	1.525	000GHz	-2.671	dB
2:	1.547	333GHz	-2.682	dB
3:	1.506	666GHz	-2.642	dB
4:	1.425	000GHz	-2.264	dB
5:	1.625	000GHz	-28.628	dB