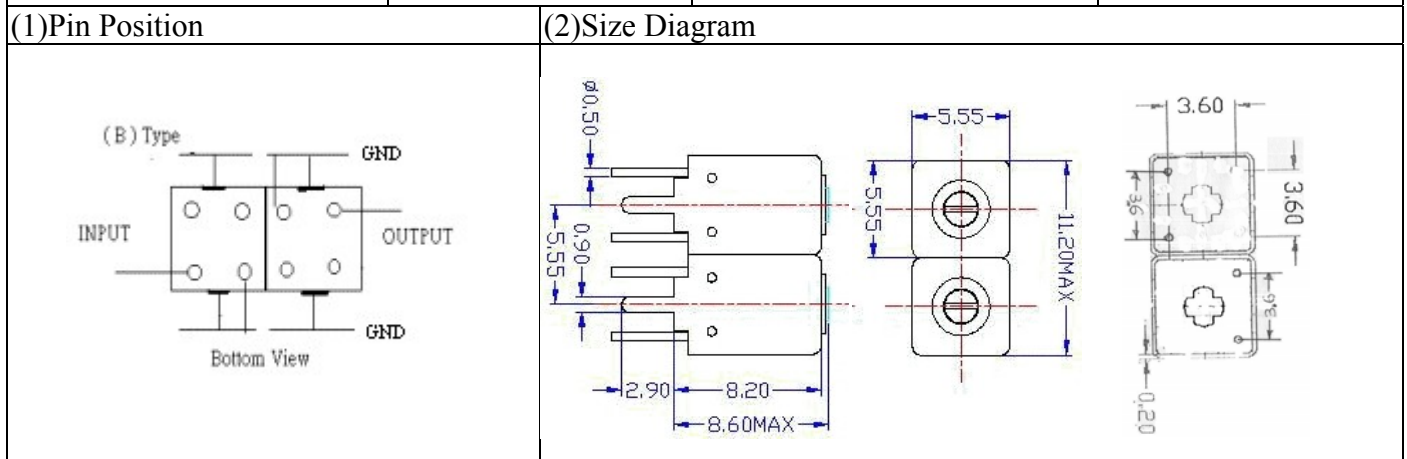


VHF UHF Helical Filter Specification Sheet

Customer Name		Temwell's Part No.	TDW2708B-1575M
Approval No. /dated	0602073APR	Acceptable Specify Fo Range	1551~1600MHz
Work Instruction No.	0602073DC	Date	JuL.13.2006



(3) Electric Character

Item	Specify	Performance	
Center Freq.(Fo) +/- 0.5 %	1575 MHz	1575 MHz	
Tunable Range:	1575±5 MHz	1575±5 MHz	
Insertion Loss	Typ. 4.0 dB	3.42 dB	
-3 dB Bandwidth	Typ. 20 MHz	41.7 MHz	
Sensitivity (Attenuation)	Fo - 150 MHz	Typ. 33 dBc	36 dBc
	Fo + 150 MHz	Typ. 26 dBc	30 dBc
	Fo - ()MHz	Typ. dBc	dBc
	Fo +()MHz	Typ. dBc	dBc
Return Loss	Min. 12 dB	27.8 dB	
Ripple	< 1 dB	dB	
Impedance	In / Out : 50 Ω	In / Out : 50 Ω	

(4) Torque for Tuning Screw > 60gf · cm

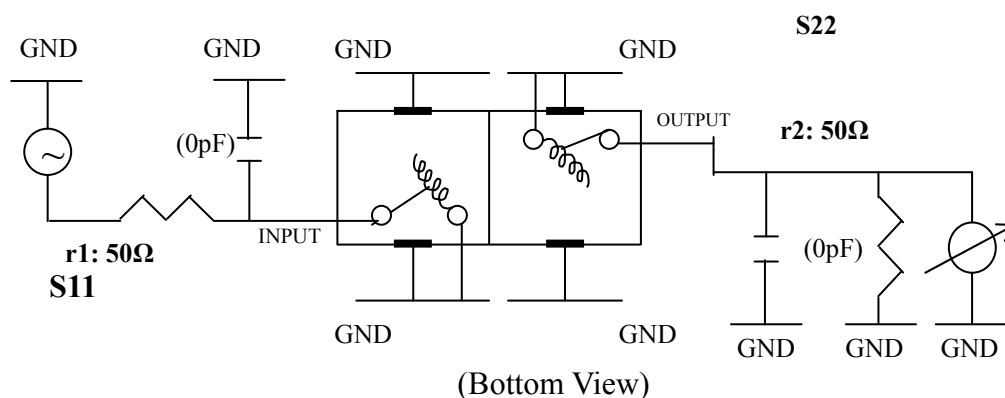
(5) Temperature Condition:

Operating Temperature 0°C ~ +60°C

Storage Temperature -20°C ~ +70°C

(6) Input Power > 0.5Watt

(7) Measuring Circuit: ※Easy to match Impedance 50Ω/ by parallel with about (0) pF.



Approval	Supervisor	Designer	Aperture size
C.Y.Chang	C.S.Chang	W.W.Wang	5w2(3.8*4.5) 5HW046RB3.2

TEMWELL CORPORATION

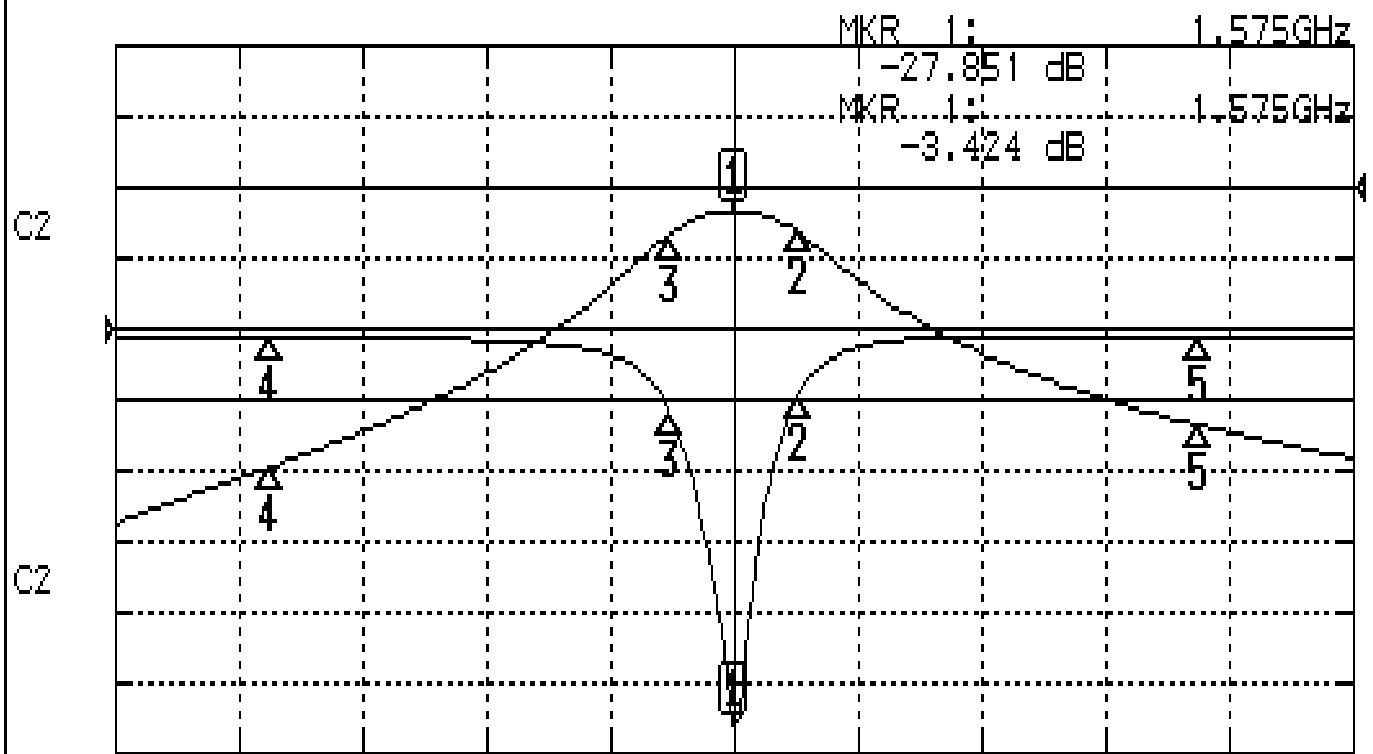
TEMWELL

RP:p.h

Performance-TDW2708B-1575M

0602073DC

CH1 S11 LOG MAG REF 0.000 dB 5.000 dB/
CH2 S21 LOG MAG REF 0.000 dB 10.000 dB/



CENTER 1.575GHz

[10.00 dBm]

SPAN 400MHz

CH1 MARKER LIST

1:	1.575	000GHz	-27.864	dB
2:	1.596	000GHz	-4.646	dB
3:	1.554	333GHz	-5.837	dB
4:	1.425	000GHz	-0.533	dB
5:	1.725	000GHz	-0.454	dB

CH2 MARKER LIST

1:	1.575	000GHz	-3.424	dB
2:	1.596	000GHz	-6.437	dB
3:	1.554	333GHz	-6.479	dB
4:	1.425	000GHz	-3.505	dB
5:	1.725	000GHz	-3.538	dB