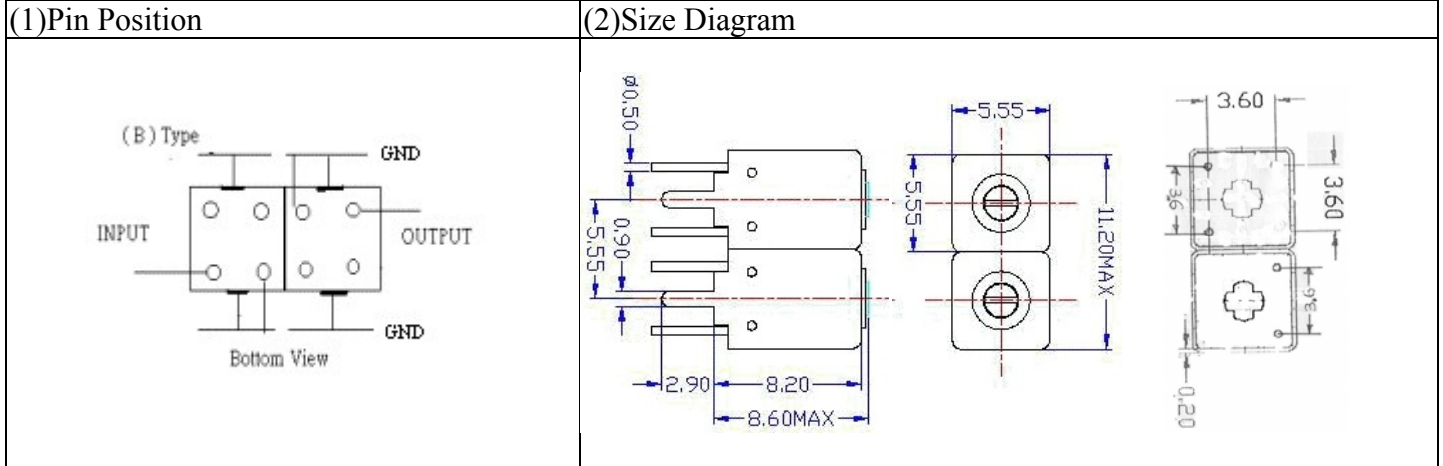


# VHF UHF Helical Filter Specification Sheet

Customer Name		Temwell's Part No.	TDW2715B-1925M
Approval No. /dated	0602080APR	Acceptable Specify Fo Range	1901M~1950M
Work Instruction No.	0602080DC	Date	May.08.2006



(3) Electric Characteristic

Item	Specify	Performance
Center Freq.(Fo ) +/- 0.5 %	1925 MHz	1925 MHz
Tunable Range:	1925±10 MHz	1925±10 MHz
Insertion Loss	Typ. 5.0 dB	3.83 dB
-3 dB Bandwidth	Typ. 30 MHz	40.0 MHz
Sensitivity (Attenuation)	Fo - 100 MHz	Typ. 25 dBc
	Fo + 100 MHz	Typ. 22 dBc
	Fo - ( )MHz	Typ. dBc
	Fo +( )MHz	Typ. dBc
Return Loss	Min. 12 dB	24.9 dB
Ripple	< 1 dB	dB
Impedance	In / Out : 50 Ω	In / Out : 50 Ω

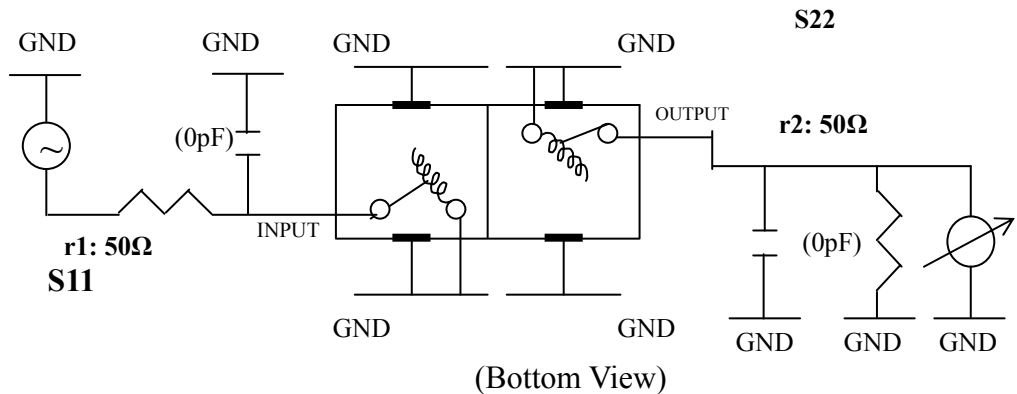
(4) Torque for Tuning Screw > 60gf • cm

(5) Temperature Condition:

Operating Temperature	0°C ~ +60°C
Storage Temperature	-20°C ~ +70°C

(6) Input Power > 0.5Watt

(7) Measuring Circuit: ※Easy to match Impedance 50Ω/ by parallel with about (0) pF.



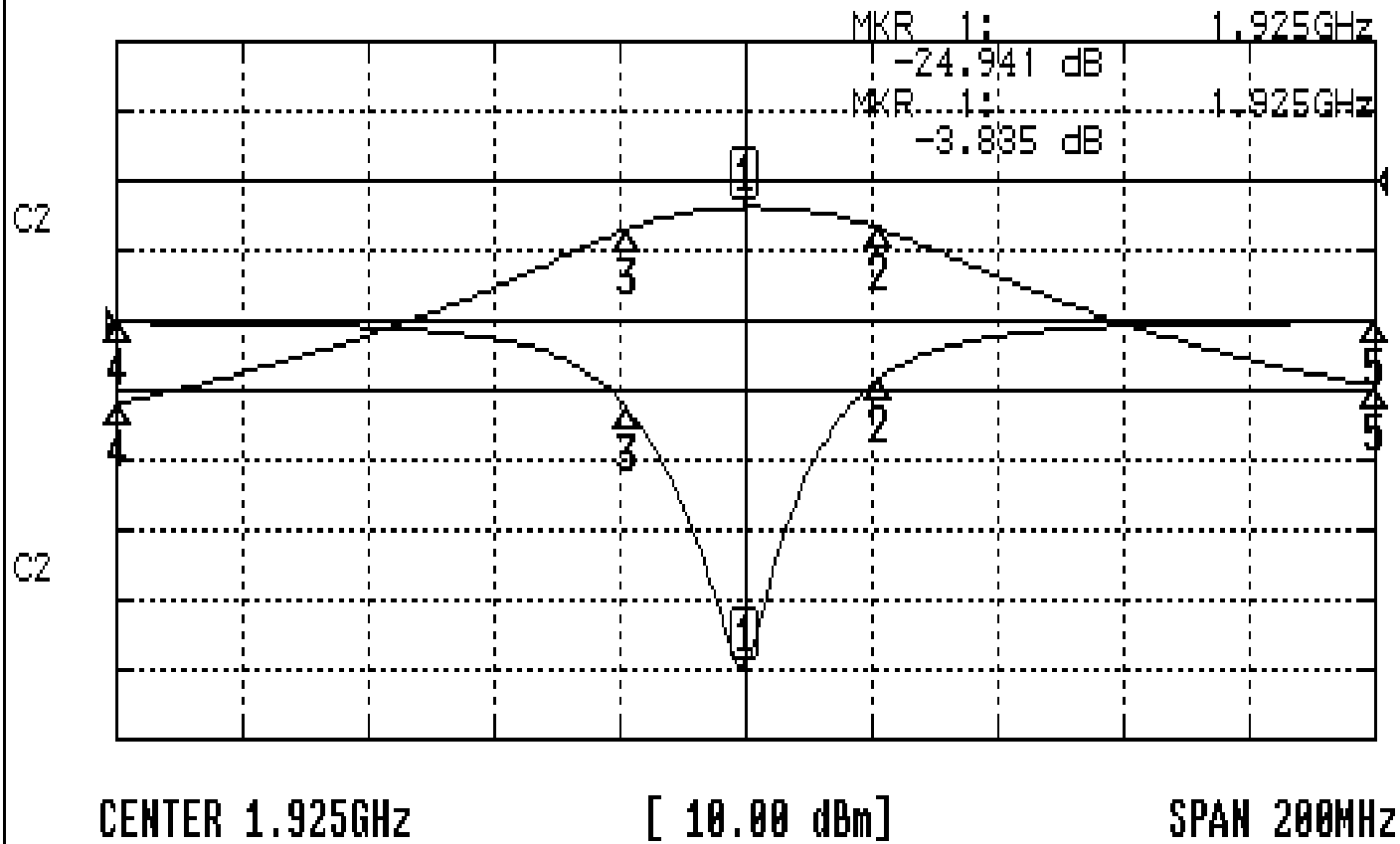
Approval	Supervisor	Designer	Aperture size
C.Y. Chang	C.S. Chang	C.S. Chang	5w2(3.8*3.5)(3.62) 5HW024RB3

TEMWELL CORPORATION

# Performance-TDW2715B-1925M

## 0602080DC

**CH1** S11 LOG MAG REF 0.000 dB 5.000 dB/  
**CH2** S21 LOG MAG REF 0.000 dB 10.000 dB/



### CH1 MARKER LIST

1:	1.925	000GHz	-24.938	dB
2:	1.946	333GHz	-4.148	dB
3:	1.906	333GHz	-6.297	dB
4:	1.825	000GHz	-0.125	dB
5:	2.025	000GHz	-0.083	dB

### CH2 MARKER LIST

1:	1.925	000GHz	-3.885	dB
2:	1.946	333GHz	-6.864	dB
3:	1.906	333GHz	-6.831	dB
4:	1.825	000GHz	-31.915	dB
5:	2.025	000GHz	-29.157	dB