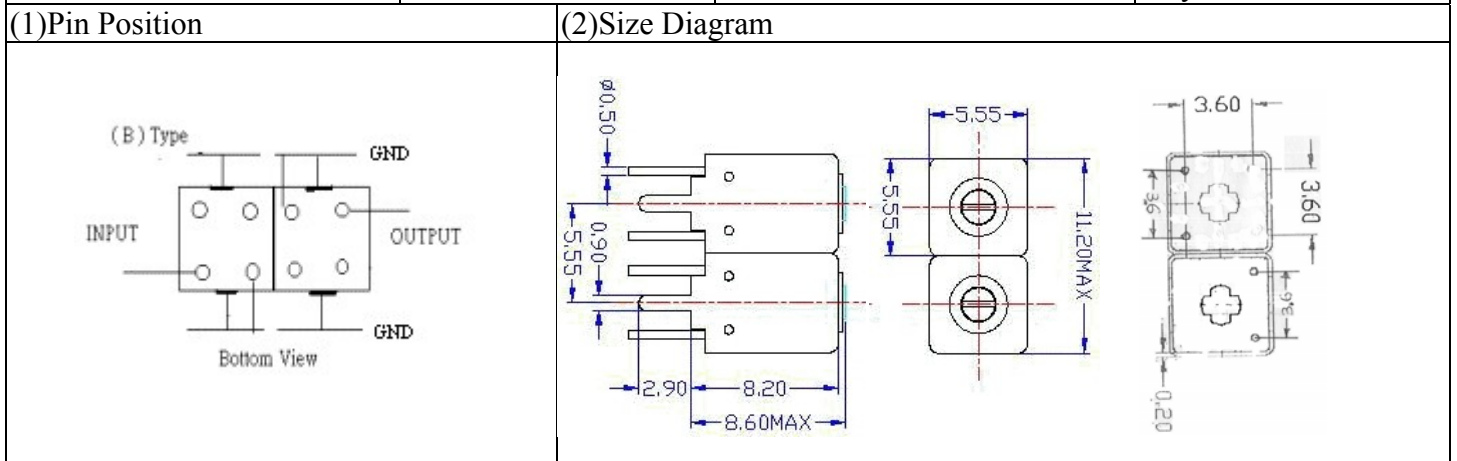


VHF UHF Helical Filter Specification Sheet

Customer Name		Temwell's Part No.	TDW2718B-2075M
Approval No. /dated	0602083APR	Acceptable Specify Fo Range	2051M~2100M
Work Instruction No.	0602083DC	Date	May.11.2006



(3) Electric Character

Item	Specify	Performance
Center Freq.(Fo) +/- 0.5 %	2075 MHz	2075 MHz
Tunable Range:	2075±5 MHz	2075±5 MHz
Insertion Loss	Typ. 4.5 dB	3.38 dB
-3 dB Bandwidth	Typ. 33 MHz	43.7 MHz
Sensitivity (Attenuation)	Fo - 100 MHz	Typ. 23 dBc
	Fo + 100 MHz	Typ. 20 dBc
	Fo - ()MHz	Typ. dBc
	Fo +()MHz	Typ. dBc
Return Loss	Min. 12 dB	20.4 dB
Ripple	< 1 dB	dB
Impedance	In / Out : 50 Ω	In / Out : 50 Ω

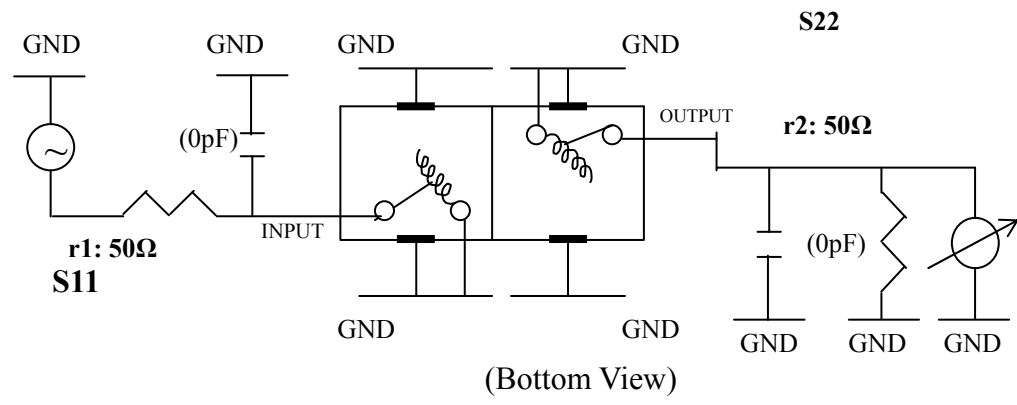
(4) Torque for Tuning Screw

> 60gf • cm

(5) Temperature Condition:

Operating Temperature	0°C ~ +60°C
Storage Temperature	-20°C ~ +70°C
(6) Input Power	> 0.5Watt

(7) Measuring Circuit: ※Easy to match Impedance 50Ω/ by parallel with about (0) pF.



Approval	Supervisor	Designer	Aperture size
C.Y.Chang	C.S.Chang	C.S.Chang	5w2(3.8*3.5)(3.60) 5HW024RB3

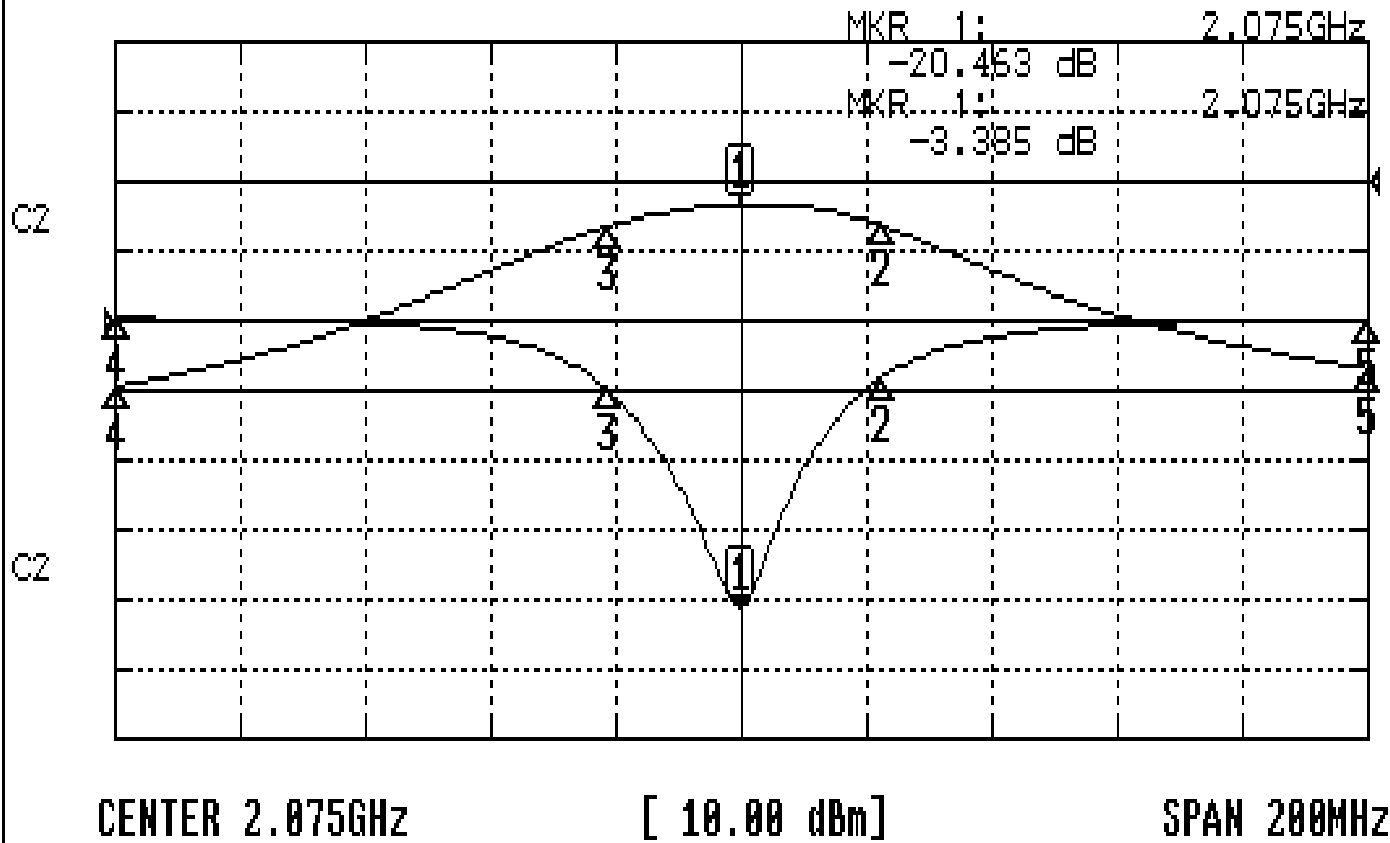
TEMWELL CORPORATION

TEMWELL RP:C.S.Chang

Performance-TDW2718B-2075M

0602083D

CH1 S11 LOG MAG REF 0.000 dB 5.000 dB/
CH2 S21 LOG MAG REF 0.000 dB 10.000 dB/



CH1 MARKER LIST

Marker	Freq (GHz)	Magnitude (dB)
1	2.075000	-20.463
2	2.097500	-4.057
3	2.053833	-4.964
4	1.975000	0.175
5	2.175000	0.110

CH2 MARKER LIST

Marker	Freq (GHz)	Magnitude (dB)
1	2.075000	-3.385
2	2.097500	-6.331
3	2.053833	-6.383
4	1.975000	-29.442
5	2.175000	-26.812