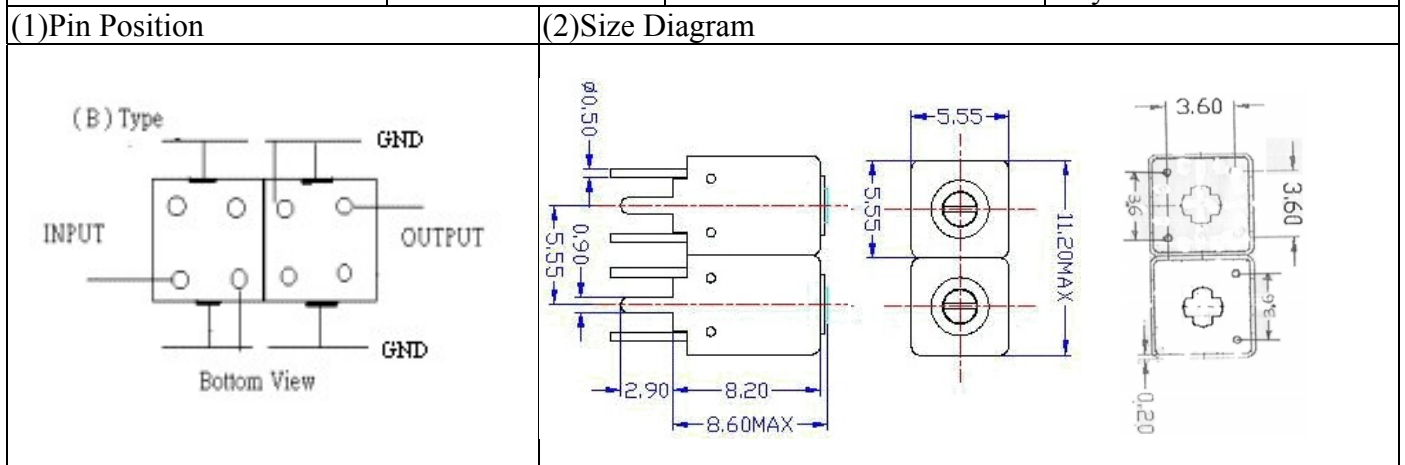


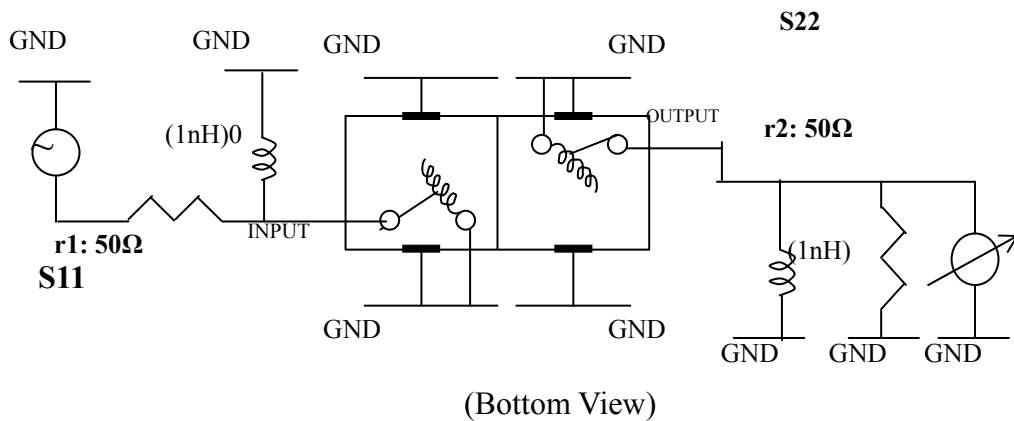
VHF UHF Helical Filter Specification Sheet

Customer Name		Temwell's Part No.	TDW2719B-2125M
Approval No. /dated	0602084APR	Acceptable Specify Fo Range	2101-2150MHz
Work Instruction No.	0602084DC	Date	May.11.2006



(3) Electric Character			
Item	Specify	Performance	
Center Freq.(Fo) +/- 0.5 %	2125 MHz	2125 MHz	
Tunable Range:	2125±5 MHz	2125±5 MHz	
Insertion Loss	Typ. 4.5 dB	3.28 dB	
-3 dB Bandwidth	Typ. 34 MHz	44.9 MHz	
Sensitivity (Attenuation)	Fo - 100 MHz	Typ. 19 dBc	22 dBc
	Fo + 100 MHz	Typ. 16 dBc	19 dBc
	Fo - ()MHz	Typ. dBc	dBc
	Fo +()MHz	Ty dBc	dBc
Return Loss	Min. 12 dB	16.0 dB	
Ripple	< 1 dB	dB	
Impedance	In / Out : 50 Ω	In / Out : 50 Ω	
(4) Torque for Tuning Screw			
> 60gf · cm			
(5) Temperature Condition:			
Operating Temperature	0°C ~ +60°C		
Storage Temperature	-20°C ~ +70°C		
(6) Input Power			
> 0.5Watt			

(7) Measuring Circuit: ※Easy to match Impedance 50Ω by parallel with about (1) nH.

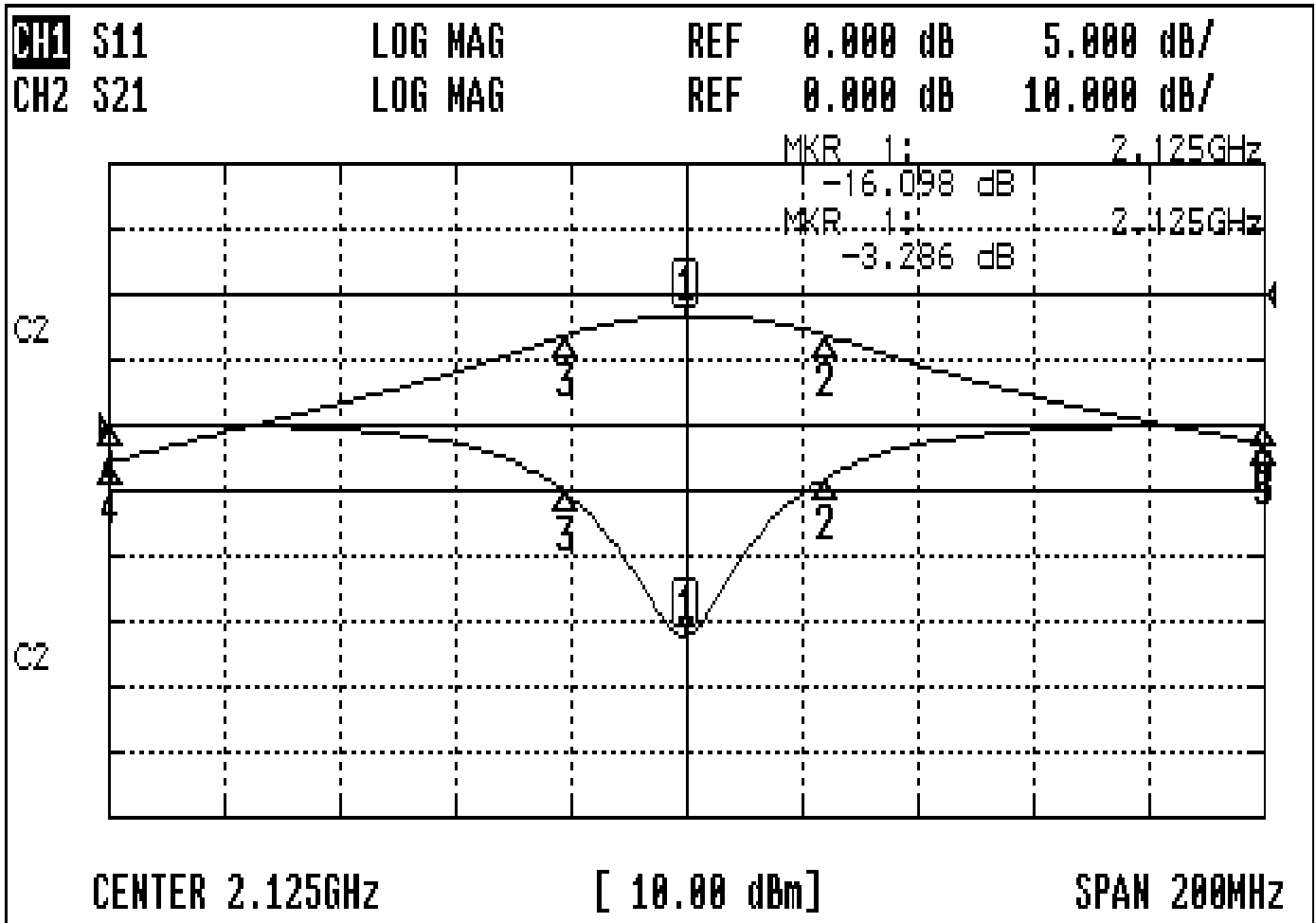


Approval	Supervisor	Designer	Aperture size
C.Y.Chang	C.S.Chang	C.S.Chang	5W2, 3.8*3.5(3.59) 5HW024RB3

TEMWELL CORPORATION

Performance-TDW2719B-2125M

0602084DC



CH1 MARKER LIST

1:	2.125 000GHz	-16.098 dB
2:	2.149 000GHz	-10.990 dB
3:	2.104 166GHz	-10.206 dB
4:	2.025 000GHz	0.125 dB
5:	2.225 000GHz	0.099 dB

CH2 MARKER LIST

1:	2.125 000GHz	-3.286 dB
2:	2.149 000GHz	-6.270 dB
3:	2.104 166GHz	-6.223 dB
4:	2.025 000GHz	-25.725 dB
5:	2.225 000GHz	-22.705 dB