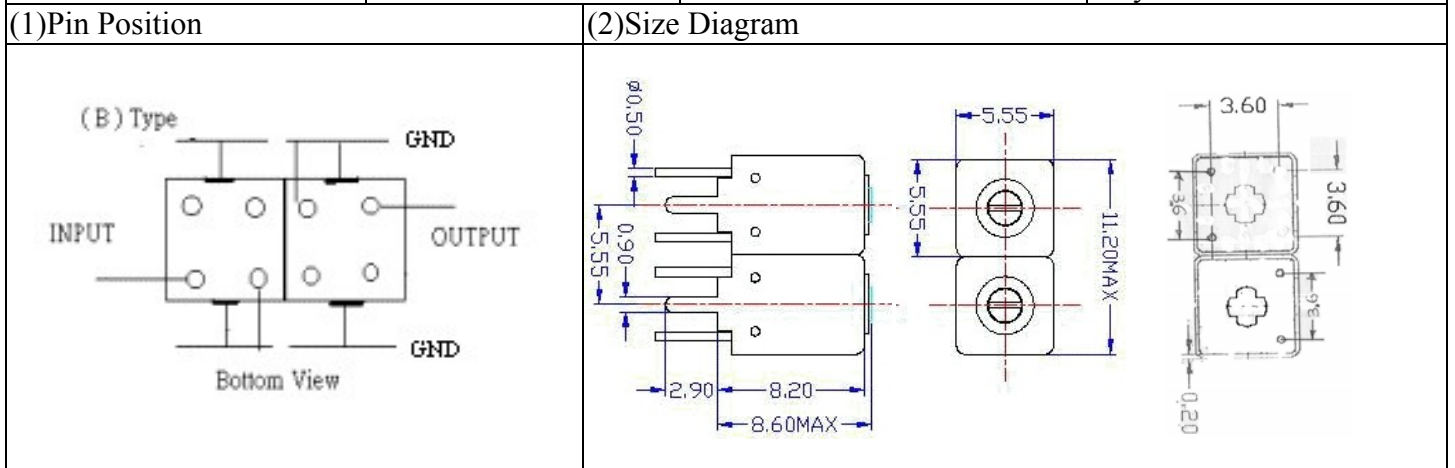


VHF UHF Helical Filter Specification Sheet

Customer Name		Temwell's Part No.	TDW2722B-2275M
Approval No. /dated	0602087APR	Acceptable Specify Fo Range	2251-2300MHz
Work Instruction No.	0602087DC	Date	May.15.2006

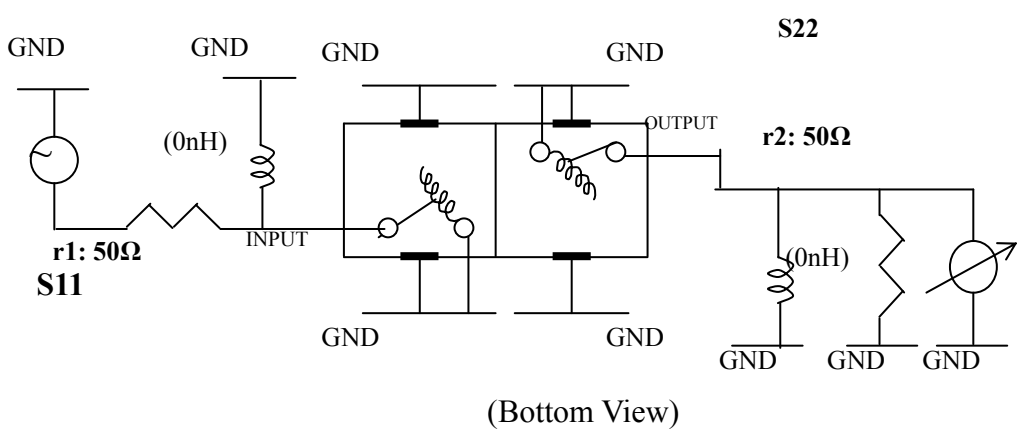


(3) Electric Character					
Item		Specify		Performance	
Center Freq.(Fo) +/- 0.5 %		2275 MHz		2275 MHz	
Tunable Range:		2275±10 MHz		2275±10 MHz	
Insertion Loss		Typ. 4.0 dB		3.08 dB	
-3 dB Bandwidth		Typ. 20 MHz		51.0 MHz	
Sensitivity (Attenuation)	Fo - 150 MHz	Typ. 27 dBc		30 dBc	
	Fo + 150 MHz	Typ. 23 dBc		26 dBc	
	Fo - ()MHz	Typ. dBc		dBc	
	Fo + ()MHz	Typ. dBc		dBc	
Return Loss		Min. 12 dB		21.1 dB	
Ripple		< 1 dB		dB	
Impedance		In / Out : 50 Ω		In / Out : 50 Ω	
(4) Torque for Tuning Screw		> 60gf • cm			

(5) Temperature Condition:	
Operating Temperature	0°C ~ +60°C
Storage Temperature	-20°C ~ +70°C

(6) Input Power > 0.5Watt

(7) Measuring Circuit: ※Easy to match Impedance 50Ω by parallel with about (0) nH.

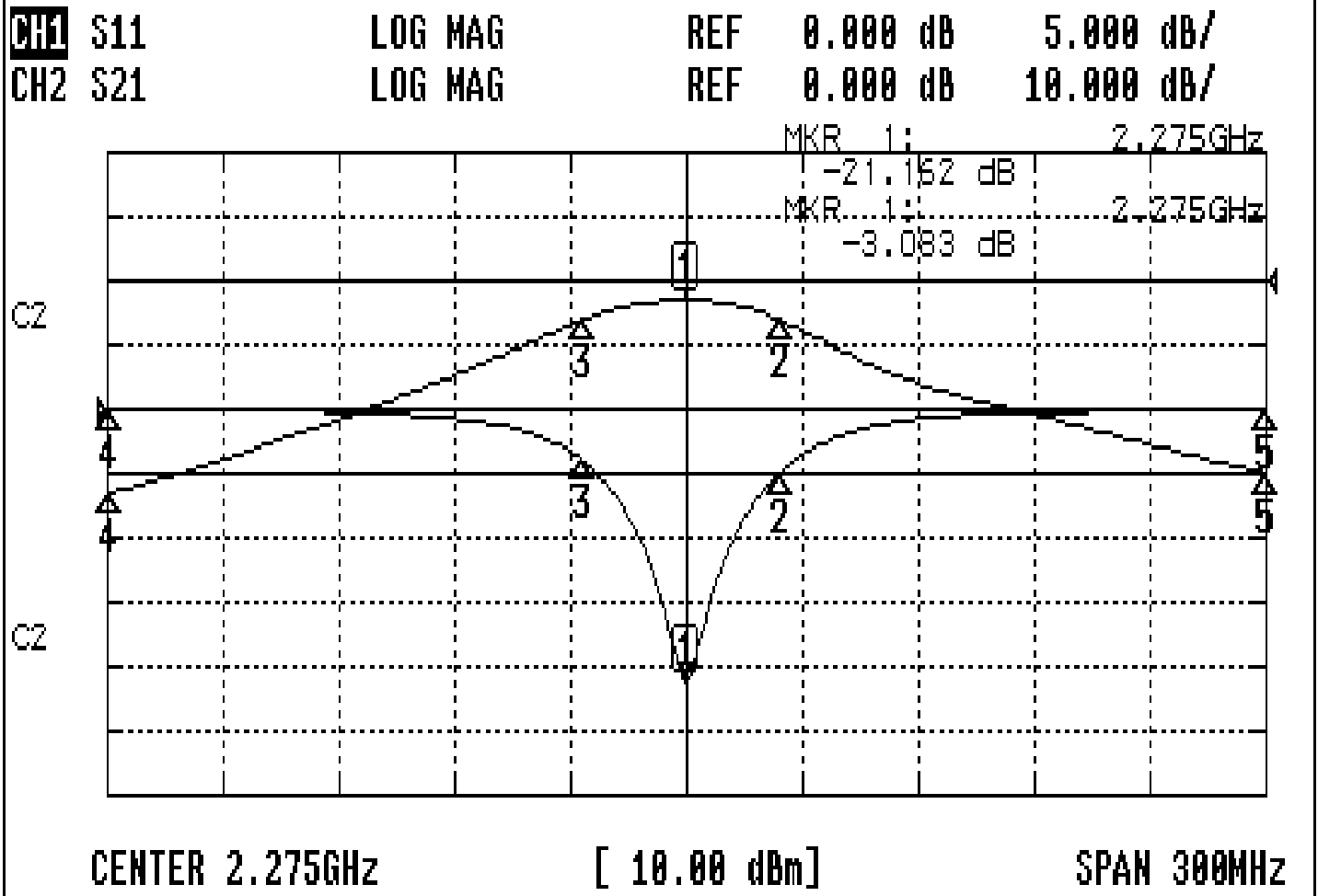


Approval	Supervisor	Designer	Aperture size
C.Y. Chang	C.S. Chang	C.S. Chang	5W2, 3.8*3.5(3.59) 5HW024RB3

TEMWELL CORPORATION

Performance-TDW2722B-2275M

0602087DC



CH1 MARKER LIST

Marker	Freq (GHz)	Magnitude (dB)
1	2.275000	-21.162
2	2.299250	-4.953
3	2.248250	-4.011
4	2.125000	0.072
5	2.425000	-0.041

CH2 MARKER LIST

Marker	Freq (GHz)	Magnitude (dB)
1	2.275000	-3.083
2	2.299250	-6.091
3	2.248250	-6.064
4	2.125000	-33.025
5	2.425000	-29.872