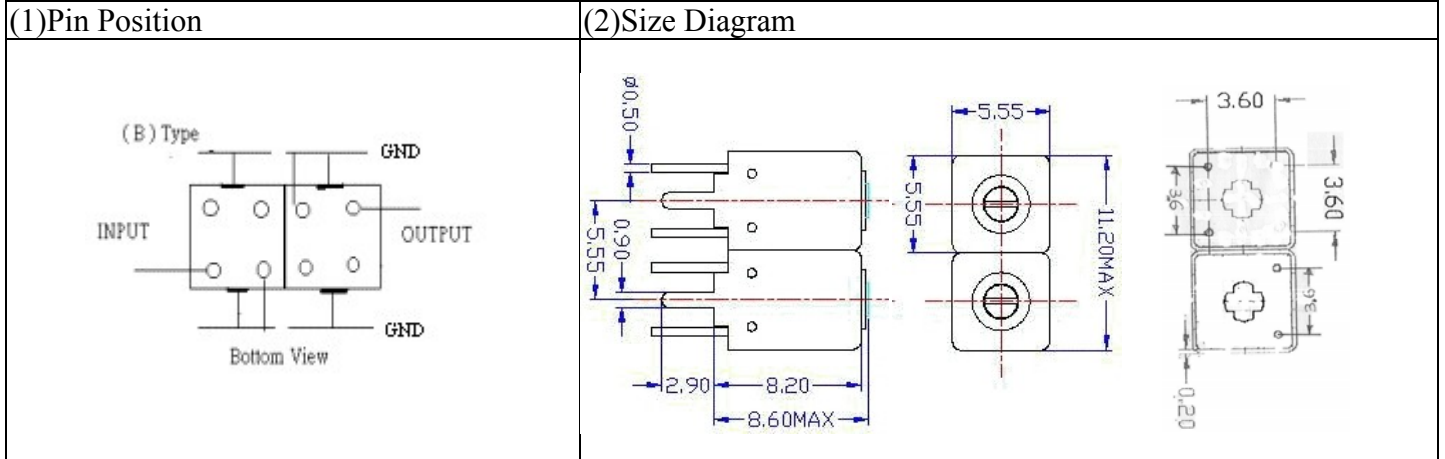


# VHF UHF Helical Filter Specification Sheet

Customer Name		Temwell's Part No.	TDW2728B-1375M
Approval No. /dated	0602089APR	Acceptable Specify Fo Range	1351M~1400M
Work Instruction No.	0602089DC	Date	Apr.27.2006



(3) Electric Character

Item	Specify	Performance
Center Freq.(Fo ) +/- 0.5 %	1375 MHz	1375 MHz
Tunable Range:	1375±5 MHz	1375±5 MHz
Insertion Loss	Typ. 3.5 dB	2.58 dB
-3 dB Bandwidth	Typ. 36 MHz	43.2 MHz
Sensitivity (Attenuation)	Fo - 150 MHz	Typ. 32 dBc
	Fo + 150 MHz	Typ. 26 dBc
	Fo - ( )MHz	Typ. dBc
	Fo +( )MHz	Typ. dBc
Return Loss	Min. 12 dB	18.9 dB
Ripple	< 1 dB	
Impedance	In / Out : 50 Ω	In / Out : 50 Ω

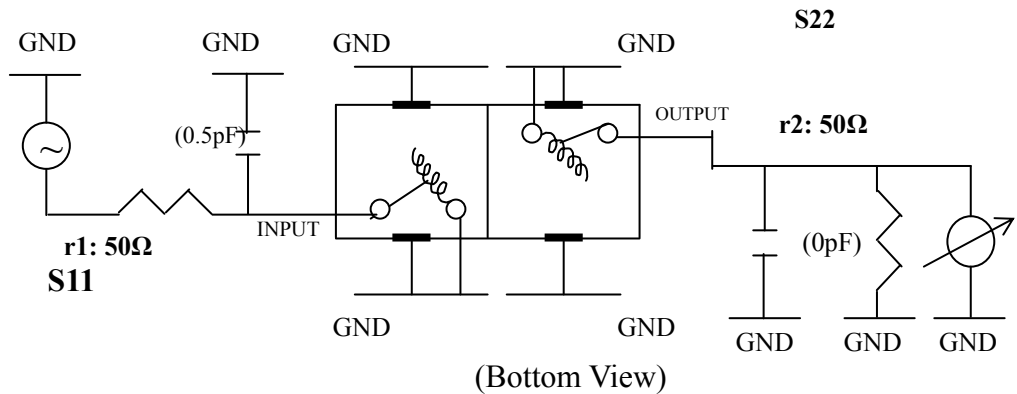
(4) Torque for Tuning Screw > 60gf • cm

(5) Temperature Condition:

Operating Temperature	0°C ~ +60°C
Storage Temperature	-20°C ~ +70°C

(6) Input Power > 0.5Watt

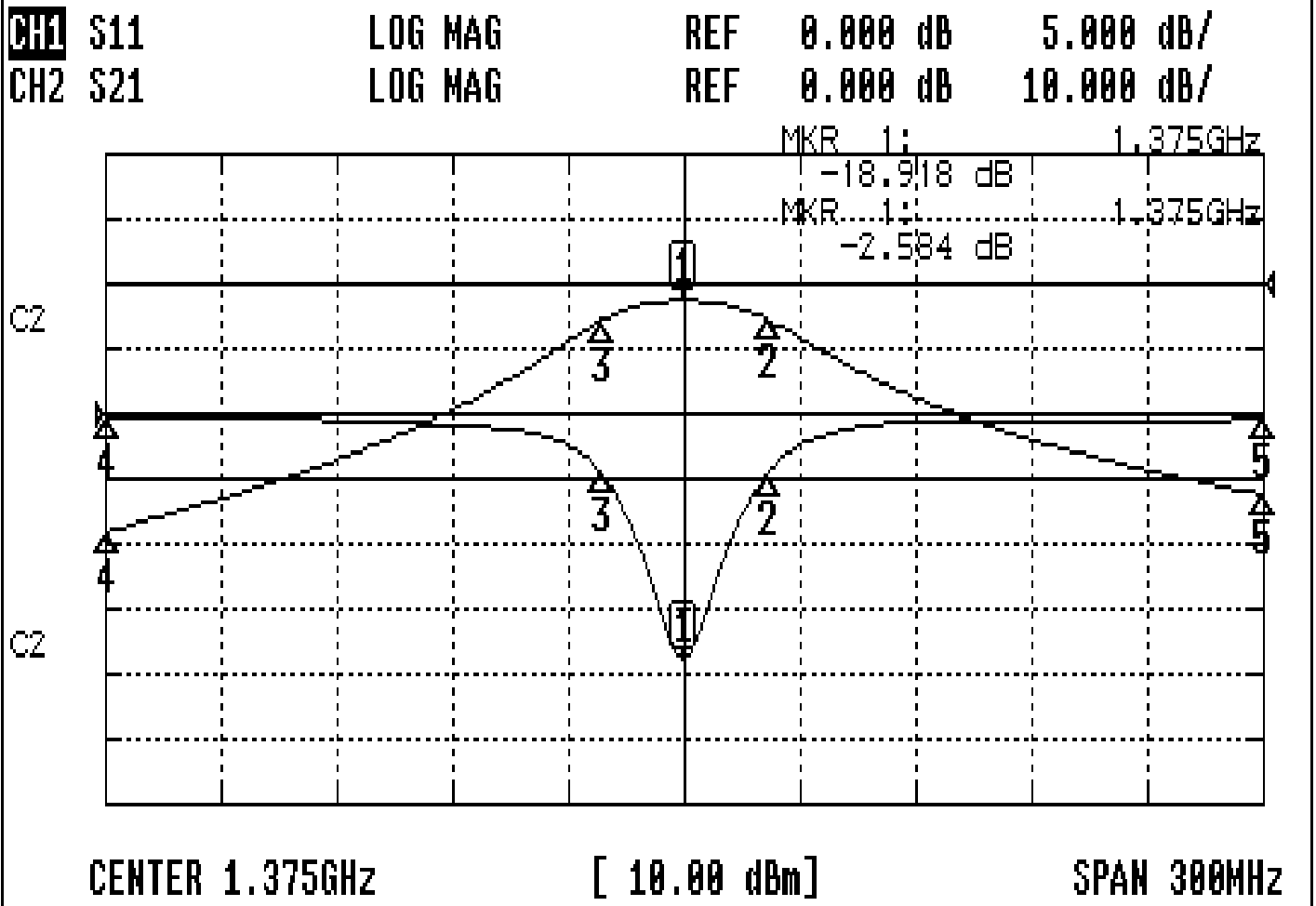
(7) Measuring Circuit: ※Easy to match Impedance 50Ω/ by parallel with about (0) pF.



Approval	Supervisor	Designer	Aperture size
C.Y. Chang	C.S. Chang	P.H. Chiang	5w2(3.8*4.0)(4.06) 5HW024RB3

# Performance-TDW2728B-1375M

## 0602089DC



### CH1 MARKER LIST

Marker	Freq (GHz)	Magnitude (dB)
1	1.375000	-18.910
2	1.396750	-4.546
3	1.353250	-4.426
4	1.225000	-0.229
5	1.525000	-0.398

### CH2 MARKER LIST

Marker	Freq (GHz)	Magnitude (dB)
1	1.375000	-2.584
2	1.396750	-1.577
3	1.353250	-1.686
4	1.225000	-38.157
5	1.525000	-32.391