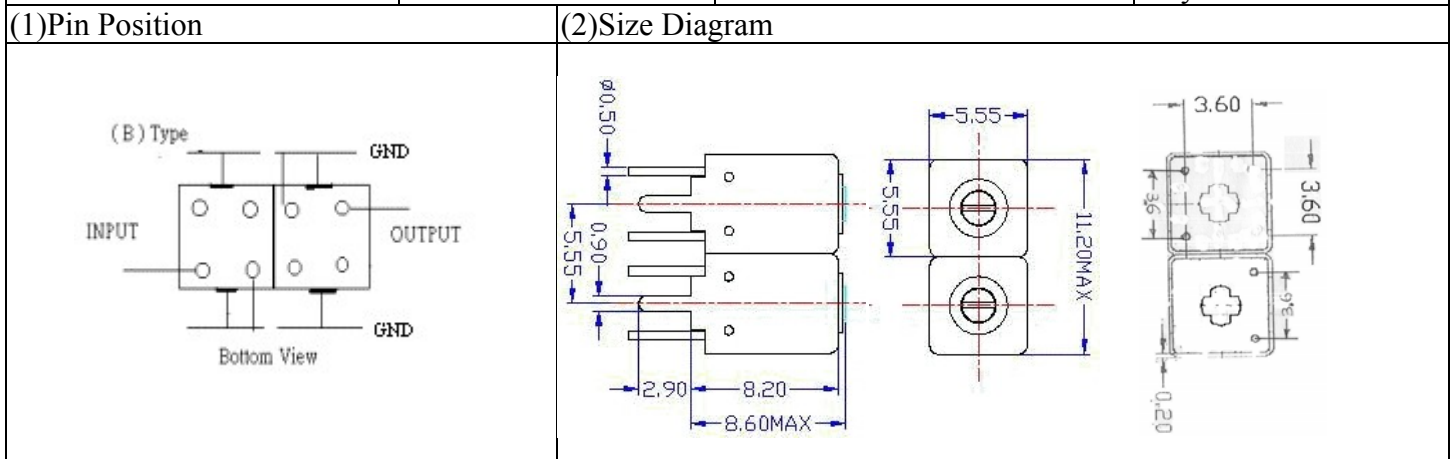


VHF UHF Helical Filter Specification Sheet

Customer Name		Temwell's Part No.	TDW2733B-2025M
Approval No. /dated	0602094APR	Acceptable Specify Fo Range	2001M~2050M
Work Instruction No.	0602094DC	Date	May.09.2006



Item		Specify	Performance
Center Freq.(Fo) +/- 0.5 %		2025 MHz	2025 MHz
Tunable Range:		2025±5 MHz	2025±5 MHz
Insertion Loss		Typ. 3.5 dB	2.63 dB
-3 dB Bandwidth		Typ. 40 MHz	54.2 MHz
Sensitivity (Attenuation)	Fo - 100 MHz	Typ. 19 dBc	22 dBc
	Fo + 100 MHz	Typ. 18 dBc	21 dBc
	Fo - ()MHz	Typ. dBc	dBc
	Fo +()MHz	Typ. dBc	dBc
Return Loss		Min. 12 dB	20.9 dB
Ripple		< 1 dB	dB
Impedance		In / Out : 50 Ω	In / Out : 50 Ω

(4) Torque for Tuning Screw > 60gf · cm

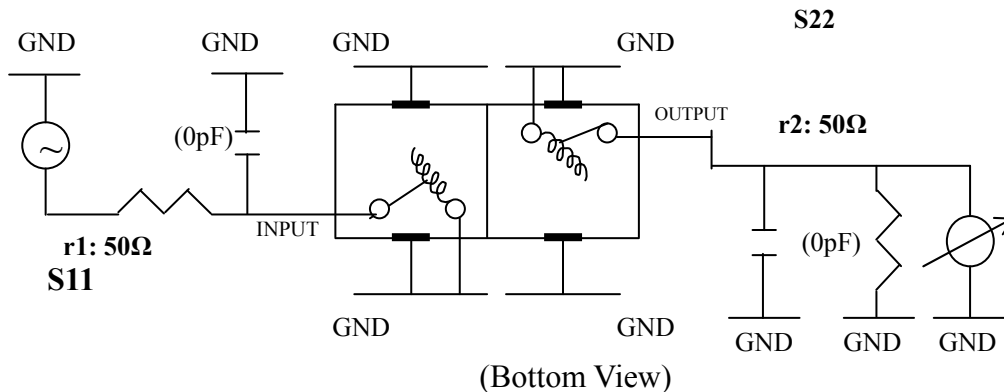
(5) Temperature Condition:

Operating Temperature 0°C ~ +60°C

Storage Temperature -20°C ~ +70°C

(6) Input Power > 0.5 Watt

(7) Measuring Circuit: ※Easy to match Impedance 50Ω/ by parallel with about (0) pF.



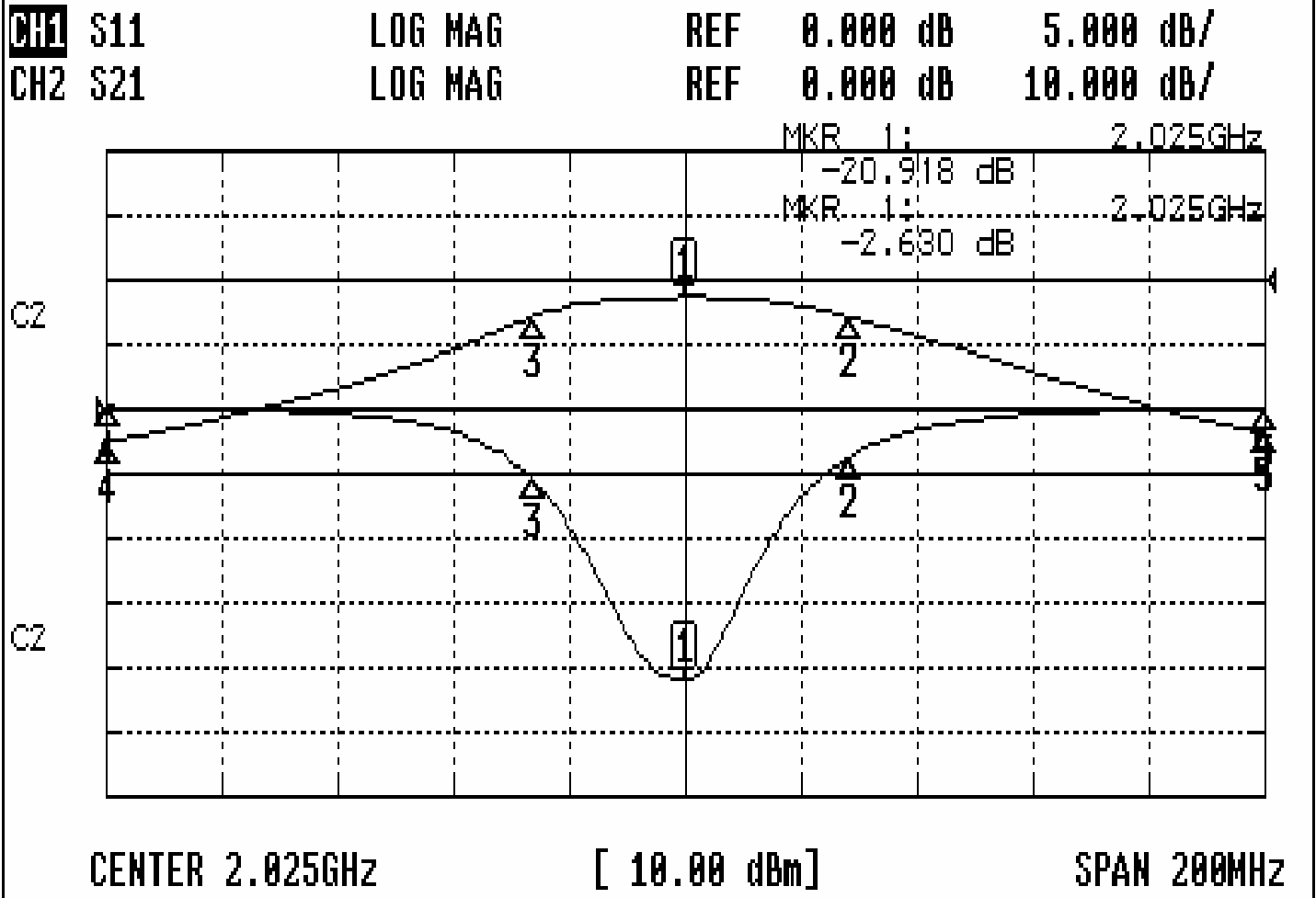
Approval	Supervisor	Designer	Aperture size
C.Y.Chang	C.S.Chang	C.S.Chang	5w2(3.8*4.0)(4.12) 5HW024RB3

TEMWELL CORPORATION

TEMWELL RP:C.S.Chang

Performance-TDW2733B-2025M

0602094DC



CH1 MARKER LIST

1:	2.025	000GHz	-20.918	dB
2:	2.053	000GHz	-3.727	dB
3:	1.998	833GHz	-5.498	dB
4:	1.925	000GHz	0.153	dB
5:	2.125	000GHz	0.130	dB

CH2 MARKER LIST

1:	2.025	000GHz	-2.630	dB
2:	2.053	000GHz	-5.619	dB
3:	1.998	833GHz	-5.622	dB
4:	1.925	000GHz	-25.166	dB
5:	2.125	000GHz	-23.783	dB