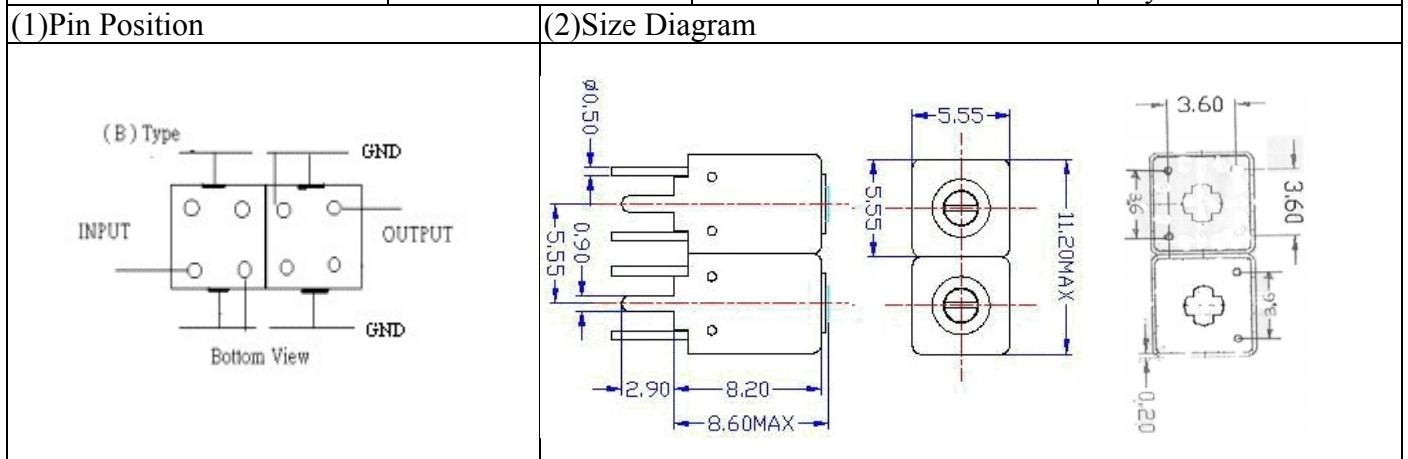


VHF UHF Helical Filter Specification Sheet

Customer Name		Temwell's Part No.	TDW2734B-2075M
Approval No. /dated	0602095APR	Acceptable Specify Fo Range	2051M~2100M
Work Instruction No.	0602095DC	Date	May.11.2006



(3) Electric Character

Item	Specify	Performance
Center Freq.(Fo) +/- 0.5 %	2075 MHz	2075 MHz
Tunable Range:	2075±5 MHz	2075±5 MHz
Insertion Loss	Typ. 3.5 dB	2.65 dB
-3 dB Bandwidth	Typ. 43 MHz	53.8 MHz
Sensitivity (Attenuation)	Fo - 100 MHz	Typ. 21 dBc
	Fo + 100 MHz	Typ. 17 dBc
	Fo - ()MHz	Typ. dBc
	Fo +()MHz	Typ. dBc
Return Loss	Min. 12 dB	26.1 dB
Ripple	< 1 dB	dB
Impedance	In / Out : 50 Ω	In / Out : 50 Ω

(4) Torque for Tuning Screw > 60gf · cm

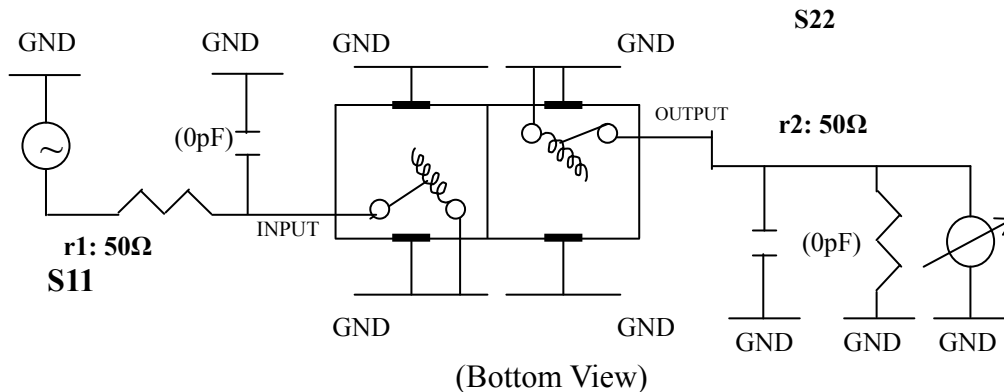
(5) Temperature Condition:

Operating Temperature 0°C ~ +60°C

Storage Temperature -20°C ~ +70°C

(6) Input Power > 0.5Watt

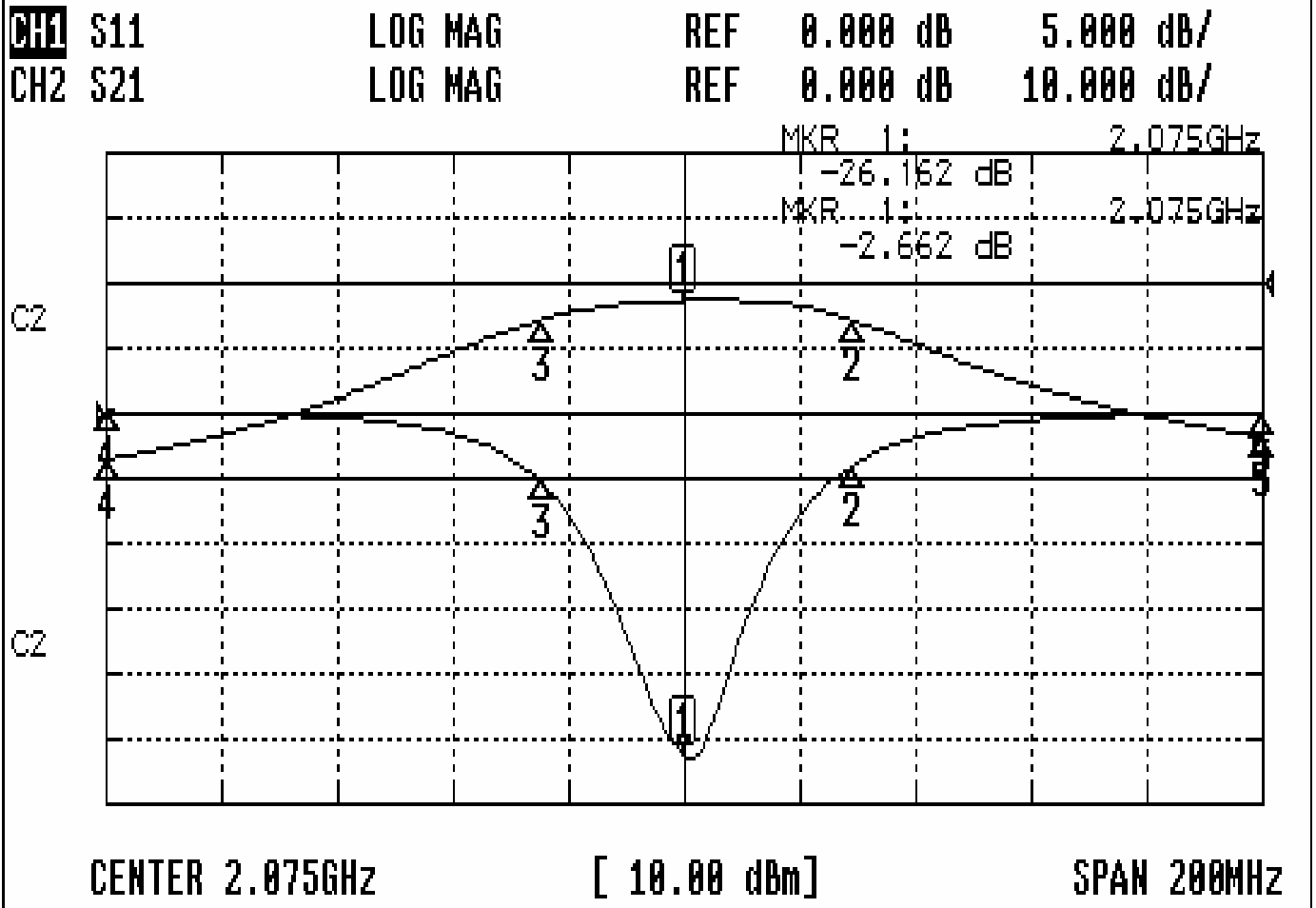
(7) Measuring Circuit: ※Easy to match Impedance 50Ω/ by parallel with about (0) pF.



Approval	Supervisor	Designer	Aperture size
C.Y.Chang	C.S.Chang	C.S.Chang	5w2(3.8*4.0)(4.10) 5HW024RB3
TEMWELL CORPORATION			

Performance-TDW2734B-2075M

0602095DC



CH1 MARKER LIST

1	2.075	000GHz	-26.162	dB
2	2.104	166GHz	-1.100	dB
3	2.050	333GHz	-1.291	dB
4	1.975	000GHz	0.161	dB
5	2.175	000GHz	0.110	dB

CH2 MARKER LIST

1	2.075	000GHz	-2.658	dB
2	2.104	166GHz	-1.640	dB
3	2.050	333GHz	-1.637	dB
4	1.975	000GHz	-27.010	dB
5	2.175	000GHz	-23.585	dB