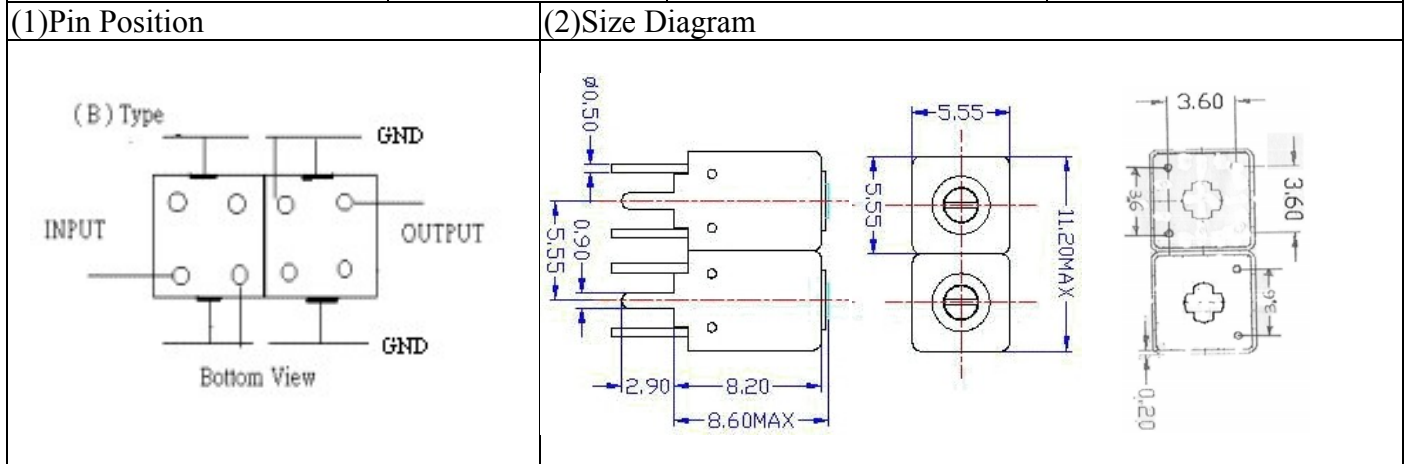


# VHF UHF Helical Filter Specification Sheet

Customer Name		Temwell's Part No.	TDW2737B-2225M
Approval No. /dated	0602098APR	Acceptable Specify Fo Range	2201-2250MHz
Work Instruction No.	0602098DC	Date	May.15.2006



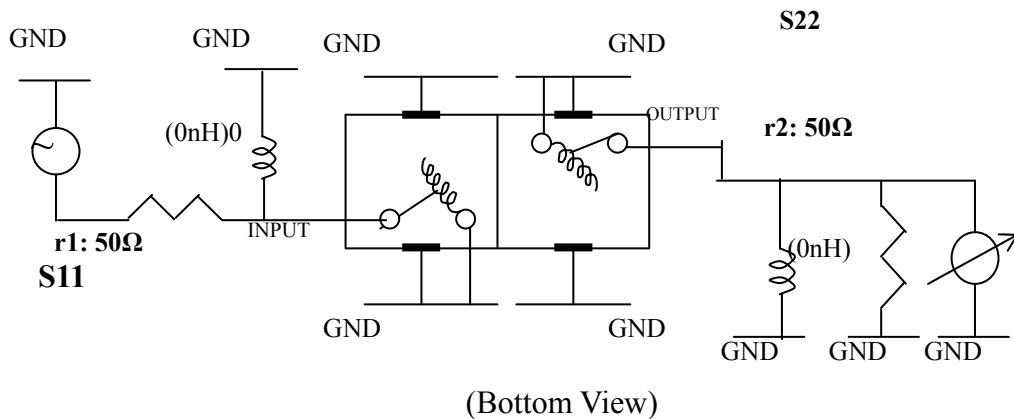
(3) Electric Character			
Item		Specify	Performance
Center Freq.(Fo) +/- 0.5 %		2225 MHz	2225 MHz
Tunable Range:		2225±10 MHz	2225±10 MHz
Insertion Loss		Typ. 4.0 dB	3.06 dB
-3 dB Bandwidth		Typ. 30 MHz	51.7 MHz
Sensitivity (Attenuation)	Fo - 100 MHz	Typ. 33 dBc	36 dBc
	Fo + 100 MHz	Typ. 28 dBc	31 dBc
	Fo - ( )MHz	Typ. dBc	dBc
	Fo +( )MHz	Ty dBc	dBc
Return Loss		Min. 12 dB	40.1 dB
Ripple		< 1 dB	dB
Impedance		In / Out : 50 Ω	In / Out : 50 Ω

(4) Torque for Tuning Screw > 60gf · cm

(5) Temperature Condition:	
Operating Temperature	0°C ~ +60°C
Storage Temperature	-20°C ~ +70°C

(6) Input Power > 0.5Watt

(7) Measuring Circuit: ※Easy to match Impedance 50Ω by parallel with about ( 0 ) nH.



Approval	Supervisor	Designer	Aperture size
C.Y.Chang	C.S.Chang	C.S.Chang	5W2, 3.8*4.0(4.09) 5HW024RB3

TEMWELL CORPORATION

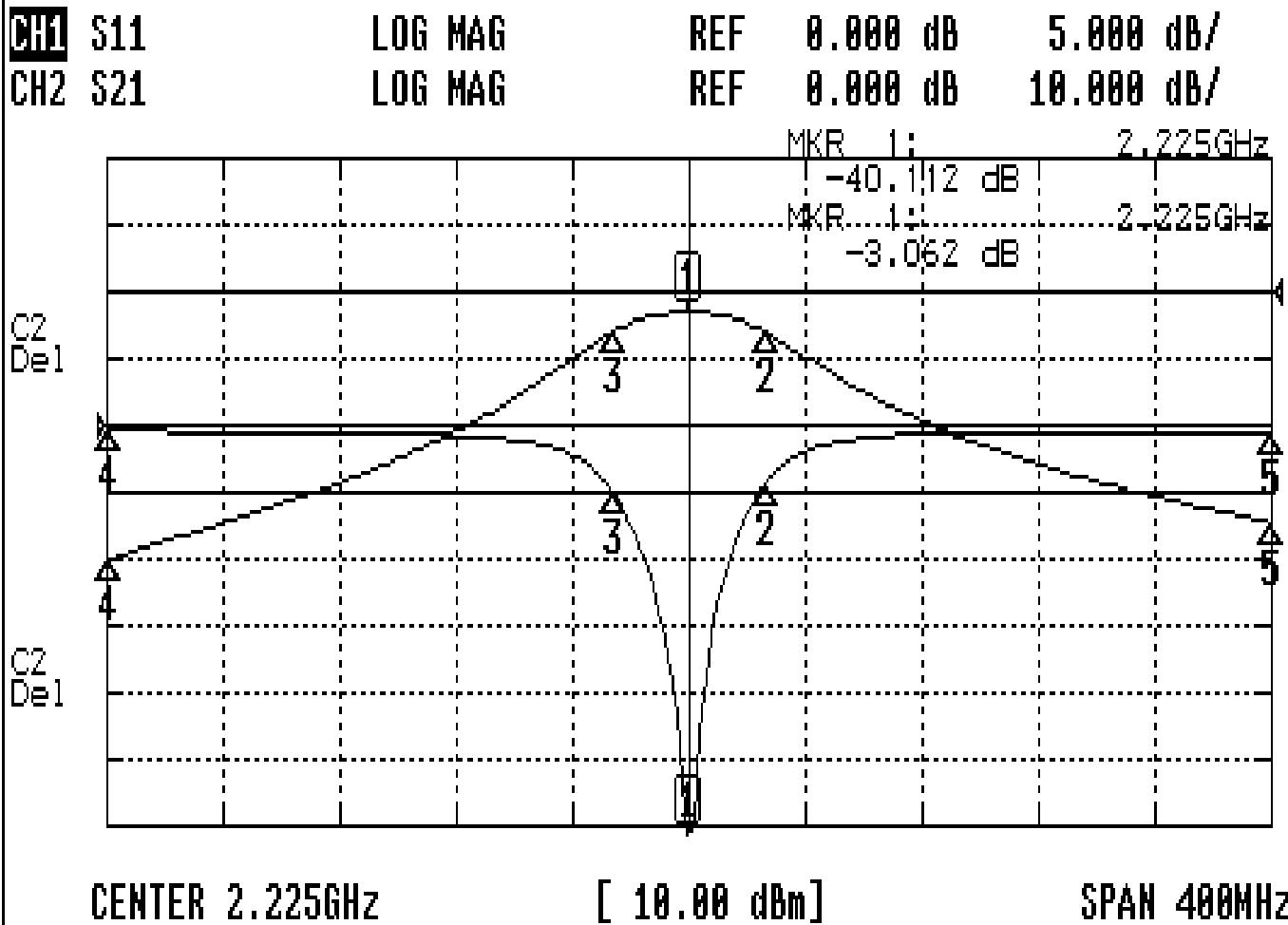
TEMWELL

Form10-5W2B Vision D

RP:C.S.Chang

# Performance-TDW2737B-2225M

## 0602098DC



### CH1 MARKER LIST

1	2.225	000GHz	-40.112	dB
2	2.251	000GHz	-4.441	dB
3	2.199	333GHz	-5.030	dB
4	2.025	000GHz	-0.429	dB
5	2.425	000GHz	-0.478	dB

### CH2 MARKER LIST

1	2.225	000GHz	-3.064	dB
2	2.251	000GHz	-3.064	dB
3	2.199	333GHz	-3.064	dB
4	2.025	000GHz	-3.067	dB
5	2.425	000GHz	-3.038	dB