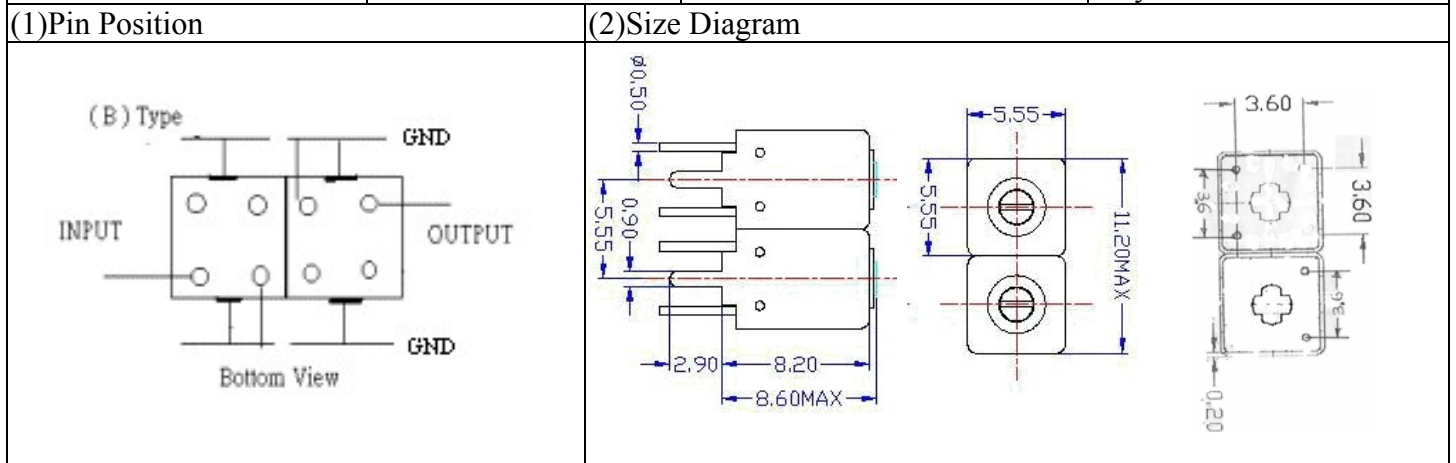


# VHF UHF Helical Filter Specification Sheet

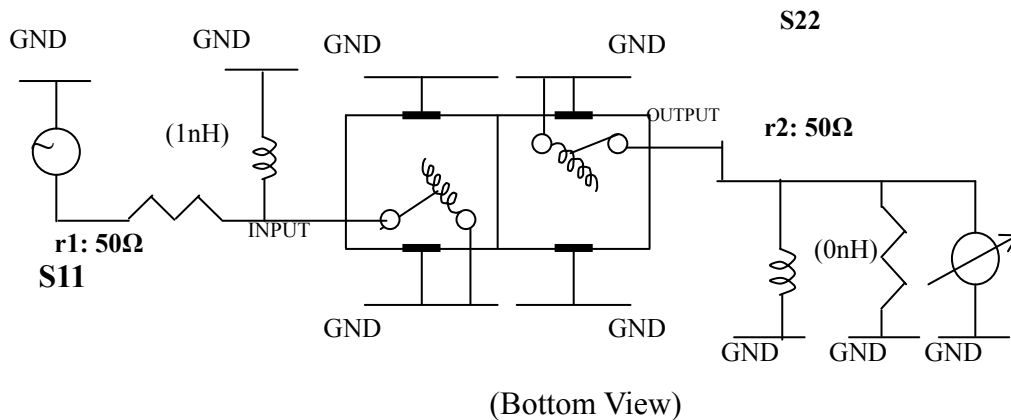
|                      |            |                             |                |
|----------------------|------------|-----------------------------|----------------|
| Customer Name        |            | Temwell's Part No.          | TDW2739B-2325M |
| Approval No. /dated  | 0602100APR | Acceptable Specify Fo Range | 2301-2350MHz   |
| Work Instruction No. | 0602100DC  | Date                        | May.15.2006    |



| (3) Electric Character       |              |                 |  |                 |  |
|------------------------------|--------------|-----------------|--|-----------------|--|
| Item                         |              | Specify         |  | Performance     |  |
| Center Freq.(Fo ) +/- 0.5 %  |              | 2325 MHz        |  | 2325 MHz        |  |
| Tunable Range:               |              | 2325±10 MHz     |  | 2325±10 MHz     |  |
| Insertion Loss               |              | Typ. 3.5 dB     |  | 2.52 dB         |  |
| -3 dB Bandwidth              |              | Typ. 30 MHz     |  | 57.8 MHz        |  |
| Sensitivity<br>(Attenuation) | Fo - 150 MHz | Typ. 24 dBc     |  | 27 dBc          |  |
|                              | Fo + 150 MHz | Typ. 21 dBc     |  | 24 dBc          |  |
|                              | Fo - ( )MHz  | Typ. dBc        |  | dBc             |  |
|                              | Fo + ( )MHz  | Typ. dBc        |  | dBc             |  |
| Return Loss                  |              | Min. 12 dB      |  | 17.7 dB         |  |
| Ripple                       |              | < 1 dB          |  | dB              |  |
| Impedance                    |              | In / Out : 50 Ω |  | In / Out : 50 Ω |  |
| (4) Torque for Tuning Screw  |              | > 60gf • cm     |  |                 |  |

| (5) Temperature Condition: |               |
|----------------------------|---------------|
| Operating Temperature      | 0°C ~ +60°C   |
| Storage Temperature        | -20°C ~ +70°C |
| (6) Input Power            | > 0.5Watt     |

(7) Measuring Circuit: ※Easy to match Impedance 50Ω by parallel with about ( 1 nH)/(0nH)

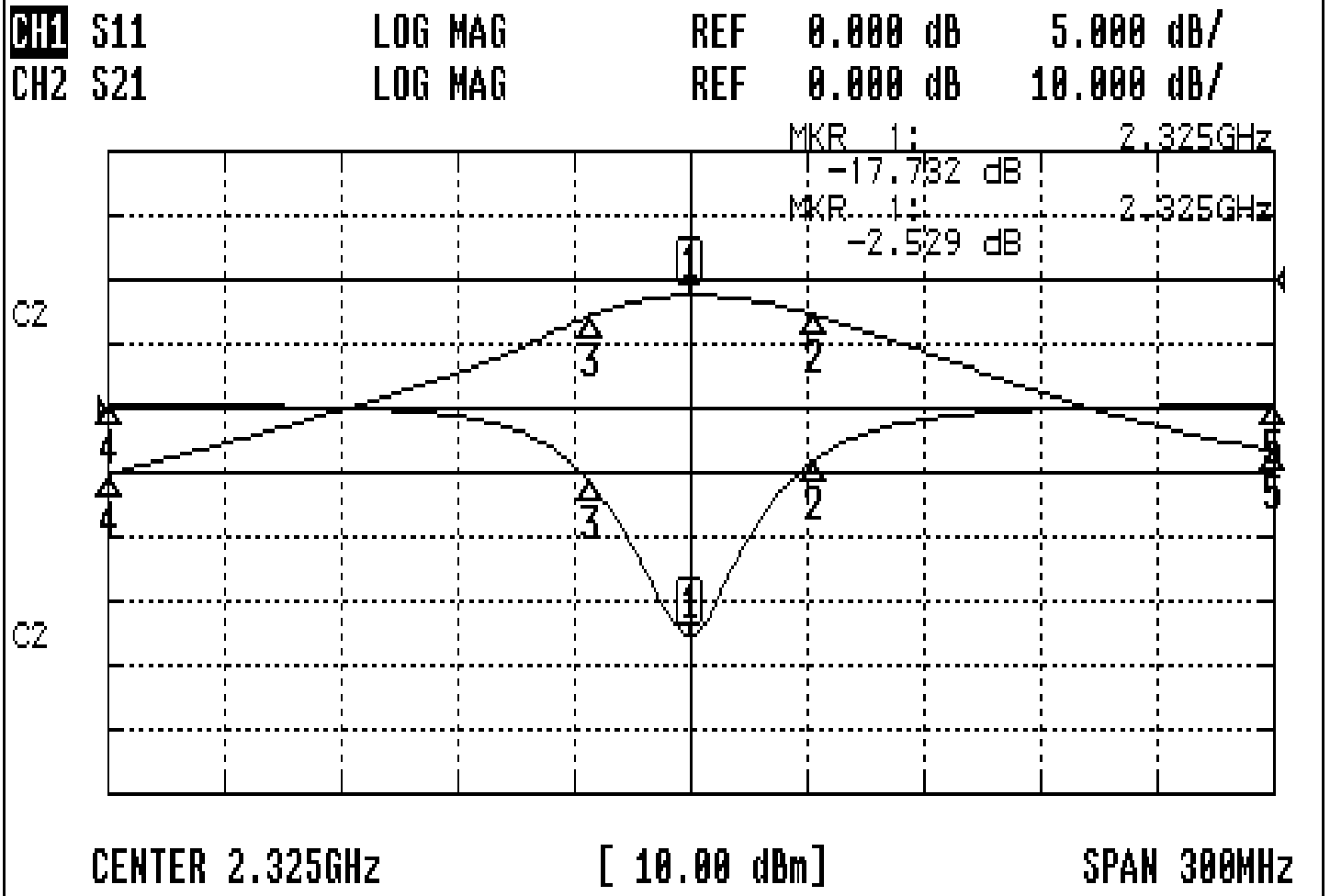


|            |            |            |                                 |
|------------|------------|------------|---------------------------------|
| Approval   | Supervisor | Designer   | Aperture size                   |
| C.Y. Chang | C.S. Chang | C.S. Chang | 5W2, 3.8*4.0(4.08)<br>5HW024RB3 |

TEMWELL CORPORATION

# Performance-TDW2739B-2325M

## 0602100DC



### CH1 MARKER LIST

|   |       |        |         |    |
|---|-------|--------|---------|----|
| 1 | 2.325 | 000GHz | -17.732 | dB |
| 2 | 2.357 | 000GHz | -4.015  | dB |
| 3 | 2.299 | 250GHz | -5.819  | dB |
| 4 | 2.175 | 000GHz | 0.295   | dB |
| 5 | 2.475 | 000GHz | 0.259   | dB |

### CH2 MARKER LIST

|   |       |        |         |    |
|---|-------|--------|---------|----|
| 1 | 2.325 | 000GHz | -2.529  | dB |
| 2 | 2.357 | 000GHz | -1.532  | dB |
| 3 | 2.299 | 250GHz | -1.512  | dB |
| 4 | 2.175 | 000GHz | -30.313 | dB |
| 5 | 2.475 | 000GHz | -26.641 | dB |