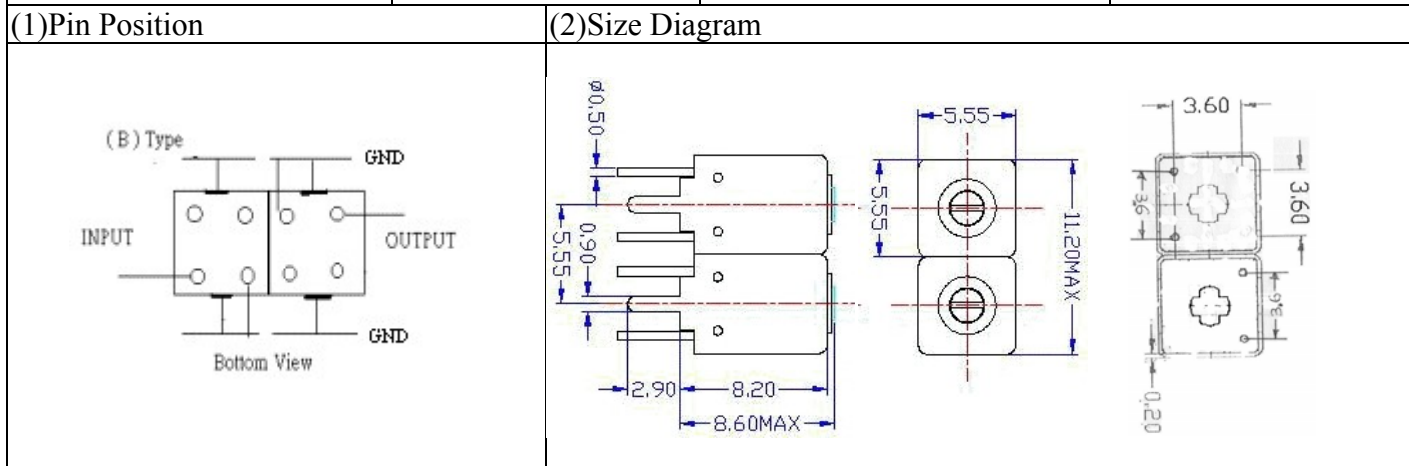


# VHF UHF Helical Filter Specification Sheet

Customer Name		Temwell's Part No.	TDW2842B-1450M
Approval No. /dated	0604027APR	Acceptable Specify Fo Range	1401~1450 MHZ
Work Instruction No.	0604027DC	Date	Oct.12.2006



(3) Electric Characteristic

Item	Specify	Performance	
Center Freq.(Fo) +/- 0.5 %	1450 MHz	1450 MHz	
Tunable Range:	1450±5 MHz	1450±5 MHz	
Insertion Loss	Typ. 2.0 dB	0.72 dB	
-3 dB Bandwidth	Typ. 168 MHz	176 MHz	
Sensitivity (Attenuation)	Fo - 200 MHz	Typ. 14 dBc	17 dBc
	Fo + 200 MHz	Typ. 9 dBc	12 dBc
	Fo - ( )MHz	Typ. dBc	dBc
	Fo + ( )MHz	Typ. dBc	dBc
Return Loss	Min. 12 dB	27.8 dB	
Ripple	< 1 dB	dB	
Impedance	In / Out : 50 Ω	In / Out : 50 Ω	

(4) Torque for Tuning Screw > 60gf · cm

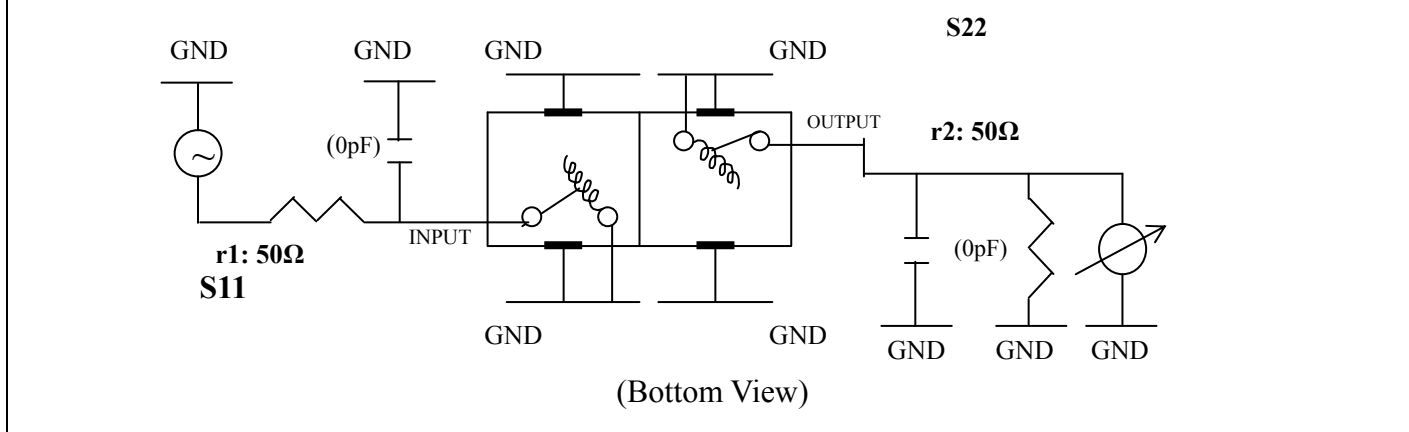
(5) Temperature Condition:

Operating Temperature	0°C ~ +60°C
-----------------------	-------------

Storage Temperature	-20°C ~ +70°C
---------------------	---------------

(6) Input Power > 0.5Watt

(7) Measuring Circuit: ※Easy to match Impedance 50Ω/ by parallel with about (0) pF.(0)pF



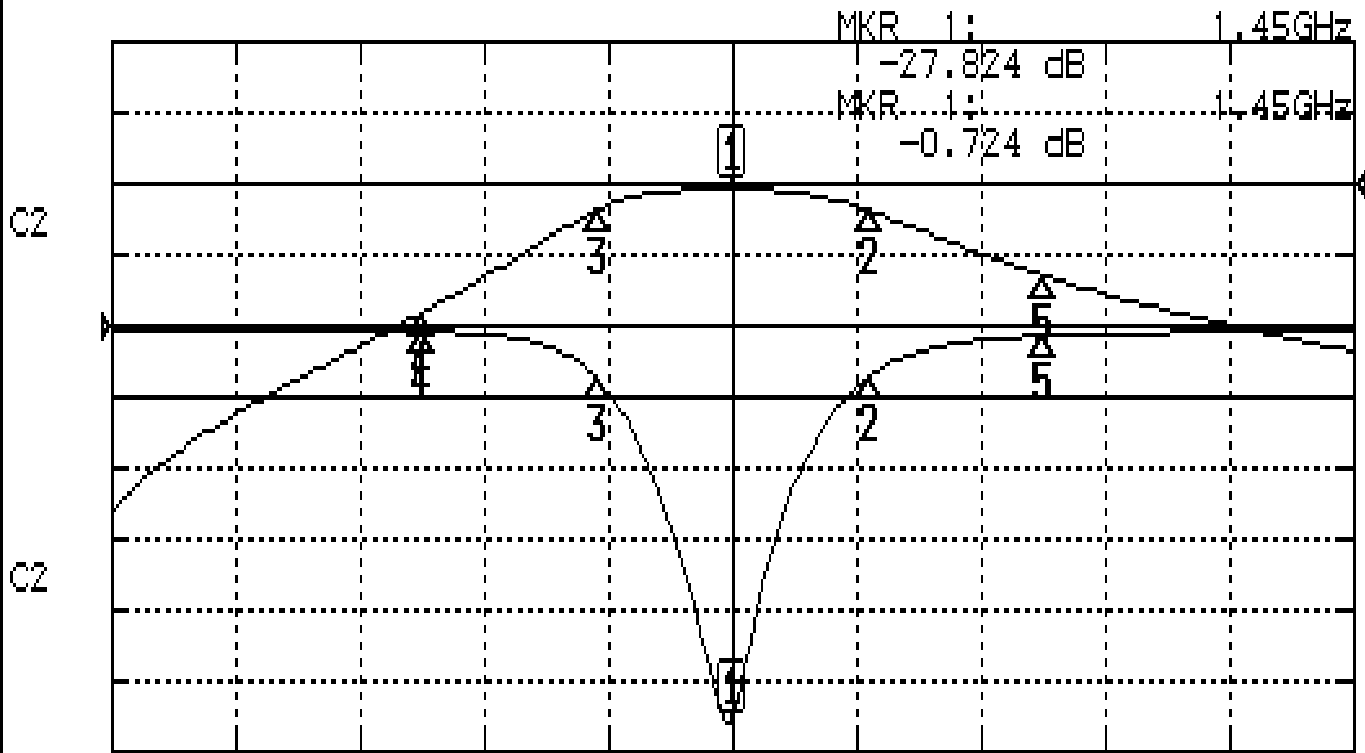
Approval C.Y.Chang	Supervisor C.S.Chang	Designer W.W.Wang	Aperture size 5w2(3.8*5.1) 5HW046RB4
-----------------------	-------------------------	----------------------	--

TEMWELL CORPORATION

# Performance-TDW2842B-1450M

## 0604027DC

<b>CH1</b>	S11	LOG MAG	REF	0.000 dB	5.000 dB/
<b>CH2</b>	S21	LOG MAG	REF	0.000 dB	10.000 dB/



**CENTER 1.45GHz**

**[ 10.00 dBm ]**

**SPAN 800MHz**

### CH1 MARKER LIST

1:	1.450 000GHz	-27.843 dB
2:	1.538 000GHz	-13.540 dB
3:	1.362 000GHz	-13.556 dB
4:	1.250 000GHz	-13.556 dB
5:	1.650 000GHz	-13.629 dB

### CH2 MARKER LIST

1:	1.450 000GHz	-0.724 dB
2:	1.538 000GHz	-3.712 dB
3:	1.362 000GHz	-3.736 dB
4:	1.250 000GHz	-10.080 dB
5:	1.650 000GHz	-12.841 dB