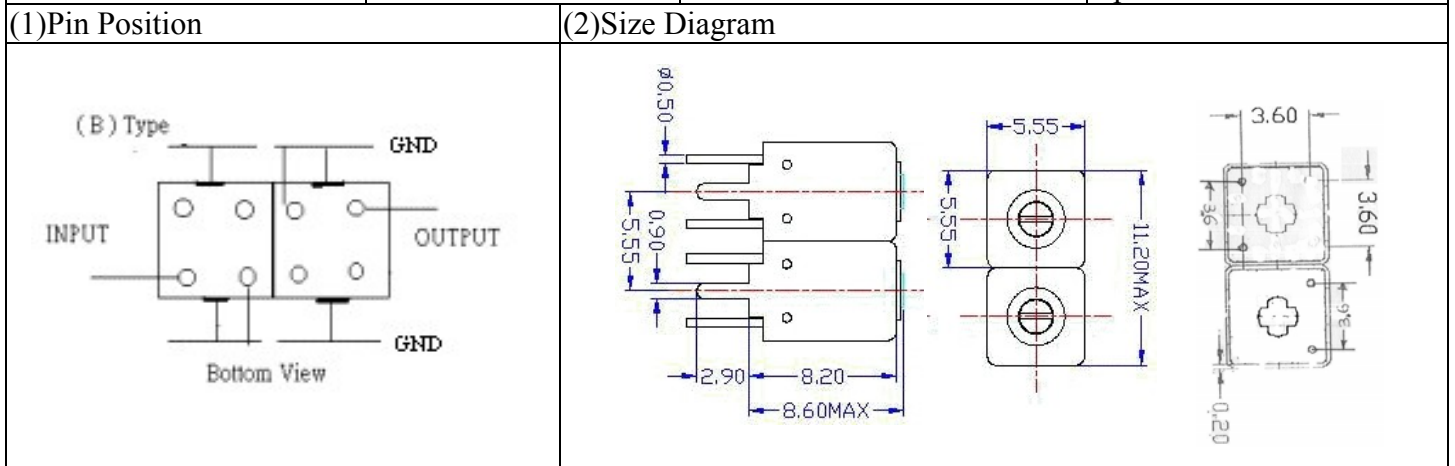


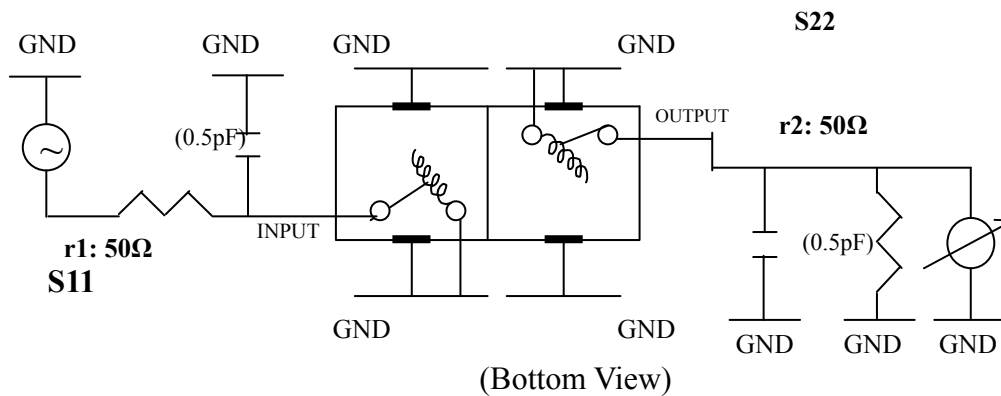
VHF UHF Helical Filter Specification Sheet

Customer Name		Temwell's Part No.	TDW2845B-1450M
Approval No. /dated	0605032APR	Acceptable Specify Fo Range	1401M~1450M
Work Instruction No.	0605032DC	Date	Apr.28.2006



(3) Electric Character		Item	Specify	Performance
Center Freq.(Fo) +/- 0.5 %			1450 MHz	1450 MHz
Tunable Range:			1450±5 MHz	1450±5 MHz
Insertion Loss		Typ.	2.0 dB	0.79 dB
-3 dB Bandwidth		Typ.	122 MHz	130.0 MHz
Sensitivity (Attenuation)	Fo - 200 MHz	Typ.	24 dBc	27 dBc
	Fo + 200 MHz	Typ.	16 dBc	19 dBc
	Fo - ()MHz	Typ.	dBc	dBc
	Fo + ()MHz	Typ.	dBc	dBc
Return Loss		Min.	12 dB	16.7 dB
Ripple			< 1 dB	dB
Impedance			In / Out : 50 Ω	In / Out : 50 Ω
(4) Torque for Tuning Screw			> 60gf • cm	
(5) Temperature Condition:				
Operating Temperature			0°C ~ +60°C	
Storage Temperature			-20°C ~ +70°C	
(6) Input Power			> 0.5Watt	

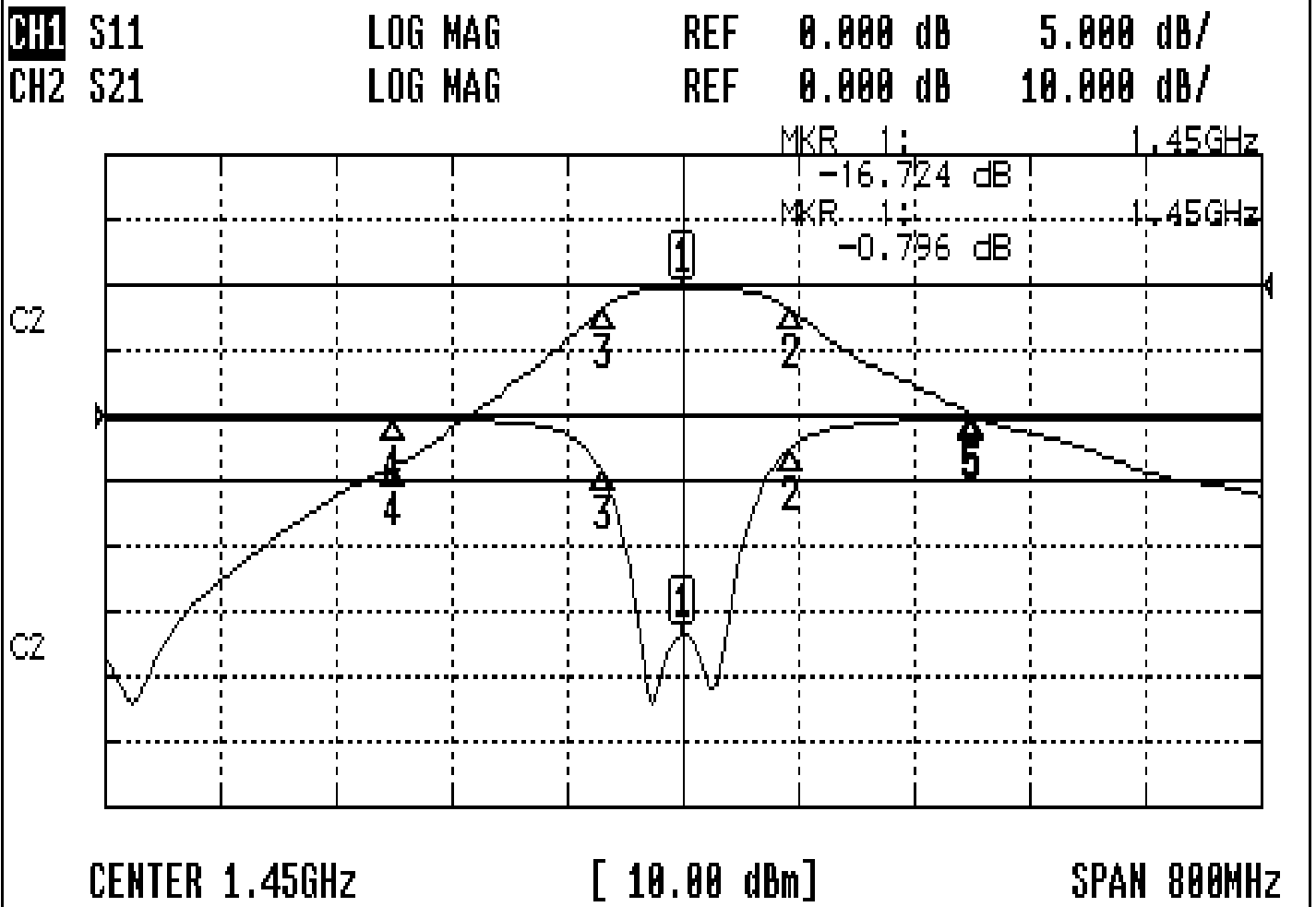
(7) Measuring Circuit: ※ Easy to match Impedance 50Ω/ by parallel with about (0.5)(0.5)pF.



Approval	Supervisor	Designer	Aperture size
C.Y. Chang	C.S. Chang	P.H. Chiang	5w2(3.8*5.1)(5.10) 5HW046RB3.2
TEMWELL		CORPORATION	

Performance-TDW2845B-1450M

0605032DC



CH1 MARKER LIST

Marker	Frequency (GHz)	Magnitude (dB)
1	1.450 000	-16.724
2	1.524 000	-2.586
3	1.394 000	-4.197
4	1.250 000	-0.288
5	1.650 000	-0.290

CH2 MARKER LIST

Marker	Frequency (GHz)	Magnitude (dB)
1	1.450 000	-0.796
2	1.524 000	-3.752
3	1.394 000	-3.774
4	1.250 000	-27.740
5	1.650 000	-19.746