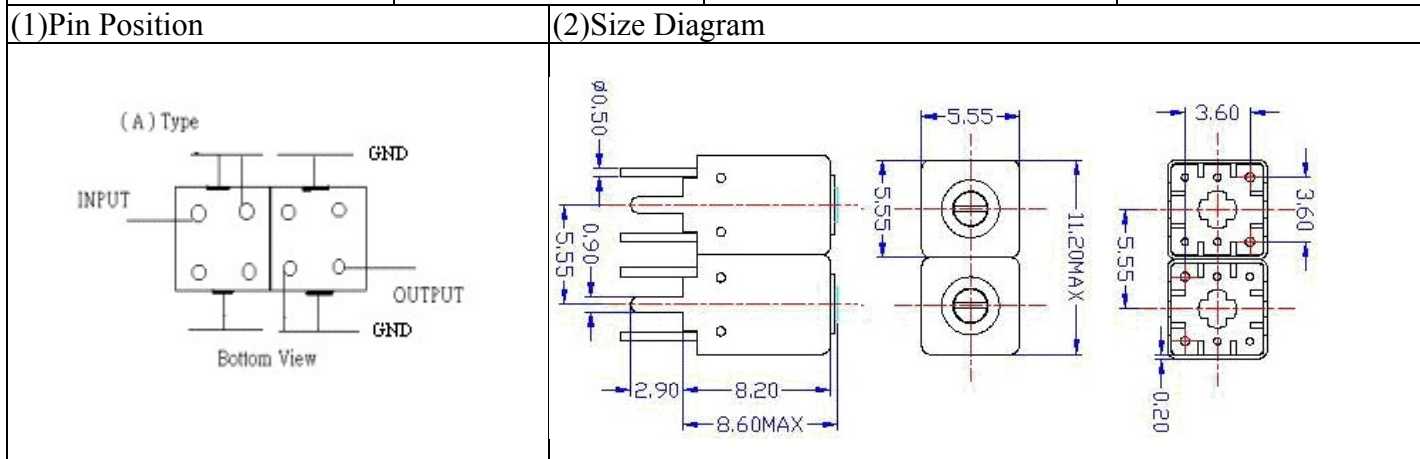


VHF UHF Helical Filter Specification Sheet

Customer Name		Temwell's Part No.	TDW2888A-325M
Approval No. /dated	0806011CD	Temwell's print name.	2888A 325M
Work Instruction No.	0806011CD	Date	June.10.2008



(3) Electric Characteristic

Item	Specify	Performance	
Center Freq.(Fo) +/- 0.5 %	325 MHz	325 MHz	
Tunable Range:	325±4 MHz	325±4 MHz	
Insertion Loss	Typ. 3.5 dB	2.24 dB	
-3 dB Bandwidth	Typ. 10 MHz	15.2 MHz	
Sensitivity (Attenuation)	Fo - 50 MHz	Typ. 22 dBc	25 dBc
	Fo + 50 MHz	Typ. 38 dBc	41 dBc
	Fo - ()MHz	Typ. dBc	dBc
	Fo + ()MHz	Typ. dBc	dBc
Return Loss	Min. 12 dB	22.9 dB	
Ripple	< 1 dB	dB	
Impedance	In / Out : 50 Ω	In / Out : 50 Ω	
(4) Torque for Tuning Screw	> 100gf · cm		

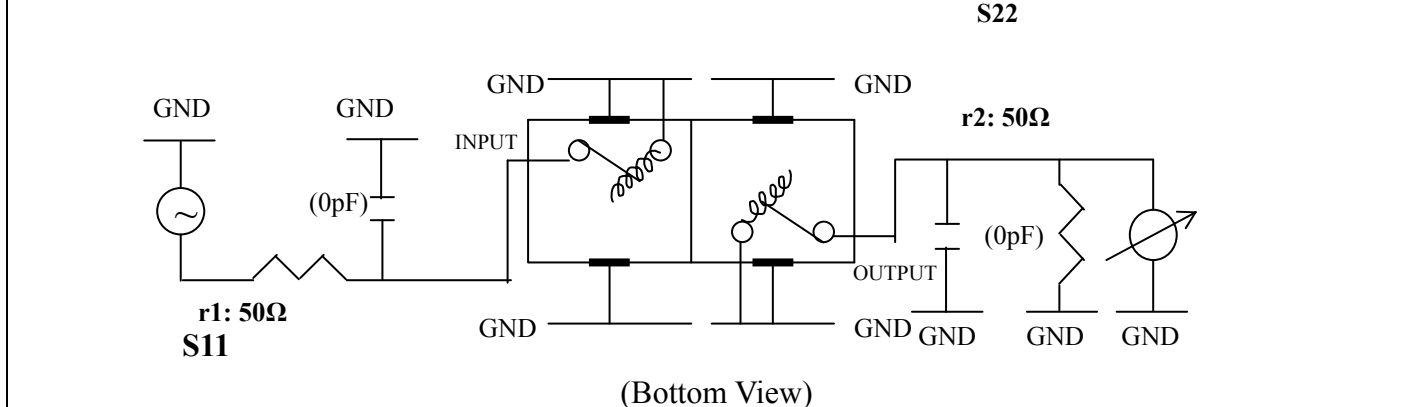
(5) Temperature Condition:

Operating Temperature	0°C ~ +60°C
Storage Temperature	-20°C ~ +70°C

(6) Input Power

> 0.5Watt

(7) Measuring Circuit: ※Easy to match Impedance 50Ω/ by parallel with about (0) pF.

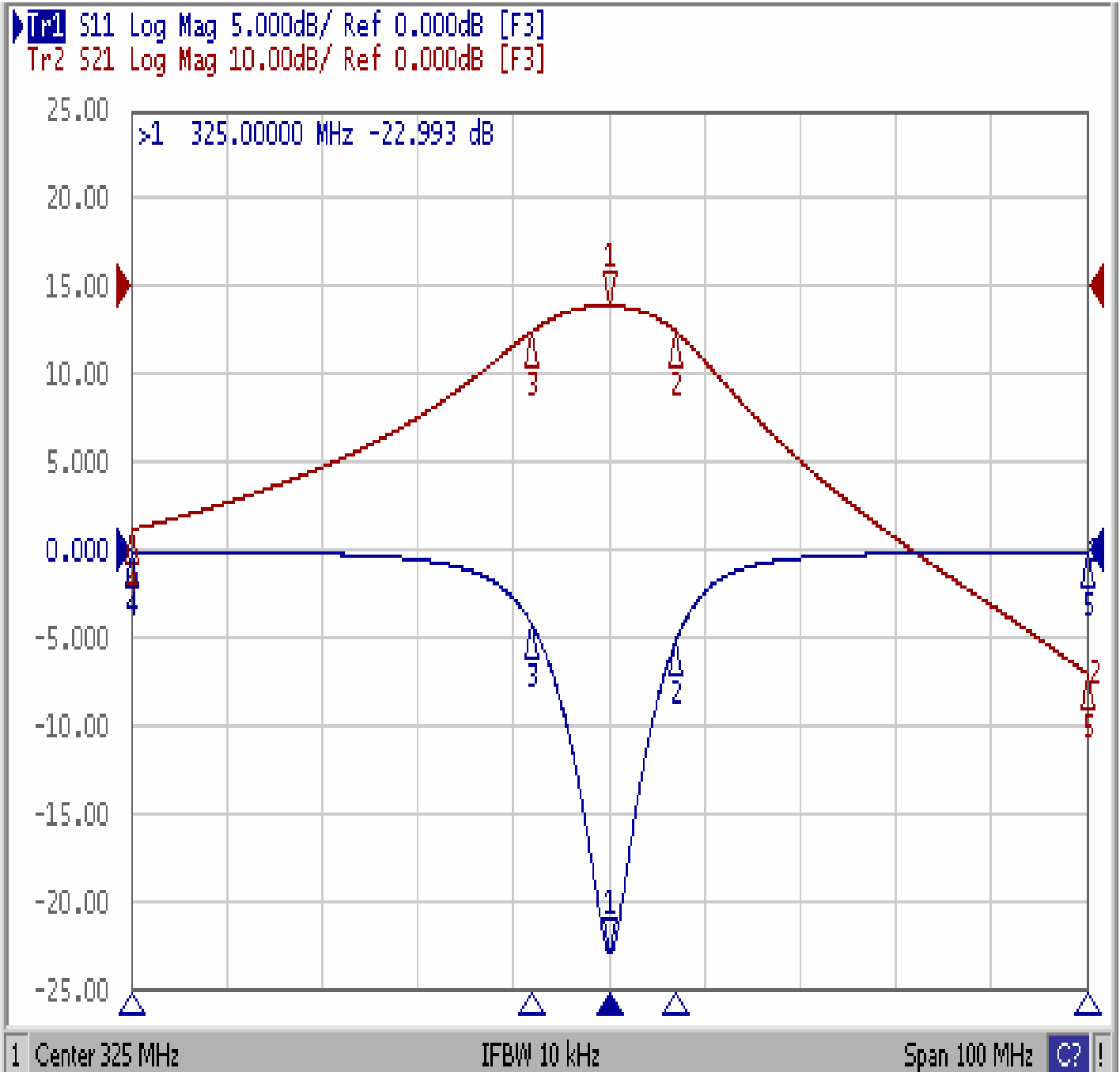


Approval	Supervisor	Designer	Aperture size
C.Y.Chang	C.S.Chang	C.S.Chang	5W2S(3.8*3.5) 5HW020RB3.5

TEMWELL CORPORATION

Performance-TDW2888A-325M

0806011CD



Ch1	Tr1	S11	>1	325.00000	MHz	-22.993	dB
Ch1	Tr1	S11	2	332.03563	MHz	-5.1284	dB
Ch1	Tr1	S11	3	316.82613	MHz	-4.1524	dB
Ch1	Tr1	S11	4	275.00000	MHz	-0.1186	dB
Ch1	Tr1	S11	5	375.00000	MHz	-0.1474	dB
Ch1	Tr2	S21	1	325.00000	MHz	-2.2409	dB
Ch1	Tr2	S21	2	332.03563	MHz	-5.2208	dB
Ch1	Tr2	S21	3	316.82613	MHz	-5.2389	dB
Ch1	Tr2	S21	4	275.00000	MHz	-27.736	dB
Ch1	Tr2	S21	5	375.00000	MHz	-44.137	dB