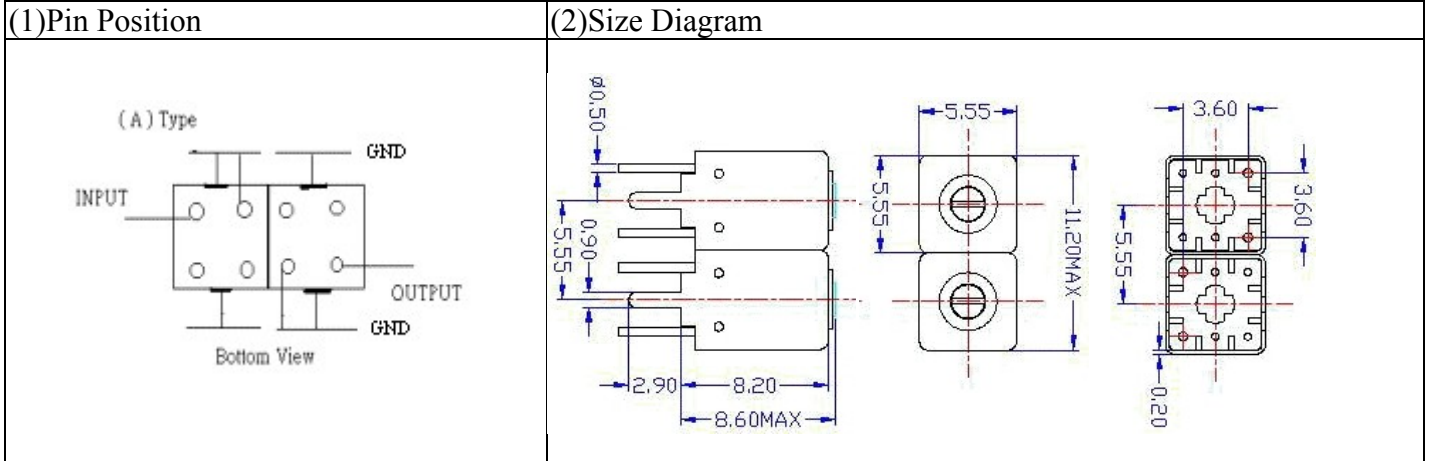


VHF UHF Helical Filter Specification Sheet

Customer Name		Temwell's Part No.	TDW2895A-375M
Approval No. /dated	0806006CD	Temwell's print name.	2895A 375M
Work Instruction No.	0806006CD	Date	June.09.2008



(3) Electric Chararistic

Item	Specify	Performance	
Center Freq.(Fo) +/- 0.5 %	375 MHz	375 MHz	
Tunable Range:	375±4 MHz	375±4 MHz	
Insertion Loss	Typ. 2.5 dB	1.49 dB	
-3 dB Bandwidth	Typ. 20 MHz	25.2 MHz	
Sensitivity (Attenuation)	Fo - 50 MHz	Typ. 17 dBc	20 dBc
	Fo + 50 MHz	Typ. 24 dBc	27 dBc
	Fo - ()MHz	Typ. dBc	dBc
	Fo + ()MHz	Typ. dBc	dBc
Return Loss	Min. 12 dB	34.6 dB	
Ripple	< 1 dB	dB	
Impedance	In / Out : 50 Ω	In / Out : 50 Ω	

(4) Torque for Tuning Screw > 60gf · cm

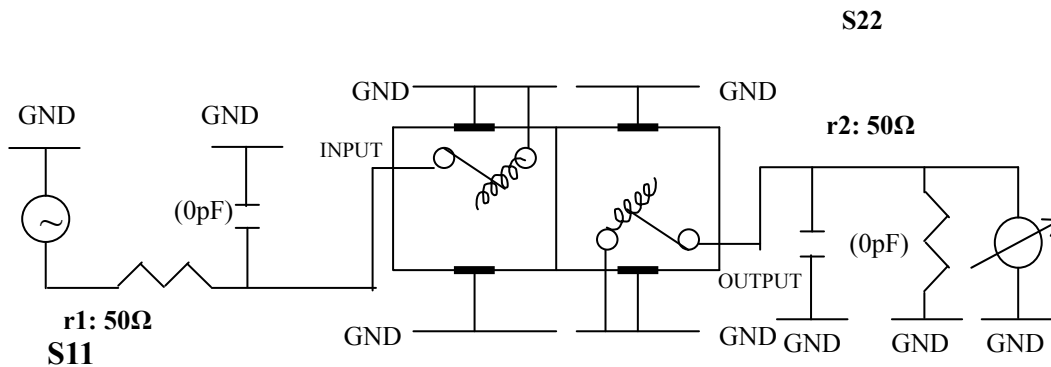
(5) Temperature Condition:

Operating Temperature 0°C ~ +60°C

Storage Temperature -20°C ~ +70°C

(6) Input Power > 0.5Watt

(7) Measuring Circuit: ※Easy to match Impedance 50Ω/ by parallel with about (0) pF.



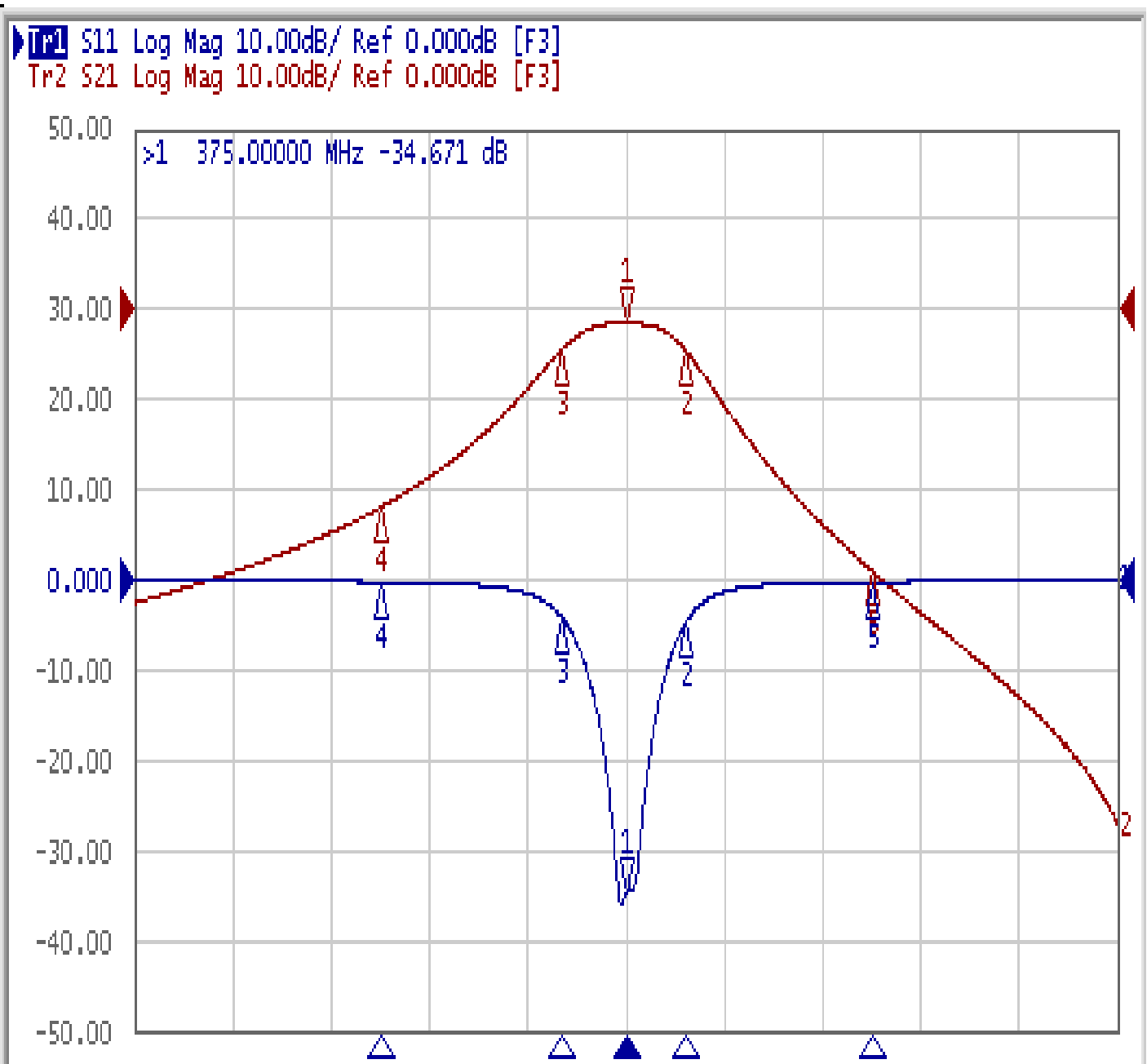
(Bottom View)

Approval	Supervisor	Designer	Aperture size
C.Y.Chang	C.S.Chang	C.S.Chang	5W2S(3.8*4.0) 5HW020RB3.5

TEMWELL CORPORATION

Performance-TDW2895A-375M

0806006CD



1 Center 375 MHz

IFBW 10 kHz

Span 200 MHz



Ch1	Tr1	S11	>1	375.00000	MHz	-34.671	dB
Ch1	Tr1	S11	2	387.03875	MHz	-4.7717	dB
Ch1	Tr1	S11	3	361.82300	MHz	-4.0961	dB
Ch1	Tr1	S11	4	325.00000	MHz	-0.2170	dB
Ch1	Tr1	S11	5	425.00000	MHz	-0.2212	dB
Ch1	Tr2	S21	1	375.00000	MHz	-1.4921	dB
Ch1	Tr2	S21	2	387.03875	MHz	-4.4964	dB
Ch1	Tr2	S21	3	361.82300	MHz	-4.5248	dB
Ch1	Tr2	S21	4	325.00000	MHz	-21.947	dB
Ch1	Tr2	S21	5	425.00000	MHz	-28.979	dB