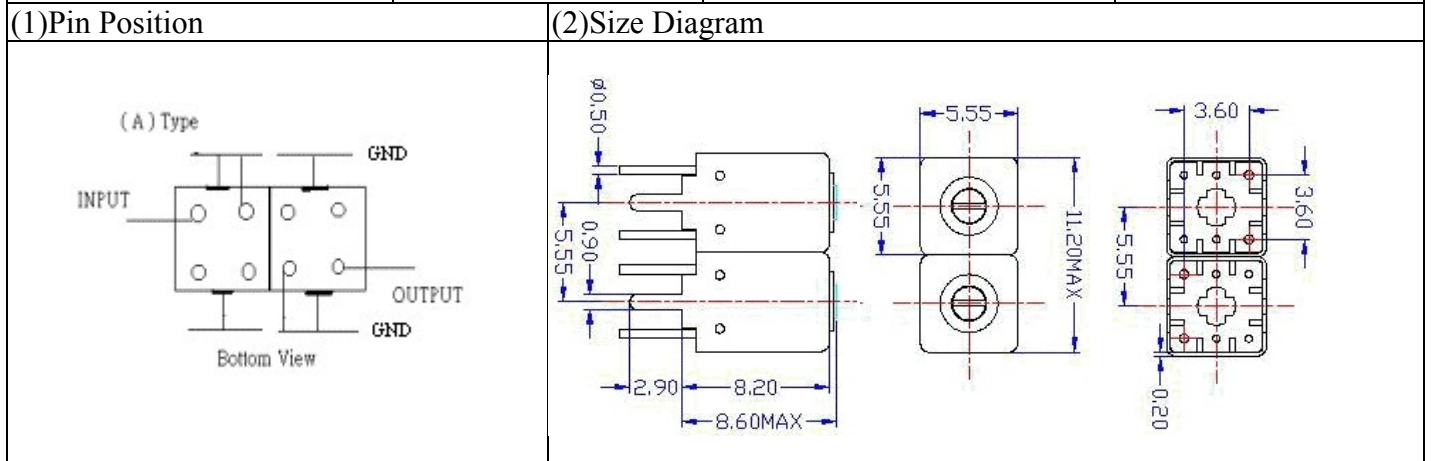


VHF UHF Helical Filter Specification Sheet

Customer Name		Temwell's Part No.	TDW2898A-525M
Approval No. /dated	0806009CD	Temwell's print name.	2898A 525M
Work Instruction No.	0806009CD	Date	June.09.2008



(3) Electric Characteristic

Item	Specify	Performance	
Center Freq.(Fo) +/- 0.5 %	525 MHz	525 MHz	
Tunable Range:	525±5 MHz	525±5 MHz	
Insertion Loss	Typ. 2.5 dB	1.69 dB	
-3 dB Bandwidth	Typ. 20 MHz	26.5 MHz	
Sensitivity (Attenuation)	Fo - 50 MHz	Typ. 12 dBc	15 dBc
	Fo + 50 MHz	Typ. 23 dBc	26 dBc
	Fo - ()MHz	Typ. dBc	dBc
	Fo + ()MHz	Typ. dBc	dBc
Return Loss	Min. 12 dB	21.1 dB	
Ripple	< 1 dB	dB	
Impedance	In / Out : 50 Ω	In / Out : 50 Ω	

(4) Torque for Tuning Screw > 60gf · cm

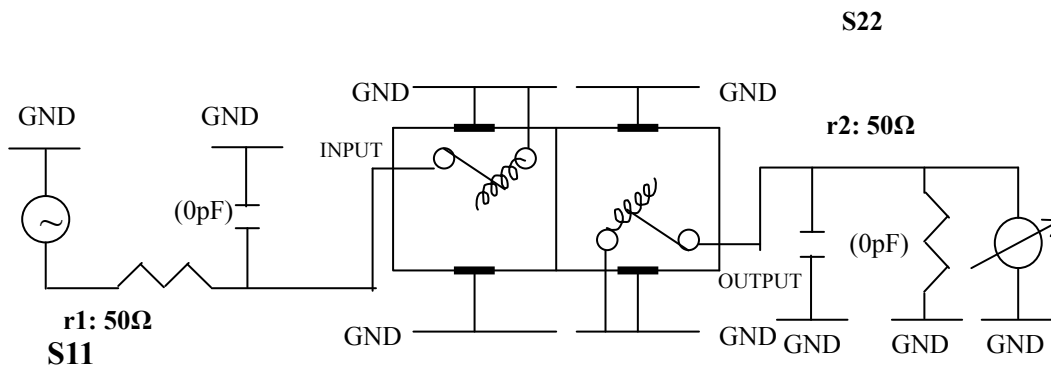
(5) Temperature Condition:

Operating Temperature 0°C ~ +60°C

Storage Temperature -20°C ~ +70°C

(6) Input Power > 0.5Watt

(7) Measuring Circuit: ※Easy to match Impedance 50Ω/ by parallel with about (0) pF.

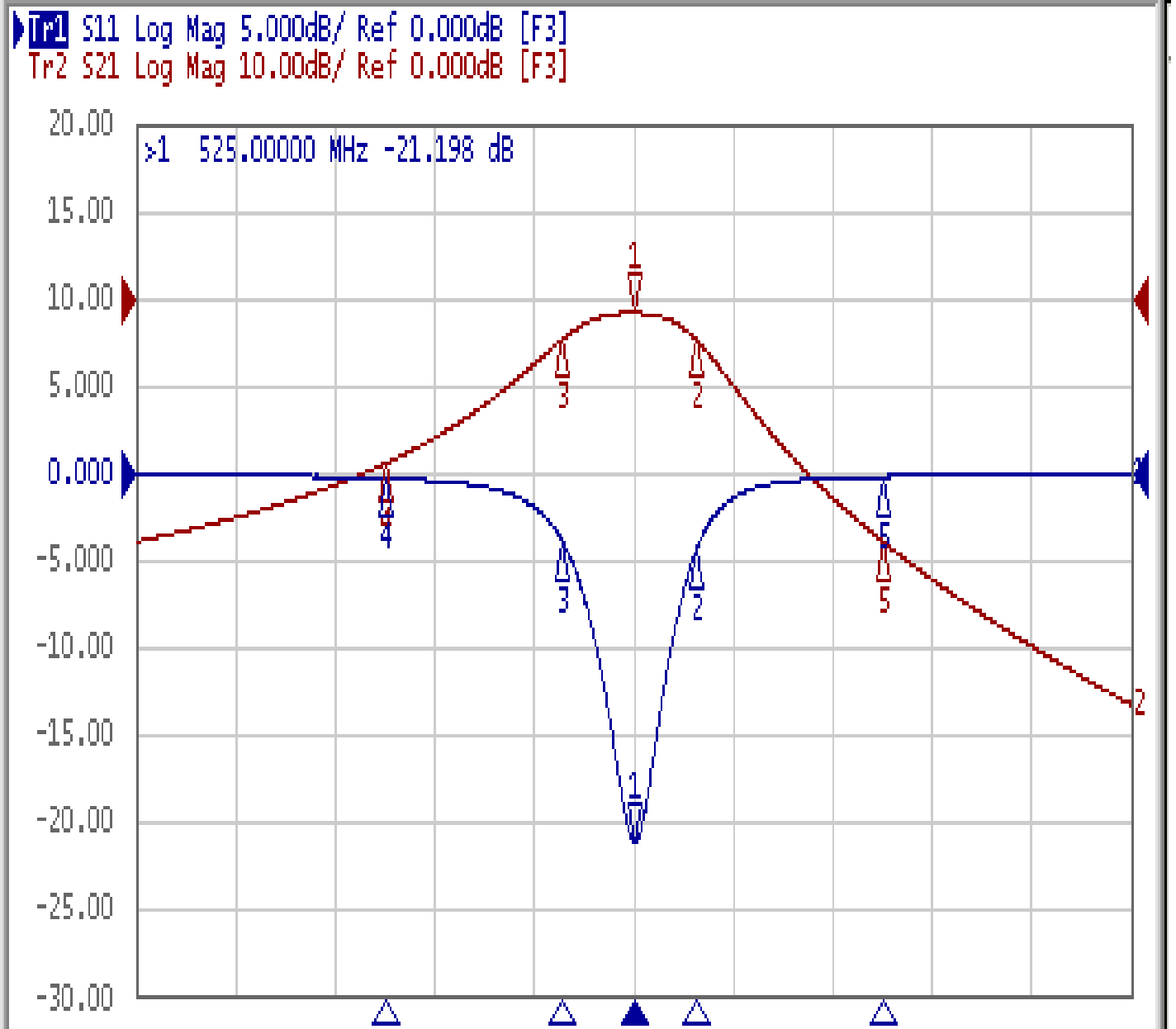


Approval	Supervisor	Designer	Aperture size
C.Y.Chang	C.S.Chang	C.S.Chang	5W2S(3.8*4.0) 5HW020RB3.5

TEMWELL CORPORATION

Performance-TDW2898A-525M

0806009CD



1 Center 525 MHz

IFBW 10 kHz

Span 200 MHz

Ch1	Tr1	S11	>1	525.00000	MHz	-21.198	dB
Ch1	Tr1	S11	2	537.39100	MHz	-4.5597	dB
Ch1	Tr1	S11	3	510.80500	MHz	-4.0347	dB
Ch1	Tr1	S11	4	475.00000	MHz	-0.3180	dB
Ch1	Tr1	S11	5	575.00000	MHz	-0.2263	dB
Ch1	Tr2	S21	1	525.00000	MHz	-1.6920	dB
Ch1	Tr2	S21	2	537.39100	MHz	-4.6742	dB
Ch1	Tr2	S21	3	510.80500	MHz	-4.6078	dB
Ch1	Tr2	S21	4	475.00000	MHz	-18.980	dB
Ch1	Tr2	S21	5	575.00000	MHz	-27.920	dB